

Date : Apr.5,2012

Temperature increase of main components: 主要部品温度上昇

Model: TUNS50F series

1. Conditions

- (1) Input : AC 85 ~ 264 [V]
- (2) Output : Rated output \* Derating is required at AC85 - 90[V] input
- (3) Aluminum base plate temp : 85 [°C] (Fig1.1)
- (4) Ambient temp : 25 [°C]

2. Result

No.	Parts name	Symbol No.	Increase ( $\Delta T$ )						Rated temp. [°C]	Reference
			[deg]							
			05	12	24					
1	Input Diode	D301	18.2	17.9	18.1				150	Junction Temp.
2	Choke Coil(PFC)	L11	38.3	29.8	25.8				155	
3	Rectified Diode(PFC)	D303	19.1	17.2	18.6				150	Junction Temp.
4	Switching Moss-FET(PFC)	TR301	20.7	17.6	18.9				150	Junction Temp.
5	Power Control IC(PFC)	IC101	17.3	17.3	17.3				150	Junction Temp.
6	Switching Moss-FET	TR401	15.3	12.6	14.5				150	Junction Temp.
7	Transformer	T11	28.3	34.3	36.9				155	
8	Rectified Diode(Output)	SS51	12.6	7.0	5.4				150	Junction Temp.
9	Choke Coil(Output)	L51	7.0	2.8	1.9				120	
10	Power Control IC	IC201	23.0	23.0	23.0				150	Junction Temp.
11										
12										
13										
14										
15										
16										
17										
18										
19										
20										

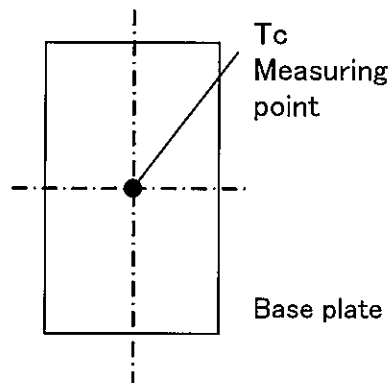


Fig.1.1 Measuring point of aluminum base plate temperature

\* All information presented herein are not guaranteed.