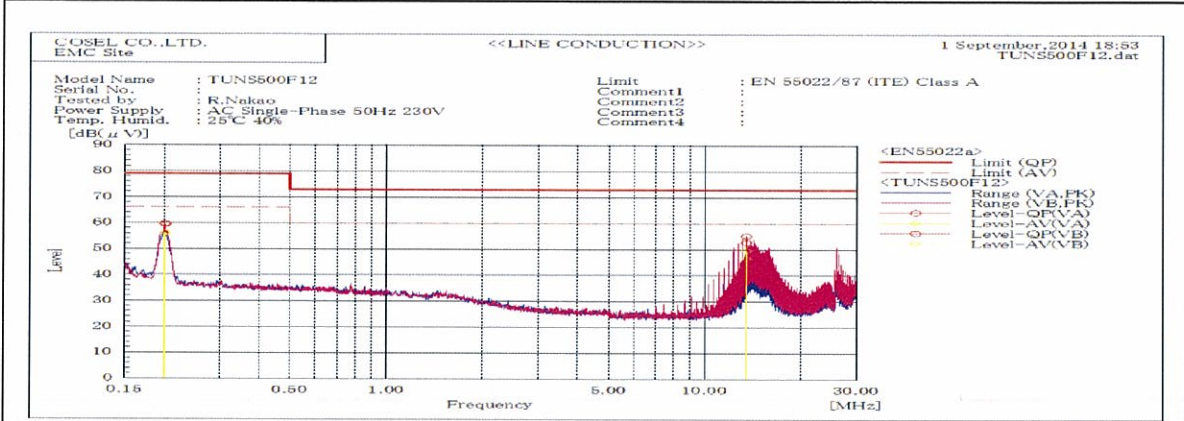
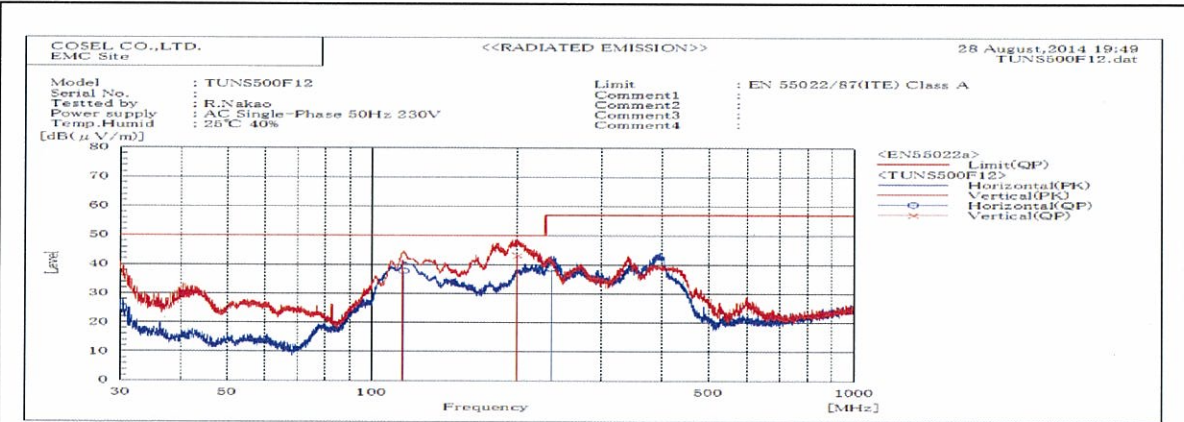




| DATA SHEET | | Date | 14-Sep-14 |
|------------|--|-----------|------------|
| Model | TUN500F12 | Temp. | 25 degreeC |
| Test | EMI Line conduction & Radiated emission | Humid. | 40 %RH |
| | | Tested by | R.Nakao |



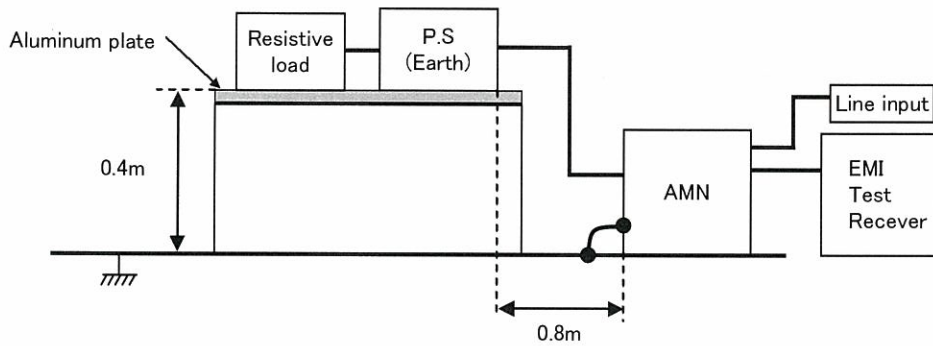
| Frequency MHz | Harm | Line Phase | Reading dB(μV) | | Factor dB | Level dB(μV) | | Limit dB(μV) | | Margin dB | | Pass/ Fail | Remark |
|------------------|------|---------------|-------------------|------|--------------|-----------------|------|-----------------|------|--------------|------|---------------|--------|
| | | | QP | AV | | QP | AV | QP | AV | QP | AV | | |
| 0.20205 | | VA | 39.3 | 36.0 | 20.2 | 59.5 | 56.2 | 79.0 | 66.0 | 19.5 | 9.8 | Pass | |
| 0.20064 | | VB | 39.4 | 35.9 | 20.2 | 59.6 | 56.1 | 79.0 | 66.0 | 19.4 | 9.9 | Pass | |
| 13.48245 | | VA | 31.9 | 25.8 | 20.8 | 52.7 | 46.6 | 73.0 | 60.0 | 20.3 | 13.4 | Pass | |
| 13.48335 | | VB | 34.5 | 28.9 | 20.7 | 55.2 | 49.6 | 73.0 | 60.0 | 17.8 | 10.4 | Pass | |



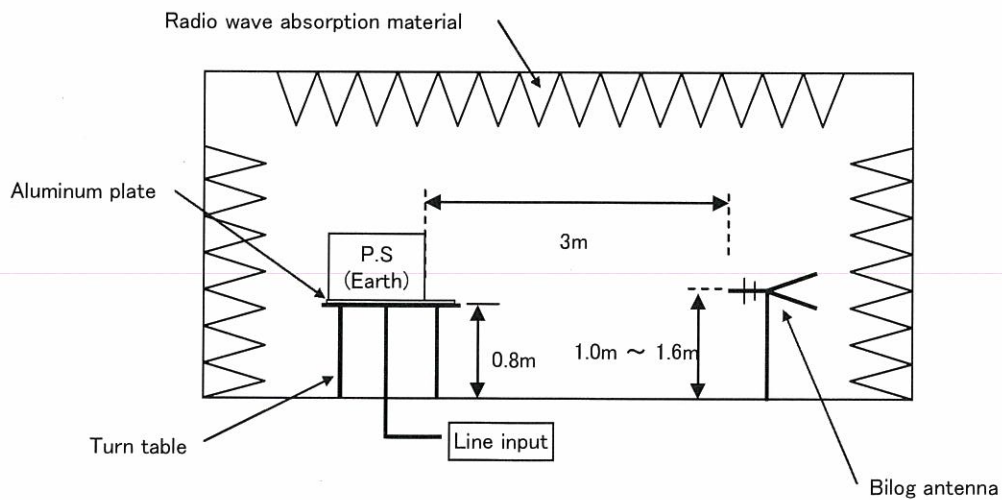
| Frequency MHz | Polarization | Stability | Reading dB(μV) | | Space Loss dB | Level dB(mW) | | Limit dB(mW) | Margin dB | Pass/Fail | Height cm | Angle deg | Remark |
|------------------|--------------|-----------|-------------------|-------|---------------------|-----------------|------|-----------------|--------------|-----------|--------------|--------------|--------|
| | | | QP | AV | | QP | AV | | | | | | |
| 115.69 | V | Stable | 59.0 | -17.8 | 41.2 | 50.0 | 8.8 | Pass | 104 | 98 | | | |
| 116.251 | H | Stable | 57.1 | -19.4 | 37.7 | 50.0 | 12.3 | Pass | 153 | 330 | | | |
| 200.433 | V | Stable | 58.8 | -15.7 | 43.1 | 50.0 | 6.9 | Pass | 104 | 349 | | | |
| 235.74 | H | Stable | 57.6 | -19.0 | 38.6 | 57.0 | 18.4 | Pass | 106 | 78 | | | |

| DATA SHEET | | Date | 14-Sep-14 |
|------------|--|-----------|------------|
| Model | Circuit used for measurement | Temp. | 25 degreeC |
| Test | EMI Line conduction & Radiated emission | Humid. | 40 %RH |
| | | Tested by | R.Nakao |

1. Line conduction



2. Radiated emission





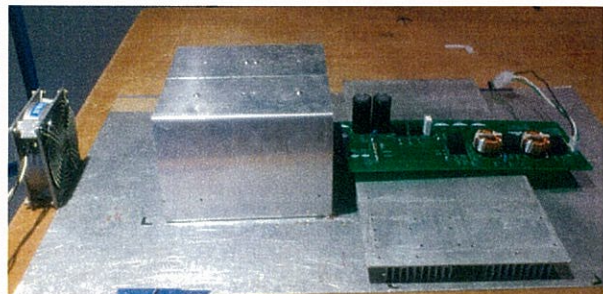
Test: EMI
 Model Name:TUNS500F Series

○ Photographs of Test Set-Up

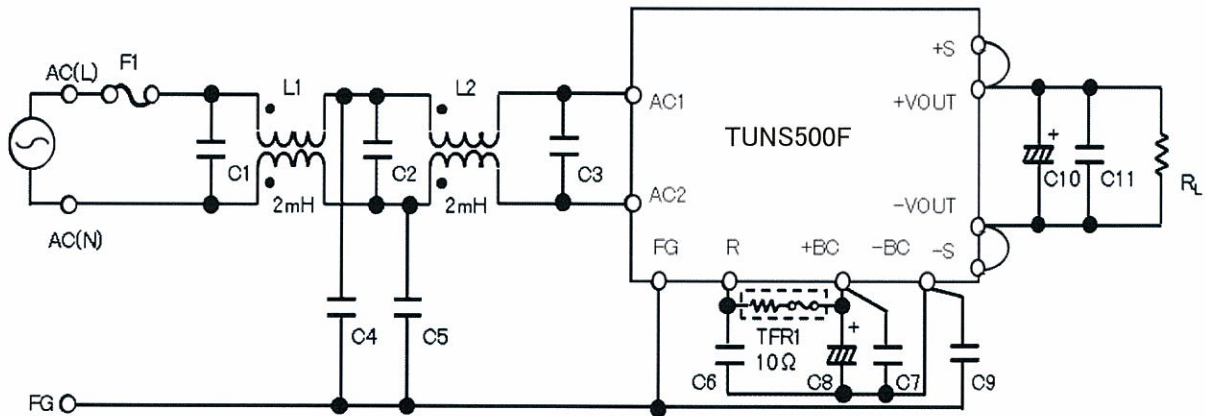
LINE CONDUCTION



RADIATED EMISSION



○ Test circuit



- | | |
|--|---|
| L1,L2 : SC-15-200(NEC TOKIN) | C11 : TUNS500F12 10 μ F Ceramic Capacitor |
| C1,C2 : 0.68 μ F 310V Film Capacitor \times 2 | TUNS500F28 4.7 μ F Ceramic Capacitor |
| C3 : 1.0 μ F 310V Film Capacitor \times 2 | TUNS500F48 2.2 μ F Ceramic Capacitor |
| C4,C5,C9 : 2200pF Ceramic Capacitor | |
| C6,C7 : 0.68 μ F 450V Film Capacitor \times 2 | |
| C8 : 390 μ F 450V Electrolytic Capacitor \times 2 | |
| C10 : TUNS500F12 2200 μ F 25V Electrolytic Capacitor | |
| TUNS500F28 1000 μ F 50V Electrolytic Capacitor | |
| TUNS500F48 470 μ F 63V Electrolytic Capacitor | |