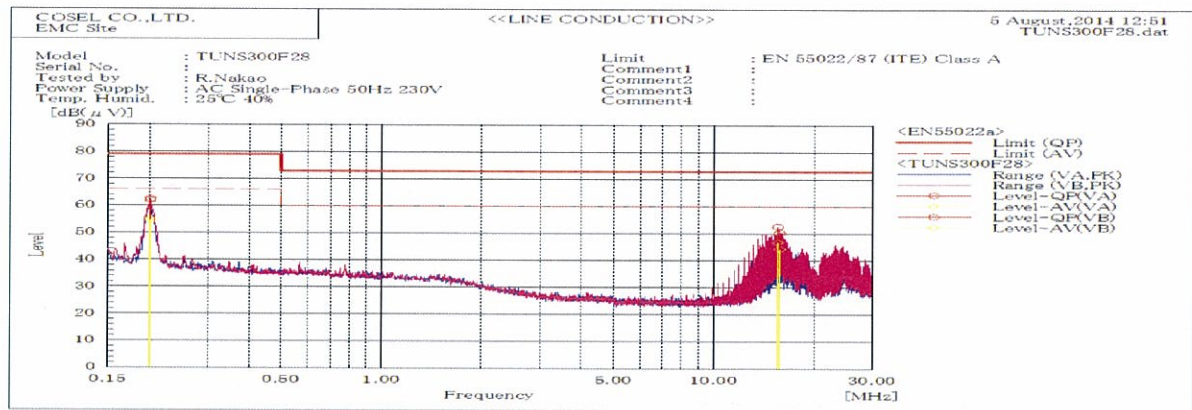
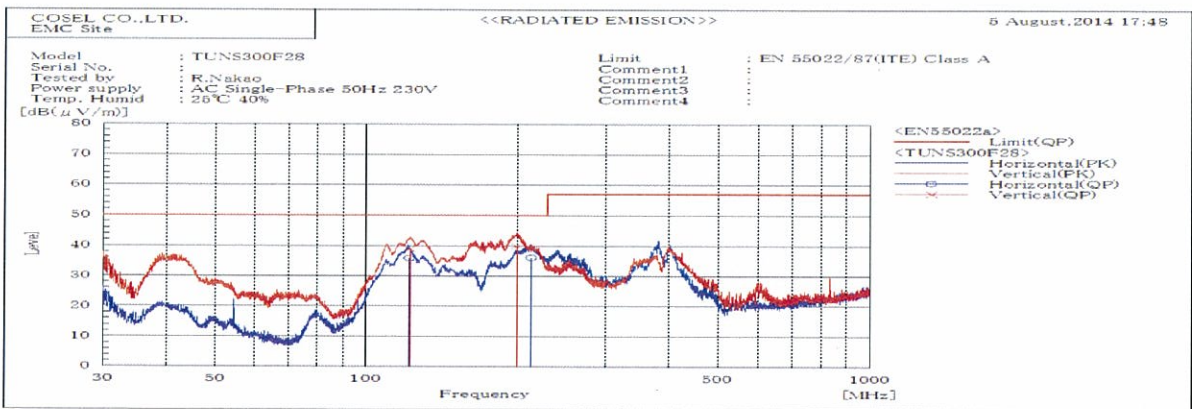


DATA SHEET		Date	20-Aug-14
Model	TUNS300F28	Temp.	25 degreeC
Test	EMI Line conduction & Radiated emission	Humid.	40 %RH
		Tested by	R.Nakao



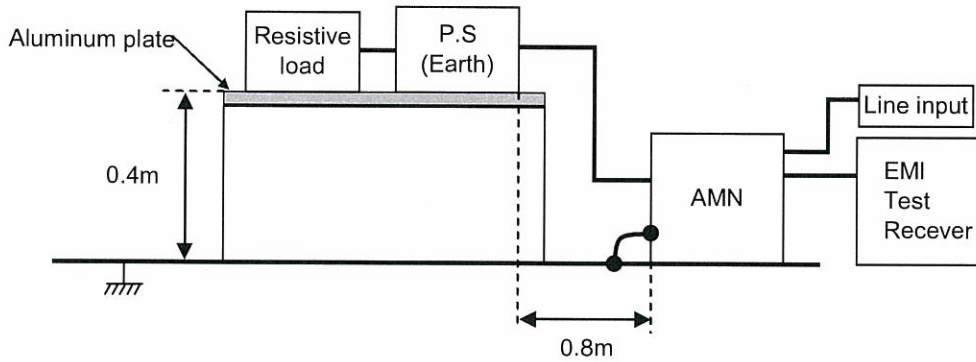
Frequency MHz	Harm	Line Phase	Reading dB(μV)		Factor dB	Level dB(μV)		Limit dB(μV)		Margin dB		Pass/Fail	Remark
			QP	AV		QP	AV	QP	AV	QP	AV		
0.20062		VA	41.7	34.4	20.2	61.9	54.6	79.0	66.0	17.1	11.4	Pass	
0.20117		VB	42.3	34.8	20.2	62.5	55.0	79.0	66.0	16.5	11.0	Pass	
15.5021		VB	31.6	25.9	21.0	52.6	46.9	73.0	60.0	20.4	13.1	Pass	
15.704		VA	29.3	23.3	21.1	50.4	44.4	73.0	60.0	22.6	15.6	Pass	



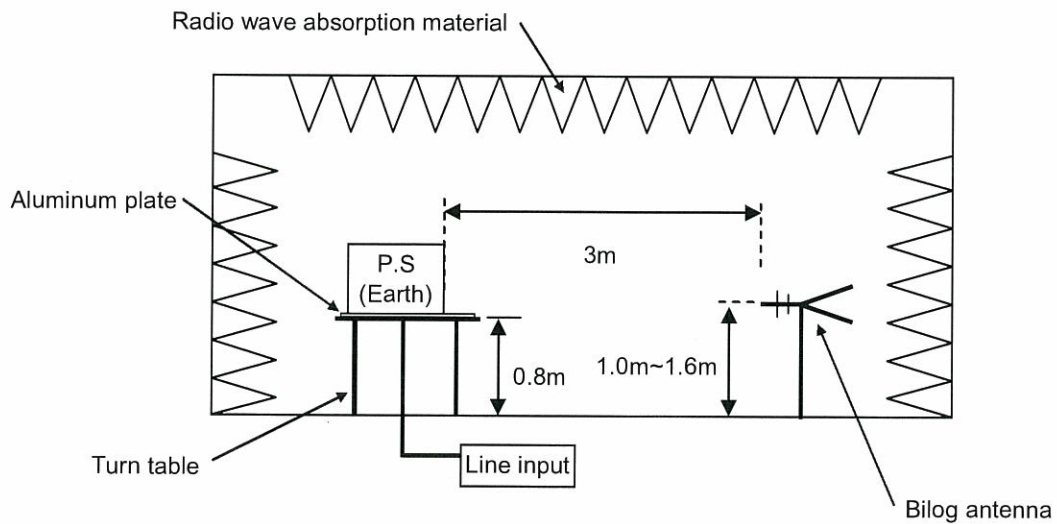
Frequency MHz	Polarization	Stability	Reading dB(μV)		Space Loss dB	Level dB(mW)		Limit dB(mW)	Margin dB	Pass/Fail	Height cm	Angle deg	Remark
			QP	AV		QP	QP						
121.61	H	Stable	55.1	-19.3	35.8	50.0	14.2	Pass	158	333			
121.904	V	Stable	55.8	-16.9	38.9	50.0	11.1	Pass	104	114			
199.441	V	Stable	55.6	-15.7	39.9	50.0	10.1	Pass	104	1			
212.815	H	Stable	57.2	-21.1	36.1	50.0	13.9	Pass	159	84			

DATA SHEET		Date	20-Aug-14
Model	Circuit used for measurement	Temp.	25 degreeC
Test	EMI Line conduction & Radiated emission	Humid.	40 %RH
		Tested by	R.Nakao

1. Line conduction



2. Radiated emission



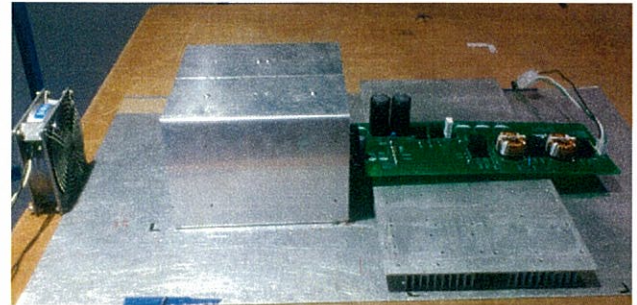
Test: EMI
 Model Name:TUNS300F Series

○ Photographs of Test Set-Up

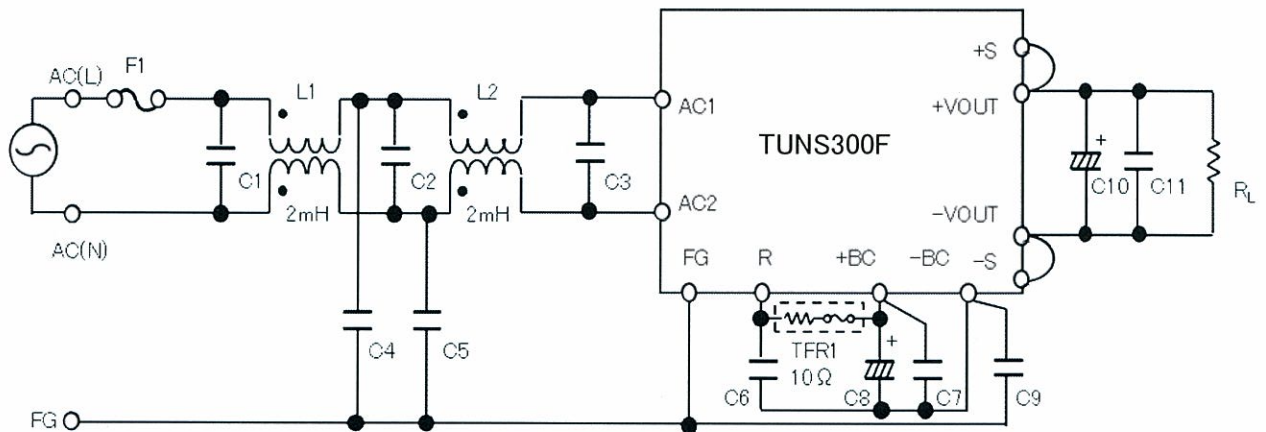
LINE CONDUCTION



RADIATED EMISSION



○ Test circuit



- | | |
|--|---|
| L1,L2 : SC-15-200(NEC TOKIN) | C11 : TUNS300F12 10 μ F Ceramic Capacitor |
| C1,C2 : 0.68 μ F 310V Film Capacitor \times 2 | TUNS300F28 4.7 μ F Ceramic Capacitor |
| C3 : 1.0 μ F 310V Film Capacitor \times 2 | TUNS300F48 2.2 μ F Ceramic Capacitor |
| C4,C5,C9 : 2200pF Ceramic Capacitor | |
| C6,C7 : 0.68 μ F 450V Film Capacitor \times 2 | |
| C8 : 470 μ F 420V Electrolytic Capacitor | |
| C10 : TUNS300F12 2200 μ F 25V Electrolytic Capacitor | |
| TUNS300F28 1000 μ F 50V Electrolytic Capacitor | |
| TUNS300F48 470 μ F 63V Electrolytic Capacitor | |