

Temperature increase of main components: 主要部品温度上昇

Model: TUNS1200F

1. Conditions

- (1) Input :AC 85 ~ 305 [V]
- (2) Output :Rated output
- (3) Mounting method :As shown in Fig.1.1

2. Result

No.	Parts name	Symbol No.	Increase (ΔT)					Rated temp. [°C]	Reference
			[deg]						
			12V	28V	48V	65			
1	Input Diode	D11	24	29	28	27		150	Junction Temp.
2	Choke Coil(Pfc)	L11	34	44	41	40		150	
3	Rectified Diode(Pfc)	D21	17	22	20	20		175	Junction Temp.
4	Switching Moss-Fet(Pfc)	TR11	25	25	26	25		150	Junction Temp.
5	Switching Moss-Fet	TR21	21	31	26	29		150	Junction Temp.
6	Transformer	T11	26	27	33	36		130	
7	Rectified Diode(Output)	SS51	39	22	16	-		150	Junction Temp.
8	Rectified Diode(Output)	D51	-	-	-	11		150	Junction Temp.
9	Choke Coil(Output)	L51	5	13	21	8		155	
10									
11									
12									
13									
14									
15									
16									
17									
18									
19									
20									

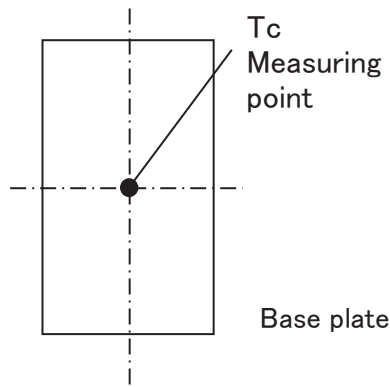


Fig.1.1 Measuring point of aluminum base plate temperature

* All information presented herein are not guaranteed.
 *本資料は参考資料であり、その内容を保証するものではありません。