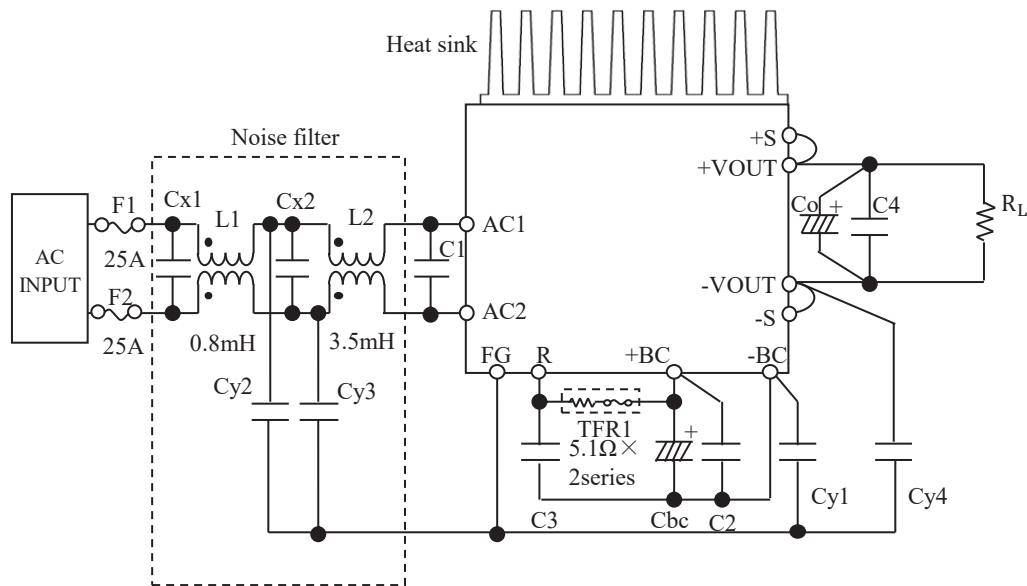


Approved: Junichi Hatagishi

Prepared: Toshiya Yoshioka

No.	Test item	Test conditions	Conditions of acceptability	Result
1	High temp./overload test	(1) Input : Rated input (100/200VAC) (2) Output : Overload (3) Baseplate temp. : 85°C (4) Test period : 48 hours (5) Testing circuitry : Fig.1	(1) The power supply is not failed.	pass
2	Capacitance reduction test	(1) Input : Rated input (100VAC) (2) Output : Rated output (3) Ambient temp. : 25±10°C (4) Testing circuitry : Fig.1	(1) No smoke, no fire. (2) No rise of the output voltage.	pass
3	Low voltage input test	(1) Input : Min. regulation voltage (85VAC) (2) Output : Rated output (3) Baseplate temp. : 85°C (4) Test period : 48 hours (5) Testing circuitry : Fig.1	(1) The power supply is not failed.	pass
4	Input ON/OFF test	(1) Input : Rated input (200VAC) T= 2sec Duty= 50% (2) Output : Rated output (3) Ambient temp. : 25±10°C (4) On/Off period : 10,000 (5) Testing circuitry : Fig.1	(1) The power supply is not failed. (2) The surge current of each components should not exceed the rated value.	pass
5	Output ON/OFF test	(1) Input : Rated input (100VAC) (2) Output : 0%←→100% T= 2sec Duty= 50% (3) Ambient temp. : 25±10°C (4) On/Off period : 1,000 (5) Testing circuitry : Fig.1	(1) The power supply is not failed.	pass
6	Output-short start test	(1) Input : Max. voltage (264VAC) (2) Output : Short start (3) Ambient temp. : 25±10°C (4) Testing circuitry : Fig.1	(1) The power supply is not failed.	pass
7	Output short test	(1) Input : Rated input (100,200VAC) (2) Output : Short (3) Ambient temp. : 25±10°C (4) Test period : 48 hours (5) Testing circuitry : Fig.1	(1) The power supply is not failed.	pass
8	Withstand voltage test (Hi-Pot test)	(1) Input : No input (2) Ambient temp. : 25±10°C (3) The voltage : specifications	(1) Insulation breakdown, flashover or electric arc is not occurred.	pass
9	Isolation resistance test	(1) Input : No input (2) Ambient temp. : 25±10°C	(1) Satisfies the specifications.	pass
10	Vibration/impact test	Vibration (1) f=10~55Hz : 49.0m/s <sup>2</sup> (2) 3 minutes period (3) 60 minutes each X, Y and Z axis Impact (1) 196.1m/s <sup>2</sup> 11ms (2) Once each X, Y and Z axis	(1) No degradation of electric characteristics after test. (2) No crack at solder joint. (3) No marked damage of appearance.	pass
11	Line Noise Tolerance test	(1) Input : Rated input (230VAC) (2) Output : Rated output (3) Ambient temp. : 25±10°C (4) Test Voltage : ±3 kV (5) Pulse width : 50~1000ns (6) Mode : Normal and Common (7) Testing circuitry : Fig.1	(1) No protection circuit failure. (2) No output voltage drop with control circuit failure. (3) No any other function failure.	pass

○ Testing circuitry



- L1 : SCR25-200-1R7A008JH
- L2 : SC15-E350H
- Cx1,Cx2 : 1.5uF 310V Film Capacitor
- Cy1 : 2200pF 400V
- Cy2,Cy3 : 1500pF 400V
- Cy4 : 10000pF 300V × 2parallel (For TUNS1200F65 only)
- C1 : 1.5uF 310V Film Capacitor × 2parallel
- C2,C3 : 1.0uF 630V Film Capacitor × 2parallel
- C4 : 1.0uF Ceramic Capacitor
- Cbc : 470uF 450V Electrolytic Capacitor × 3parallel
- Co : TUNS1200F12 2200uF 25V Electrolytic Capacitor  
 TUNS1200F28 1000uF 50V Electrolytic Capacitor  
 TUNS1200F48 470uF 63V Electrolytic Capacitor  
 TUNS1200F65 150uF 100V Electrolytic Capacitor × 2parallel

Fig.1 Testing circuitry