



TUHS10F series Reliability Test result

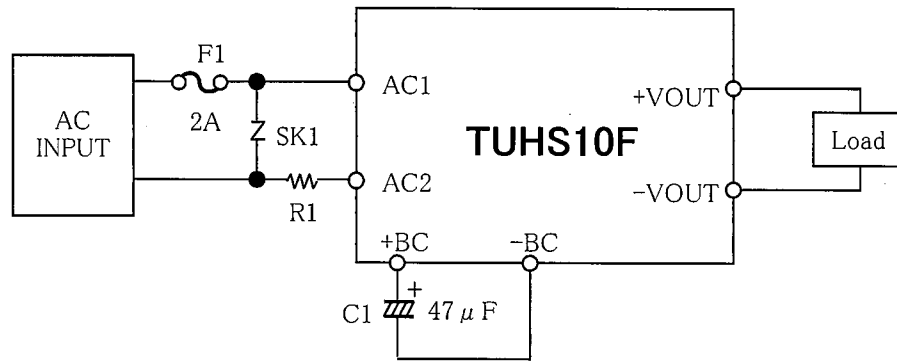
September 14, 2017
CS Design DEPT.

Approved : Kenji Shiho
Kenji Shiho

Prepared : Hironobu Shimizu
Hironobu Shimizu

No.	Test Item	Testing conditions	Conditions of acceptability	Number of samples	Number of failures
1	Heat cycle test	(1) -40°C~125°C 30minutes each (2) 800cycles	(1)No degradation of electric characteristics after test. (2)No crack at solder joint.	5	0
2	High temperature/ High humidity bias test	(1) Ta=85°C,RH=85% (2) At rated input (3) Load 0% (4) 1000hours	(1)No degradation of electric characteristics after test.	5	0
3	Vibration test	(1) f=10~55Hz,49.0m/s ² (5.0G) (2) 3minutes period (3) 60minutes each X,Y and Z axis	(1)No degradation of electric characteristics after test. (2)No crack at solder joint. (3)No marked damage of appearance.	3	0
4	Impact test	(1) 196.1m/s ² (20G),11ms (2) Once each X,Y and Z axis	(1)No degradation of electric characteristics after test. (2)No crack at solder joint. (3)No marked damage of appearance.	3	0
5	Soldering heat test	(1) Soldering iron 260°C, 15 seconds (2) Mounting board : t=1.6mm / FR4	(1)No crack at solder joint. (2)No marked damage of appearance.	1	0
6	Soldering test	(1) Pre-process Vapor agein(100°C/100%),1H Flux treatment (2) Soldering 235°C±5°C,2seconds	(1)Over 95% of dipped part is covered with solder.	5	0
7	Pin strength test	(1) Weight 2kg (2) Bending angle:90 deg., total 180 deg (3) 1 cycle	(1)No degraation of electric characteristics after test. (2)No broken or bent pin.	1	0
8	Static electricity immunity test	(1) Applied voltage ±8kV (2) At rated input and load (3) Testing circuitry Fig.1	(1)No protection circuit fail. (2)No output voltage drop due to control circuit fail. (3)No any other function fail.	1	0

○ Testing circuitry



F1:	SLT250V2A (Nippon Seisen)	2A
R1:	2K100JA (TAMURA THERMAL DEVICE)	10Ω
SK1:	TND10V-511K (NIPPON CHEMI-CON)	

Fig.1 Testing circuitry