

TEST DATA OF TBC-300-□□□**Noise Filter**

March. 19. 2009

Approved by : Toshio Watanabe
Toshio Watanabe Design Manager

Prepared by : Yuichi Uozu
Yuichi Uozu Design Engineer

COSEL CO.,LTD.

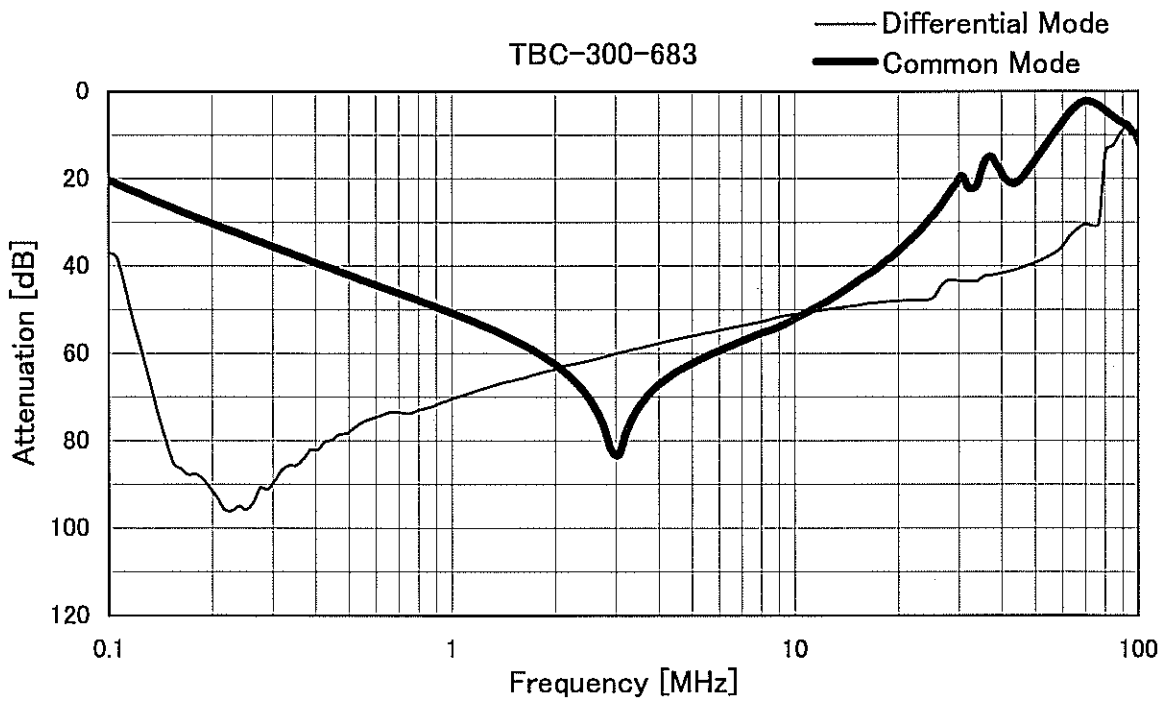
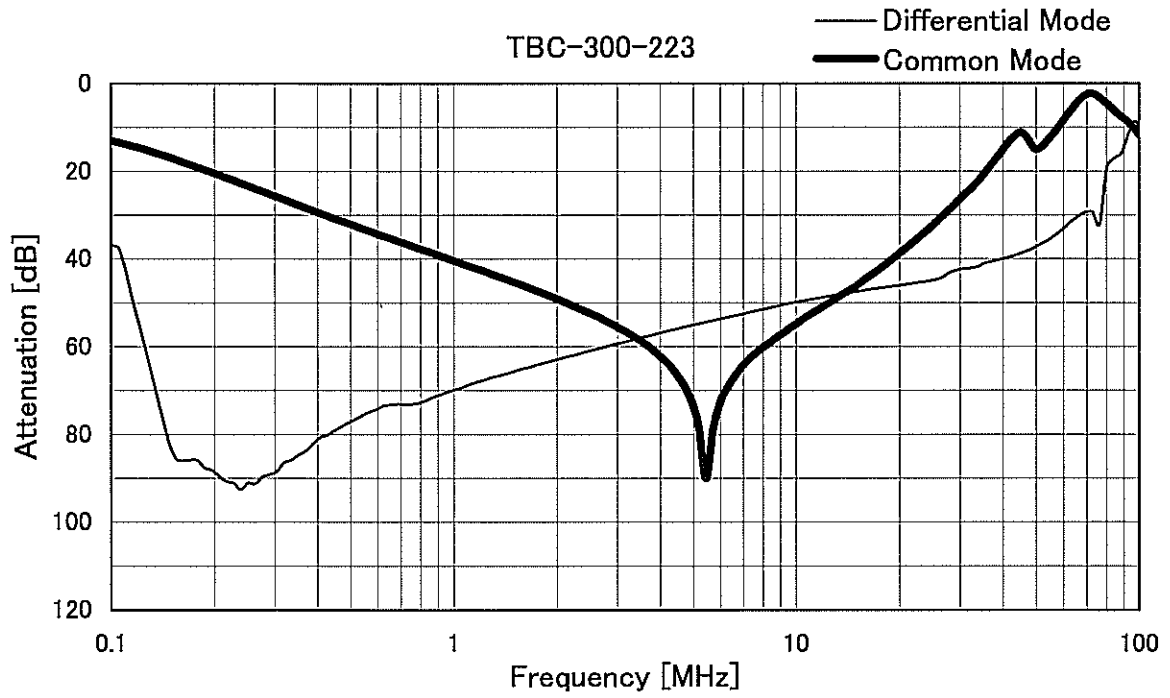


CONTENTS

1.Attenuation Characteristics 1
2.Leakage Current 3
3.Figure of Testing Circuitry 4
(Final Page 4)

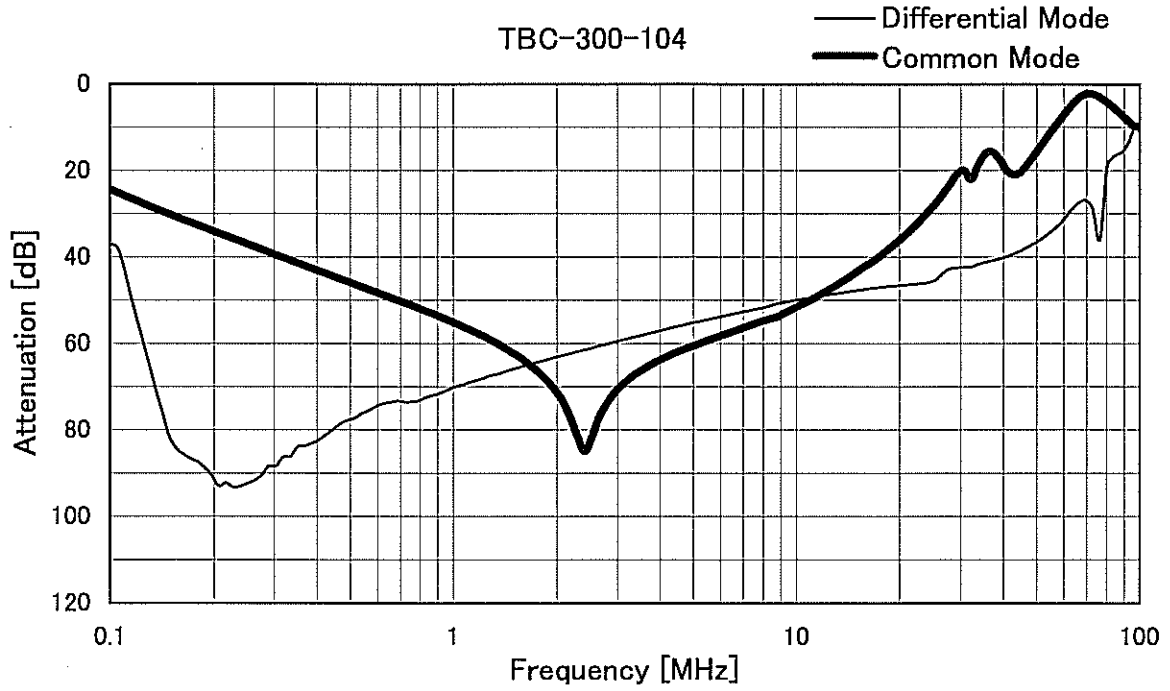


Model	TBC-300-□□□	Temperature	25°C
Item	Attenuation Characteristics	Testing Circuitry	Figure A
Object	_____		





Model	TBC-300-□□□	Temperature	25°C
Item	Attenuation Characteristics	Testing Circuitry	Figure A
Object	_____		





COSEL		Temperature 25°C Testing Circuitry Figure B
Model	TBC-300-□□□	
Item	Leakage Current	
Object	_____	

1.Results

[mA]

Model	Standards	Input Volt.					Note
		200 [V]	250 [V]	400 [V]	480 [V]	500 [V]	
TBC-300-223	UL1283	0.46	0.58	0.94	1.2	1.2	
TBC-300-683	UL1283	1.4	1.8	2.8	3.4	3.5	
TBC-300-104	UL1283	2.1	2.6	4.2	5.0	5.2	

2.Condition

Leakage current value is concluded after measuring both phases of AC input and by choosing the larger one.

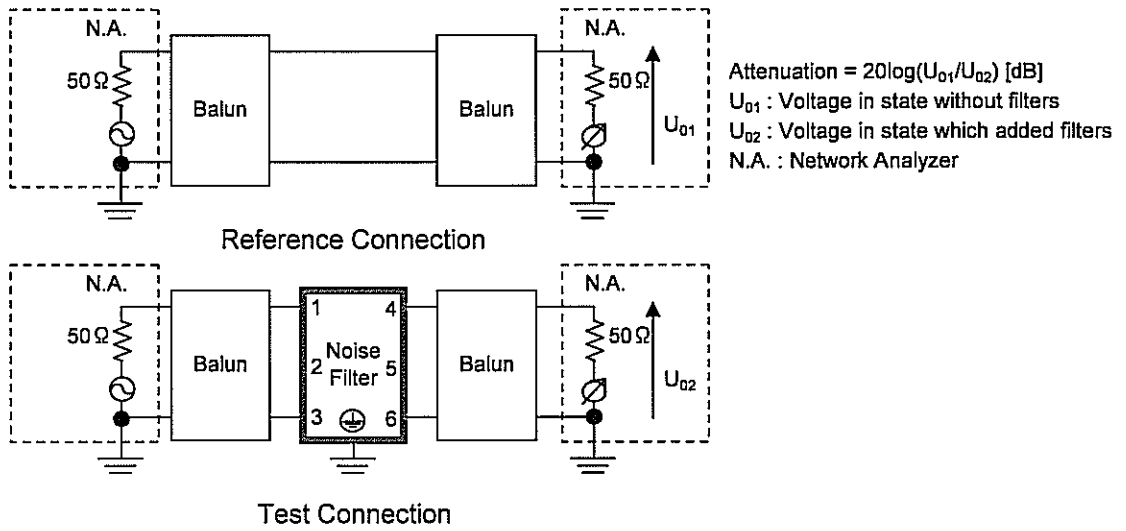


Figure A - 1 Differential mode attenuation measurement

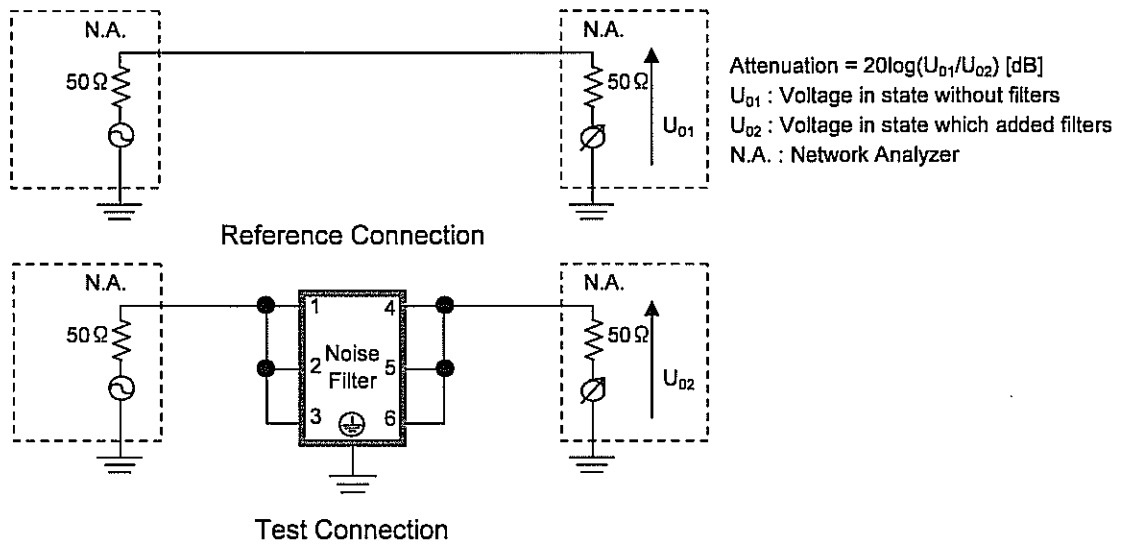


Figure A - 2 Common mode attenuation measurement

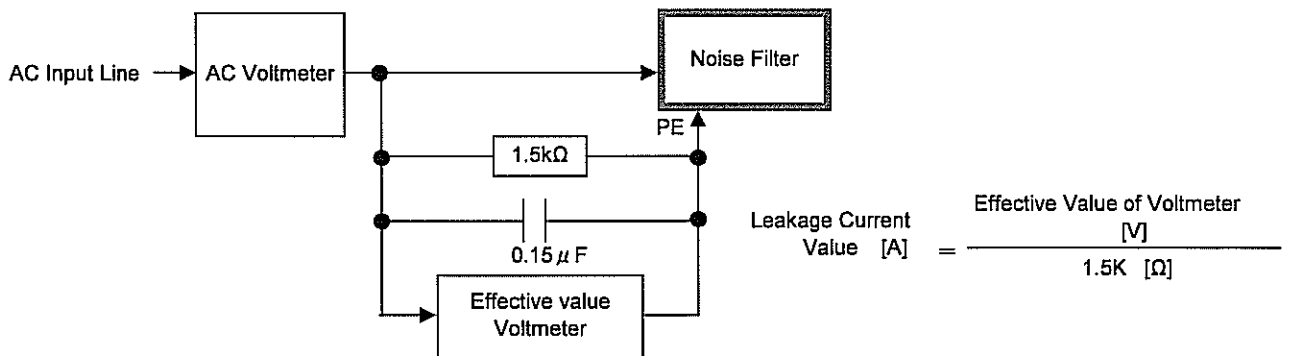


Figure B Leakage current measurement (UL1283)