



**SU10/SUC10 series EMI/EMS Test results**

Approved : *Tetsuo Sugimori*

Prepared : *Chikako Mukino*

No.	Test item	Conditions	Conditions of Acceptability	Result
1	Line conduction	(1) Rated input (2) Rated load (3) Ambient temp. 25±10°C (4) Testing circuitry Fig.1	(1)Meets the undermentioned FCC Part15 classA , VCCI classA CISPR22 classA , EN55022-A	OK
2	Radiated emission	(1) Rated input (2) Rated load (3) Ambient temp. 25±10°C (4) Testing circuitry Fig.1	(1)Meets the undermentioned FCC Part15 classA , VCCI classA CISPR22 classA , EN55022-A	OK
3	Static electricity immunity test (EN61000-4-2)	(1) Rated input (2) Rated load (3) Ambient temp. 25±10°C (4) Contact discharge voltage 8[kV] (EN61000-4-2 Level 4) (5) Testing circuitry Fig.2	(1)No protection circuit failure. (2)No output voltage drop with control circuit failure. (3)No any other function failure	OK
4	Radiated, radio-frequency, electromagnetic field immunity test (EN61000-4-3)	(1) Rated input (2) Rated load (3) Ambient temp. 25±10°C (4)Testing field strength 10[V/m] (EN61000-4-3 Level 3) (5) Testing circuitry Fig.1	(1)No protection circuit failure. (2)No output voltage drop with control circuit failure. (3)No any other function failure	OK
5	Electrical fast transient/ burst immunity test (EN61000-4-4)	(1) Rated input (2) Rated load (3) Ambient temp. 25±10°C (4) Test peak voltage 4[kV] (IEC61000-4-4 Level 4) (5) Testing circuitry Fig.2	(1)No protection circuit failure. (2)No output voltage drop with control circuit failure. (3)No any other function failure	OK
6	Surge immunity test (EN61000-4-5)	(1) Rated input (2) Rated load (3) Ambient temp. 25±10°C (4) Test voltage Line to line 2[kV] (Level4) (5) Testing circuitry Fig.3	(1)The power supply is not stc (2)Circuit does not malfunction. (3)No abnormality of the insulation destruction etc. (4)Parts are no damaged.	OK

○ Testing circuitry

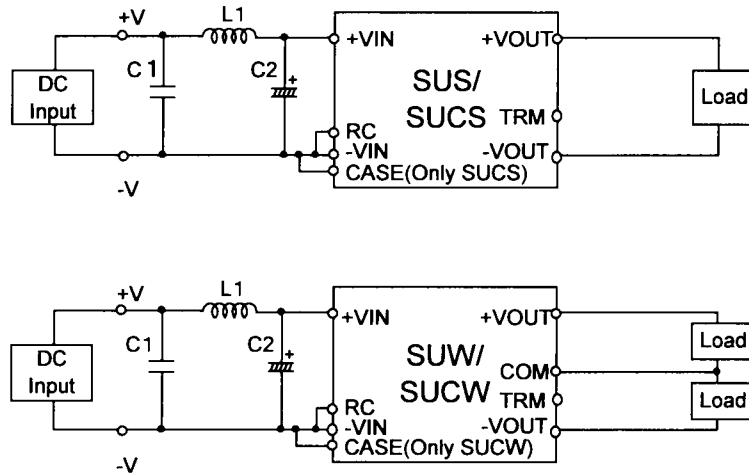


Fig.1 Testing circuitry

SU□/SUC□1005

L1 : 0.5μH	CI4-0R5	(KORIN ELECTRONICS)
C1 : 25V 22μF	GRM32ER71C226K	(MURATA)
C2 : 25V 470μF	UPM1E471M	(NICHICON)

SU□/SUC□1012

L1 : 1μH	CI4-1R0	(KORIN ELECTRONICS)
C1 : 25V 10μF	C3225JB1E106M	(TDK)
C2 : 25V 220μF	UPW1E221M	(NICHICON)

SU□/SUC□1024

L1 : 2.2μH	CY3H-2R2	(KORIN ELECTRONICS)
C1 : 50V 3.3μF	C3225JB1H335M	(TDK)
C2 : 50V 100μF	UPM1H101M	(NICHICON)

SU□/SUC□1048

L1 : 10μH	CY3H-100	(KORIN ELECTRONICS)
C1 : 100V 2.2μF	C4532JB2A225M	(TDK)
C2 : 100V 47μF	UPW2A470M	(NICHICON)

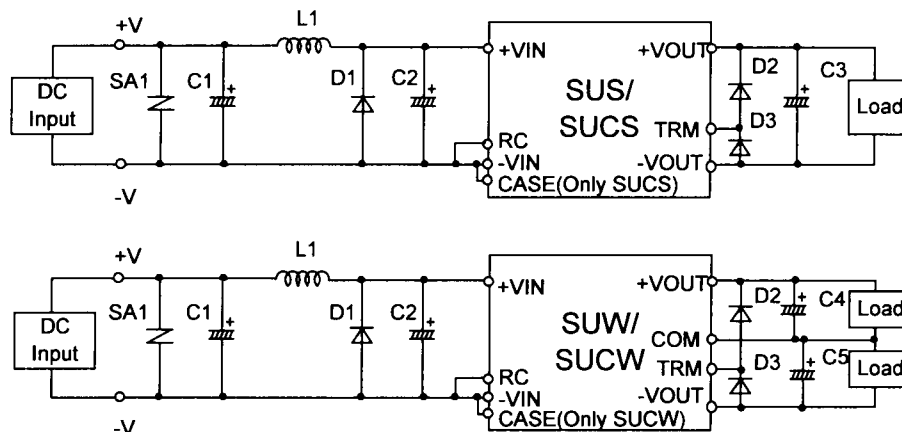


Fig.2 Testing circuitry

SU□/SUC□1005

SA1 : 18V	ERZV10D180	(MATSUSHITA ELECTRONIC)
L1 : 0.5μH	CI4-0R5	(KORIN ELECTRONICS)
D1 : 200V 3A	ERD32-02	(FUJI ELECTRIC)
C1 : 25V 2700μF	UPW1E272M	(NICHICON)
C2 : 25V 470μF	ELXY250ELL471M	(NIPPON CHEMI-COM)

SU□/SUC□1012

SA1 : 27V	ERZV10D270	(MATSUSHITA ELECTRONIC)
L1 : 1μH	CI4-1R0	(KORIN ELECTRONICS)
D1 : 200V 3A	ERD32-02	(FUJI ELECTRIC)
C1 : 25V 1500μF	UPW1E152M	(NICHICON)
C2 : 25V 220μF	ELXY250ELL221M	(NIPPON CHEMI-COM)

SU□/SUC□1024

SA1 : 47V	ERZV10D470	(MATSUSHITA ELECTRONIC)
L1 : 2.2μH	CY3H-2R2	(KORIN ELECTRONICS)
D1 : 200V 3A	ERD32-02	(FUJI ELECTRIC)
C1 : 50V 100μF	UPM1H101M	(NICHICON)
C2 : 50V 100μF	UPM1H101M	(NICHICON)

SU□/SUC□1048

SA1 : 100V	ERZV10D101	(MATSUSHITA ELECTRONIC)
L1 : 10μH	CY3H-100	(KORIN ELECTRONICS)
D1 : 200V 3A	ERD32-02	(FUJI ELECTRIC)
C1 : 100V 47μF	UPW2A470M	(NICHICON)
C2 : 100V 47μF	UPW2A470M	(NICHICON)

SUS/SUCS10□□3R3, SUS/SUCS10□□05

C3 : 25V 470μF	ELXY250ELL221M	(NIPPON CHEMI-COM)
----------------	----------------	--------------------

SUS/SUCS10□□12, SUS/SUCS10□□15

C3 : 50V 100μF	UPM1H101M	(NICHICON)
----------------	-----------	------------

SUW/SUCW10□□12, SUW/SUCW10□□15

C4, C5 : 50V 100μF	UPM1H101M	(NICHICON)
--------------------	-----------	------------

SU□/SUC□10

D2, D3 : 100V 1A	S5566B	(TOSHIBA)
------------------	--------	-----------

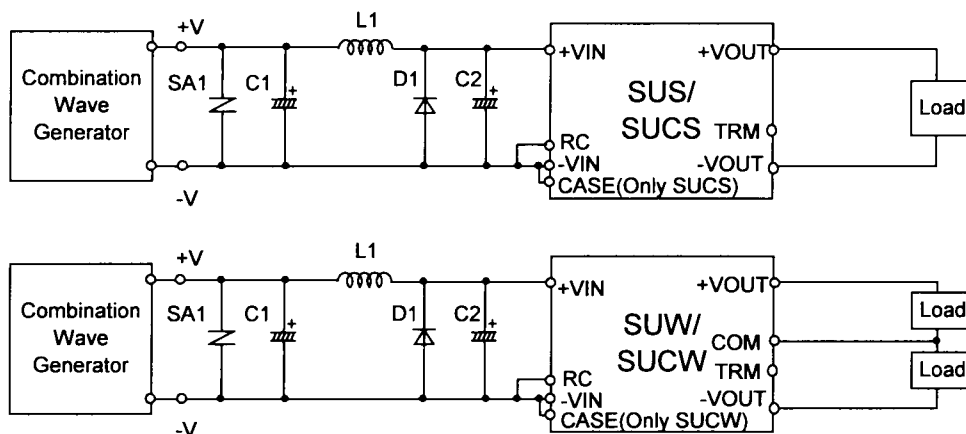


Fig.3 Surge immunity testing circuitry

SU□/SUC□1005

SA1 : 18V	ERZV10D180	(MATSUSHITA ELECTRONIC)
L1 : 0.5μH	C14-0R5	(KORIN ELECTRONICS)
D1 : 200V 3A	ERD32-02	(FUJI ELECTRIC)
C1 : 25V 2700μF	UPW1E272M	(NICHICON)
C2 : 25V 470μF	ELXY250ELL471M	(NIPPON CHEMI-COM)

SU□/SUC□1012

SA1 : 27V	ERZV10D270	(MATSUSHITA ELECTRONIC)
L1 : 1μH	C14-1R0	(KORIN ELECTRONICS)
D1 : 200V 3A	ERD32-02	(FUJI ELECTRIC)
C1 : 25V 1500μF	UPW1E152M	(NICHICON)
C2 : 25V 220μF	ELXY250ELL221M	(NIPPON CHEMI-COM)

SU□/SUC□1024

SA1 : 47V	ERZV10D470	(MATSUSHITA ELECTRONIC)
L1 : 2.2μH	CY3H-2R2	(KORIN ELECTRONICS)
D1 : 200V 3A	ERD32-02	(FUJI ELECTRIC)
C1 : 50V 100μF	UPM1H101M	(NICHICON)
C2 : 50V 100μF	UPM1H101M	(NICHICON)

SU□/SUC□1048

SA1 : 100V	ERZV10D101	(MATSUSHITA ELECTRONIC)
L1 : 10μH	CY3H-100	(KORIN ELECTRONICS)
D1 : 200V 3A	ERD32-02	(FUJI ELECTRIC)
C1 : 100V 47μF	UPW2A470M	(NICHICON)
C2 : 100V 47μF	UPW2A470M	(NICHICON)