

TEST DATA OF NBM-10-□□□**Noise Filter**

Oct. 17. 2007

Approved by : Toshio Watanabe
Toshio Watanabe Design Manager

Prepared by : Tadayuki Noda
Tadayuki Noda Design Engineer

COSEL CO.,LTD.



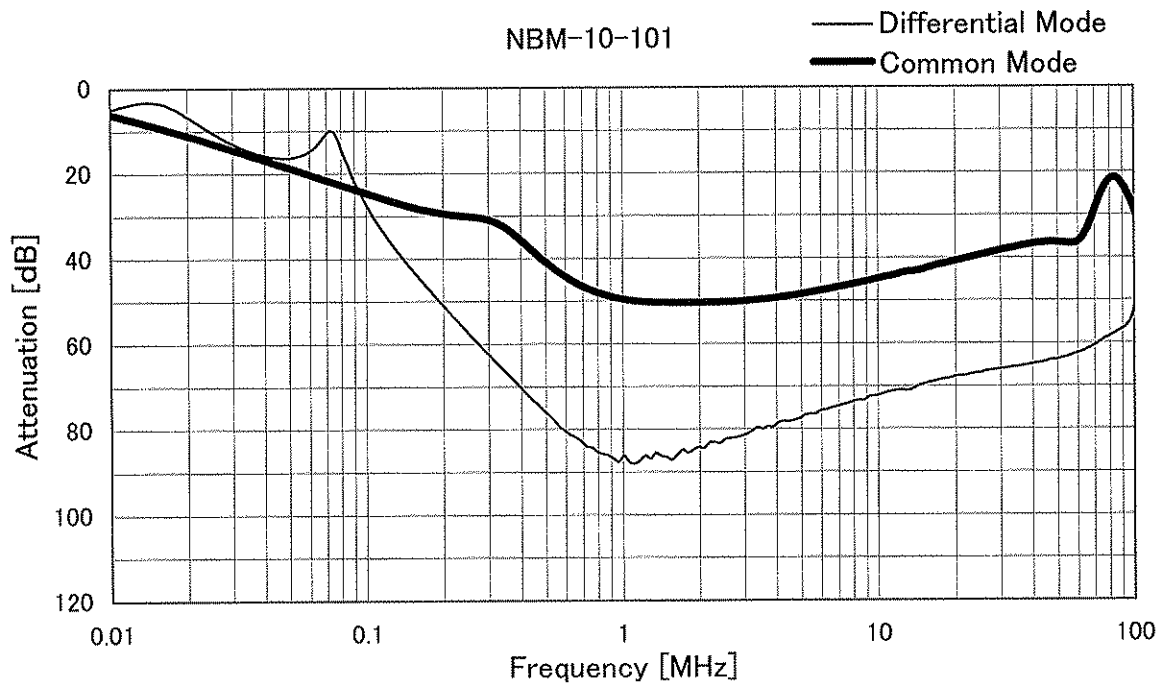
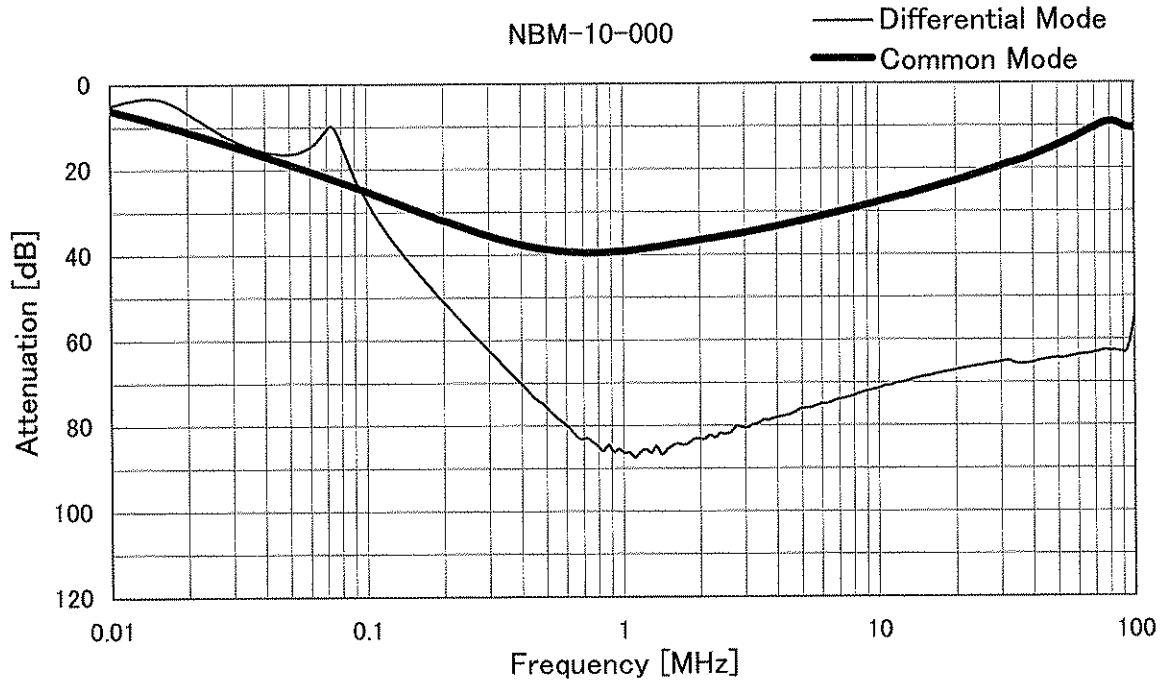
CONTENTS

1. Attenuation Characteristics 1
2. Pulse Attenuation Characteristics 4
3. Leakage Current 6
4. Figure of Testing Circuitry 7

(Final Page 8)

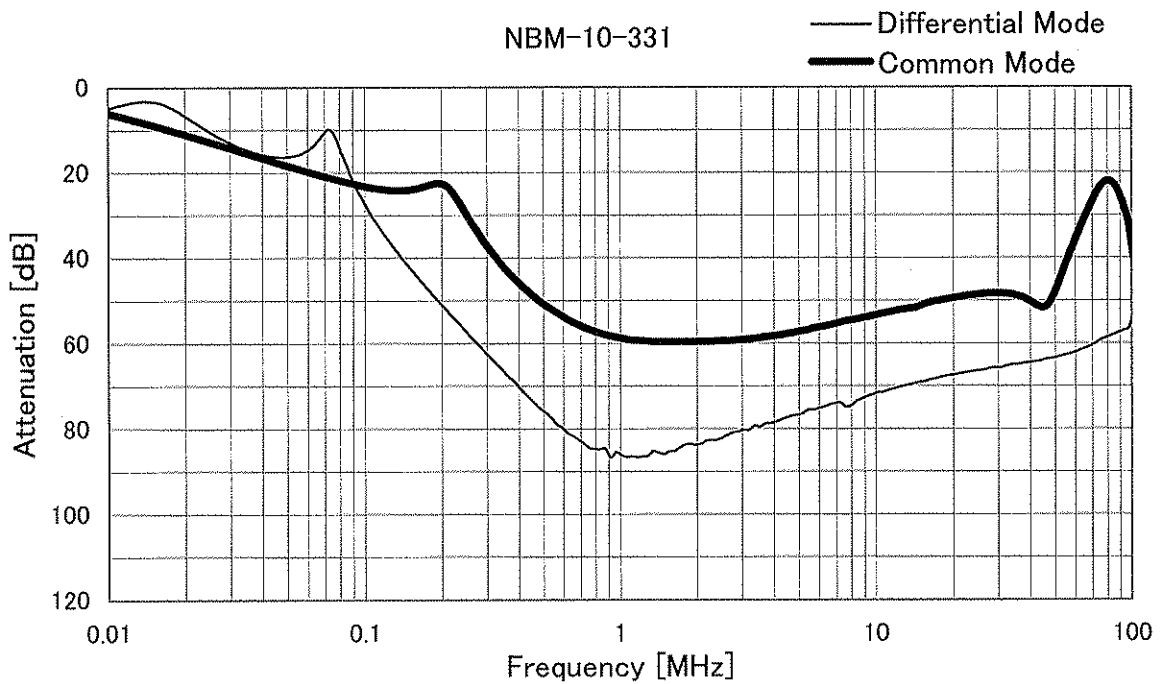
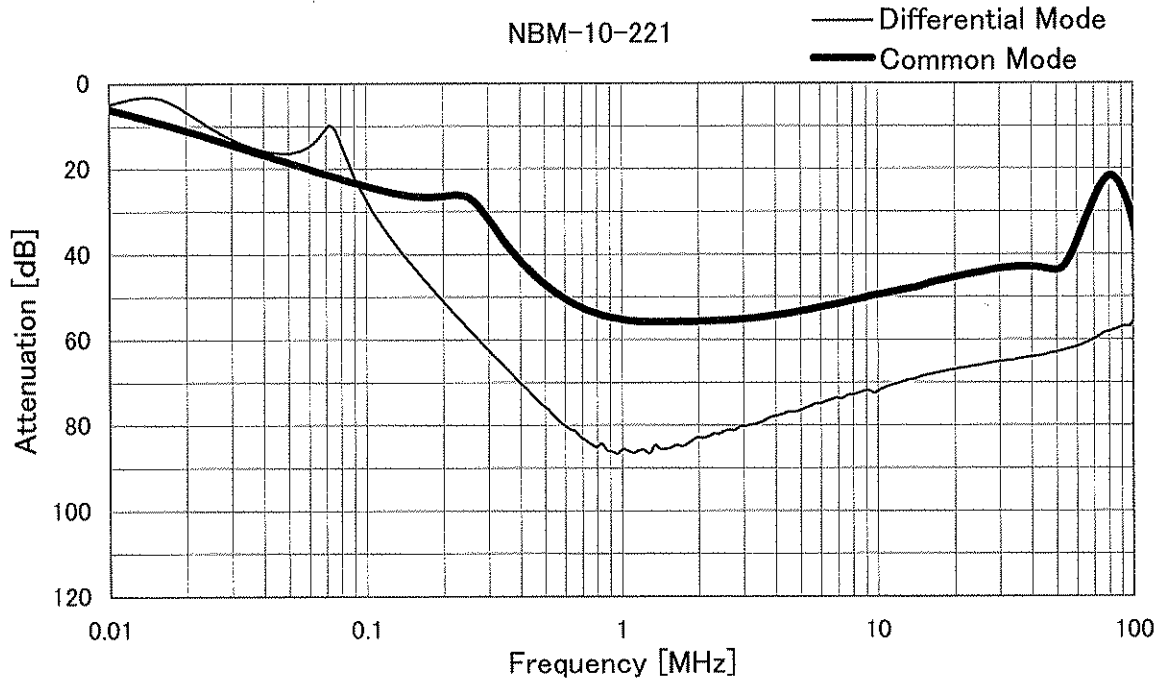


Model	NBM-10-□□□	Temperature	25°C
Item	Attenuation Characteristics	Testing Circuitry	Figure A
Object	_____		



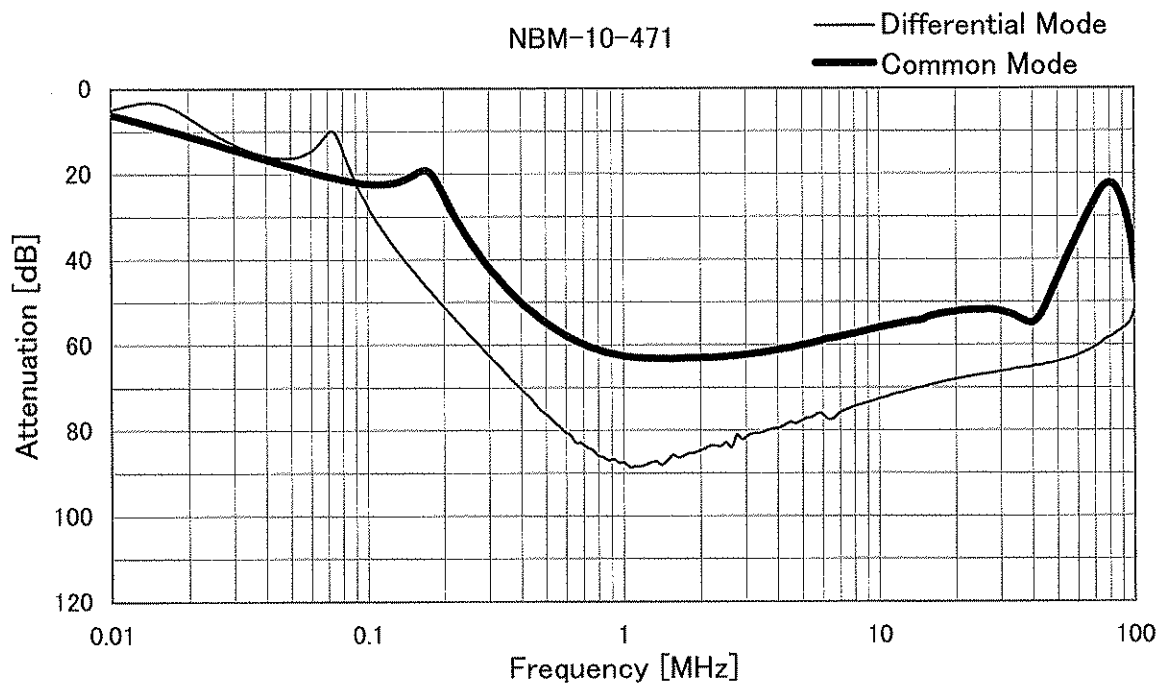


Model	NBM-10-□□□	Temperature 25°C Testing Circuitry Figure A
Item	Attenuation Characteristics	
Object	_____	



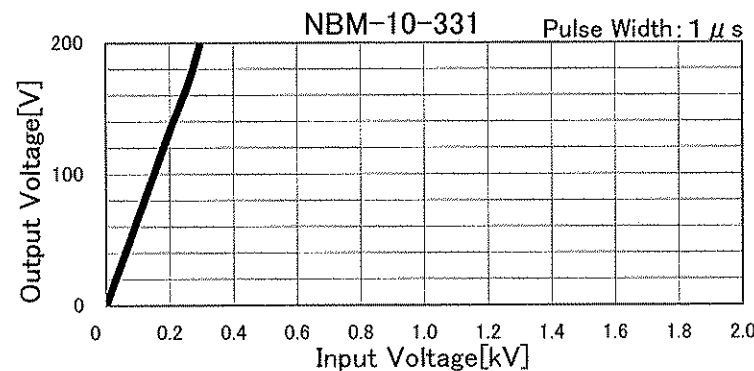
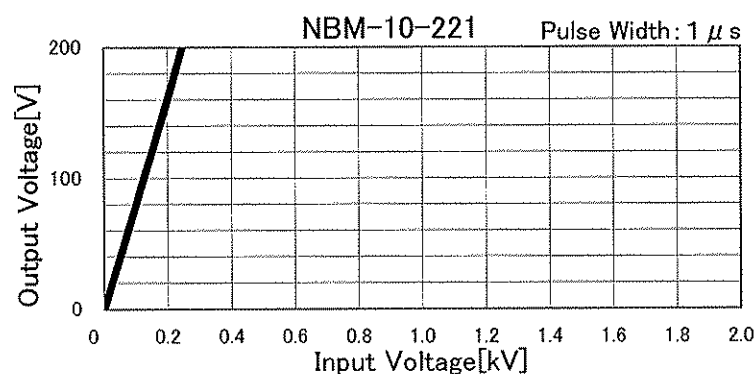
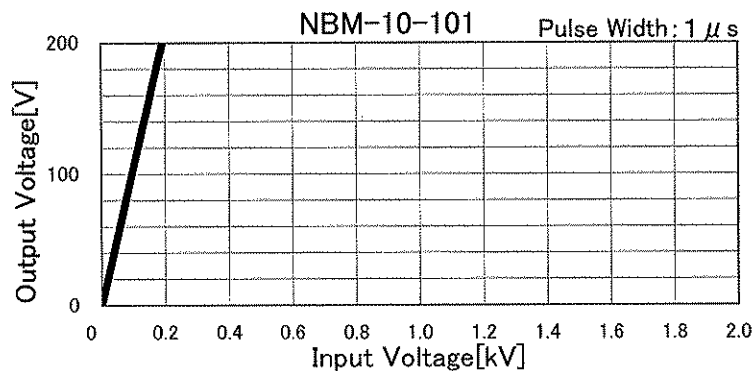
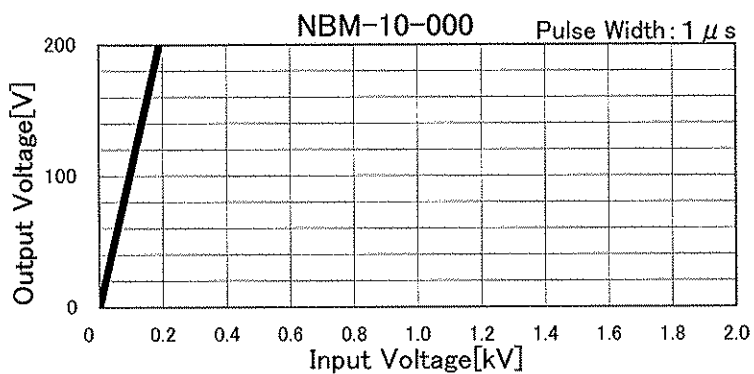


Model	NBM-10-□□□	Temperature 25°C Testing Circuitry Figure A
Item	Attenuation Characteristics	
Object	_____	



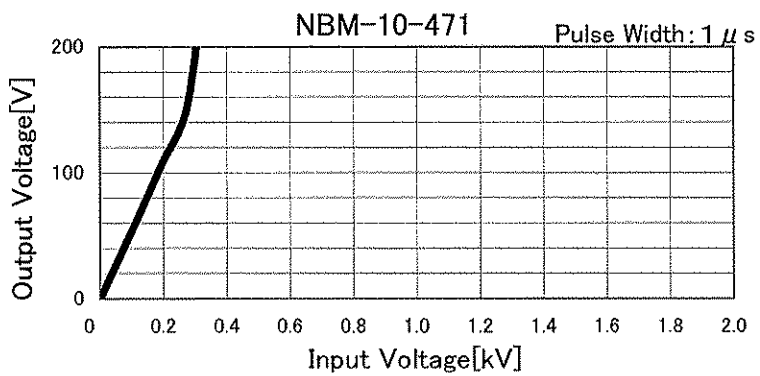


Model	NBM-10-□□□	Temperature 25°C Testing Circuitry Figure B
Item	Pulse Attenuation Characteristics	
Object	_____	





Model		NBM-10-□□□	Temperature 25°C Testing Circuitry Figure B
Item		Pulse Attenuation Characteristics	
Object		_____	





COSEL		
Model	NBM-10-□□□	Temperature 25°C Testing Circuitry Figure C
Item	Leakage Current	
Object	_____	

1.Results

[mA]

Model	Standards	Input Volt.				Note
		100 [V]	125 [V]	230 [V]	250 [V]	
NBM-10-000	UL1283	0.002	0.002	0.004	0.005	
NBM-10-101	UL1283	0.006	0.007	0.013	0.015	
NBM-10-221	UL1283	0.011	0.013	0.025	0.028	
NBM-10-331	UL1283	0.015	0.019	0.038	0.042	
NBM-10-471	UL1283	0.023	0.030	0.061	0.069	

2.Condition

Leakage current value is concluded after measuring both phases of AC input and by choosing the larger one.

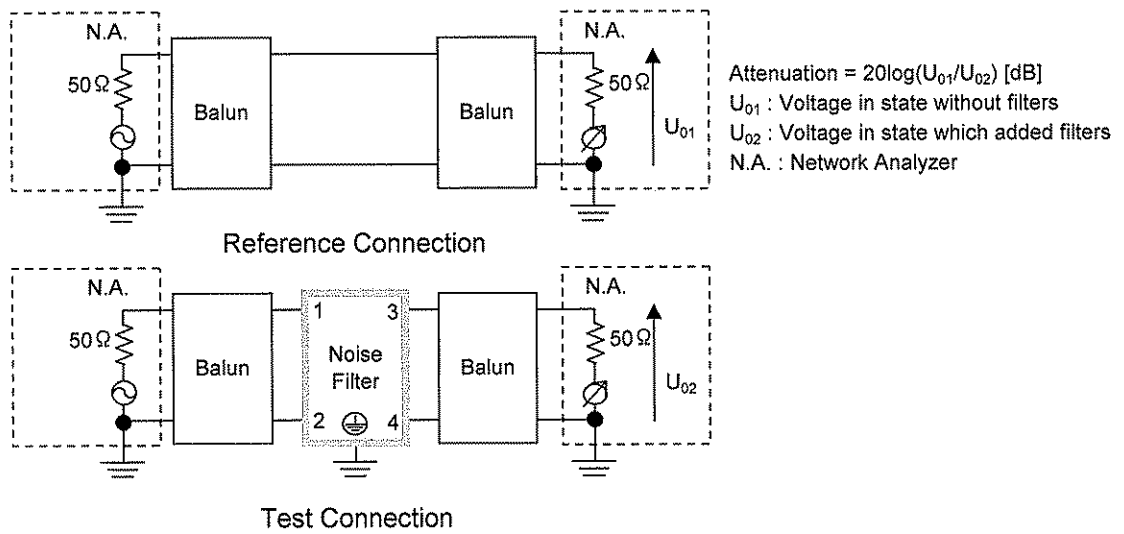


Figure A - 1 Differential mode attenuation measurement

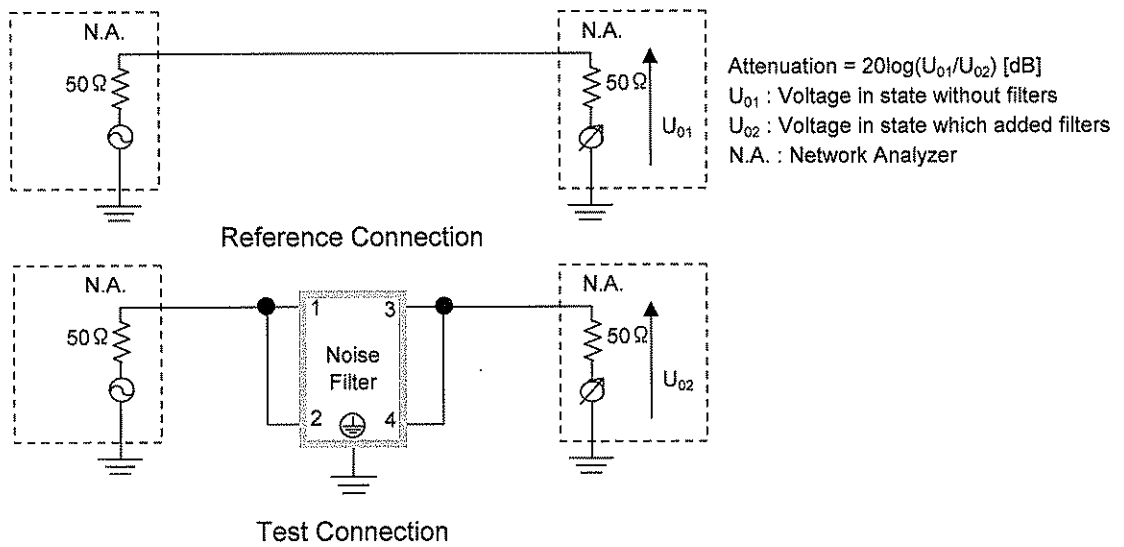
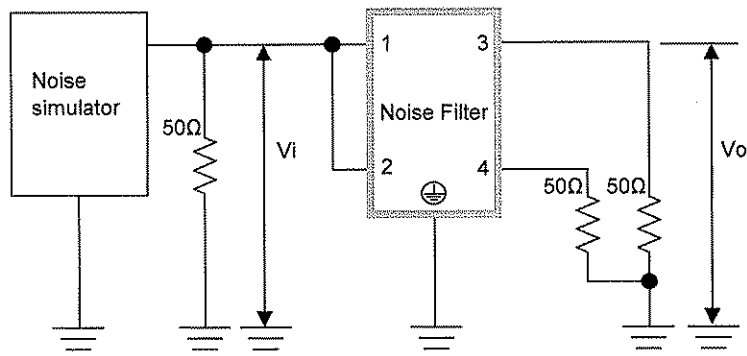


Figure A - 2 Common mode attenuation measurement



Pulse attenuation measurement

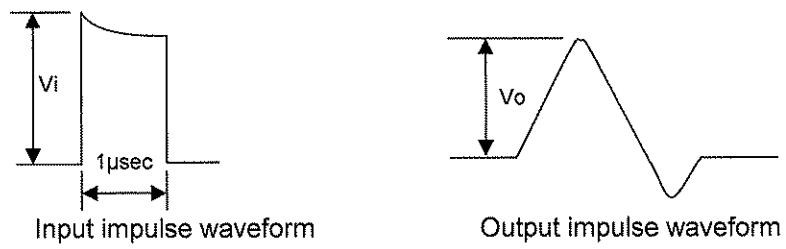


Figure B Pulse attenuation measurement

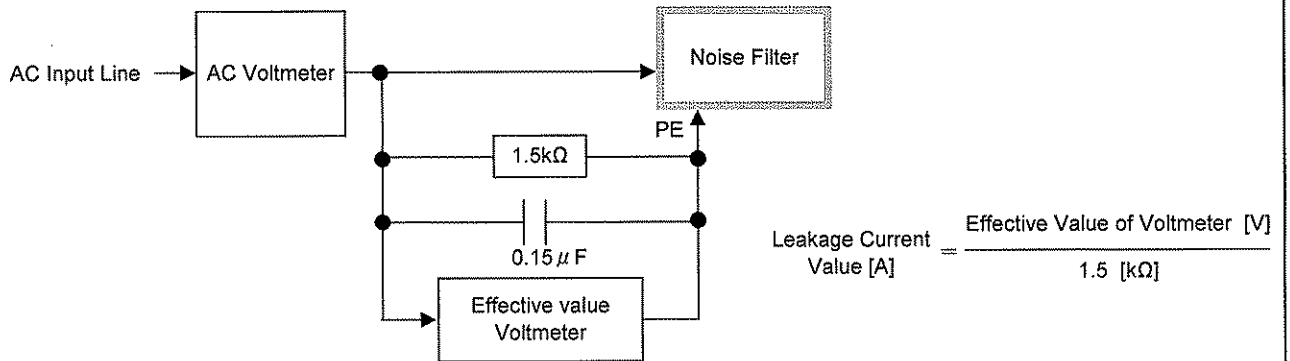


Figure C Leakage current measurement (UL1283)