

**TEST DATA OF NAC-30-□□□****Noise Filter**

Apr. 22. 2005

Approved by : Toshio Watanabe  
Toshio Watanabe Design Manager

Prepared by : Tadayuki Noda  
Tadayuki Noda Design Engineer

**COSEL CO.,LTD.**



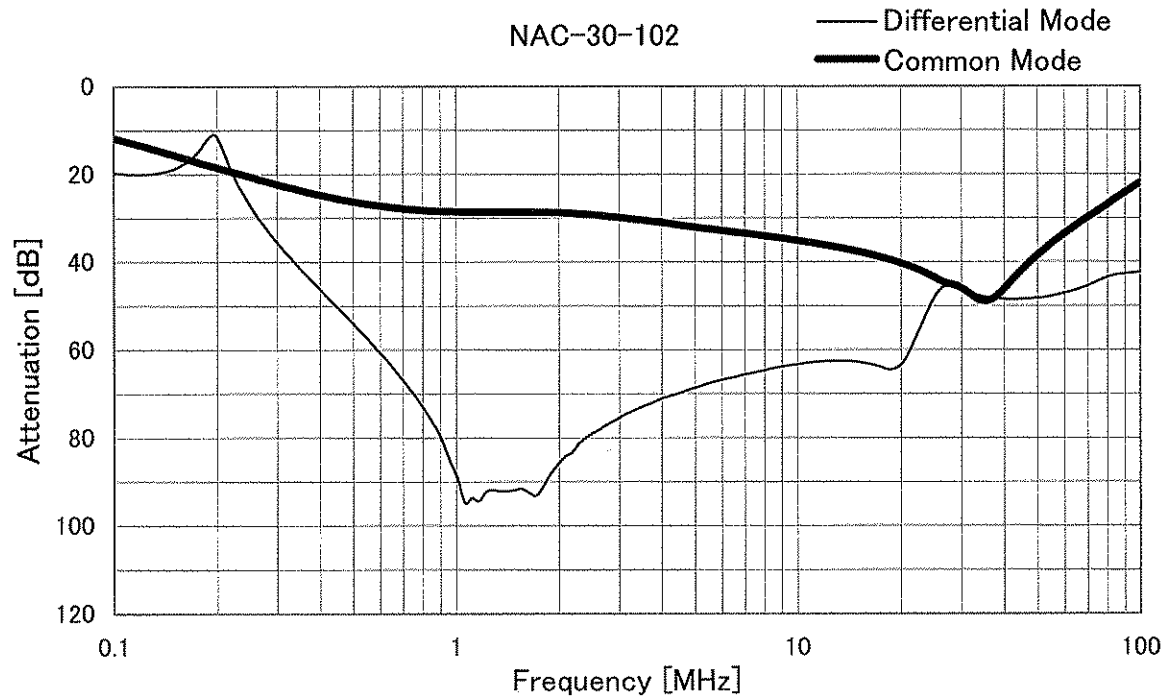
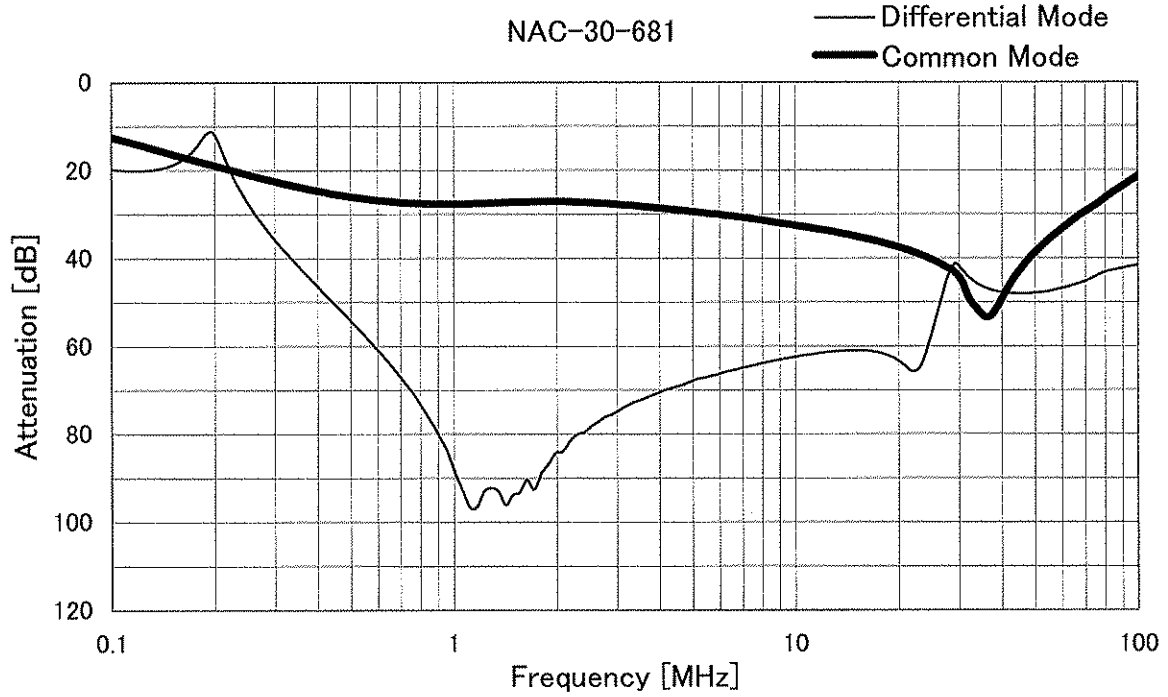
CONTENTS

1. Attenuation Characteristics . . . . . 1  
2. Pulse Attenuation Characteristics . . . . . 4  
3. Leakage Current . . . . . 6  
4. Figure of Testing Circuitry . . . . . 7

(Final Page 8)

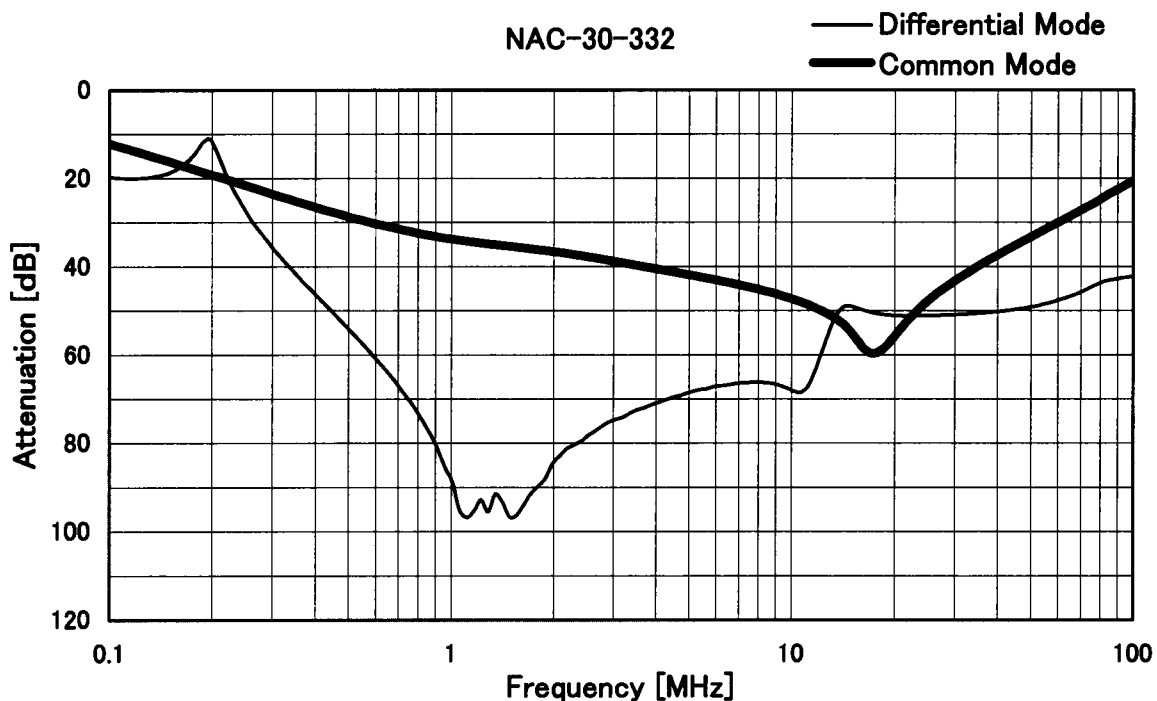
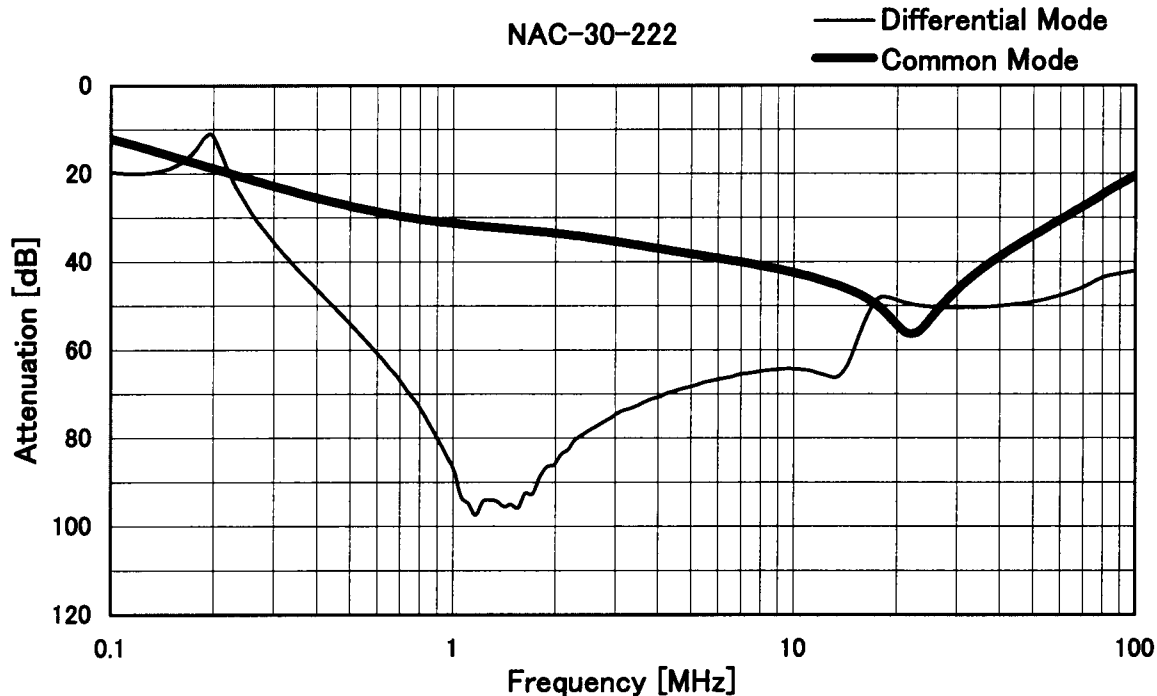


Model	NAC-30-□□□	Temperature	25°C
Item	Attenuation Characteristics	Testing Circuitry	Figure A
Object	_____		



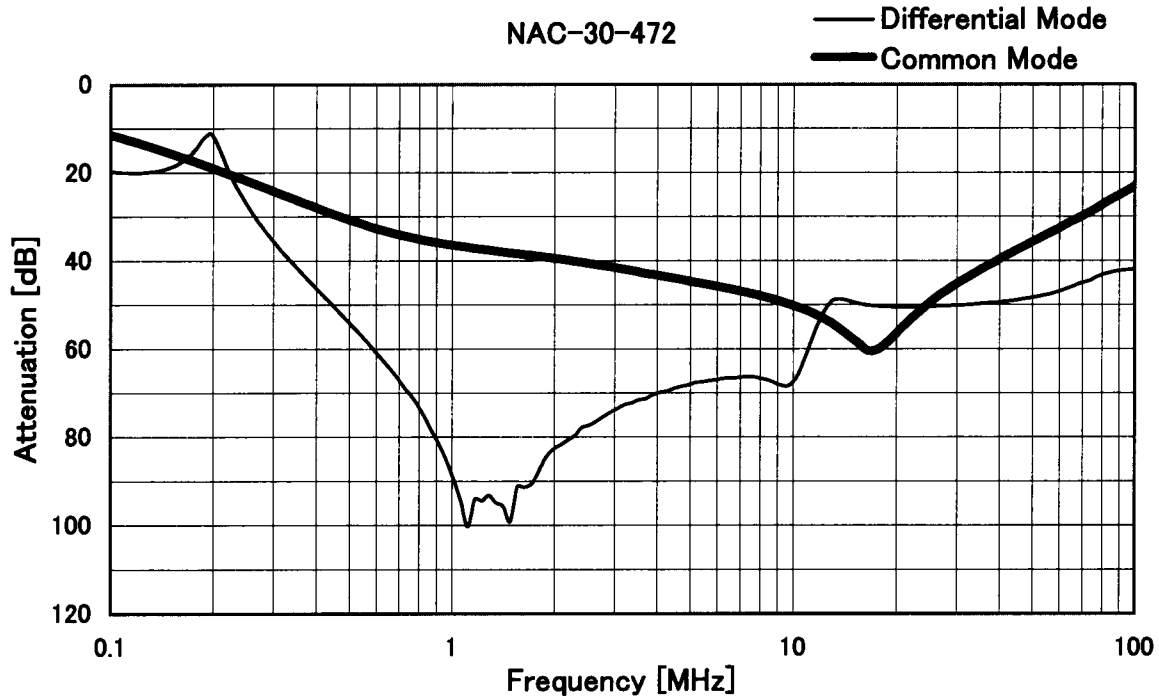


Model		NAC-30-□□□	Temperature 25°C Testing Circuitry Figure A
Item		Attenuation Characteristics	
Object		_____	



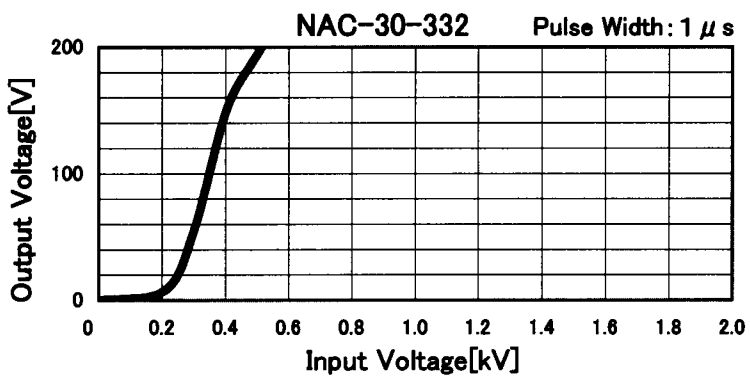
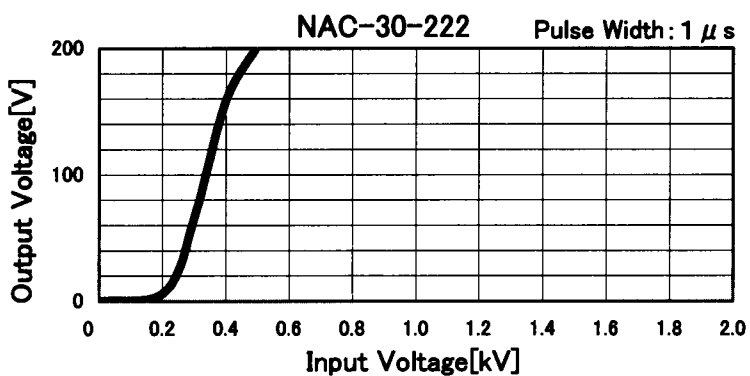
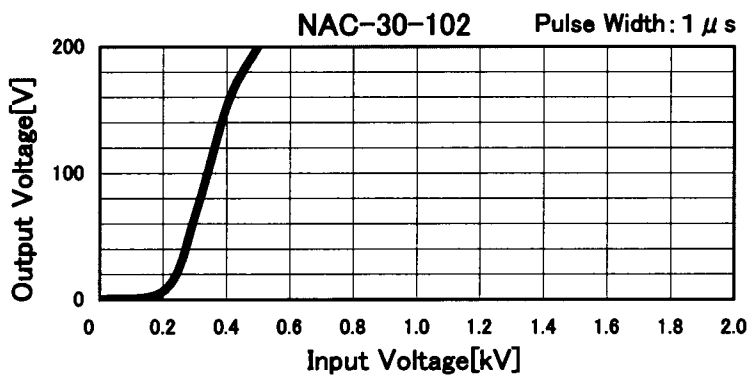
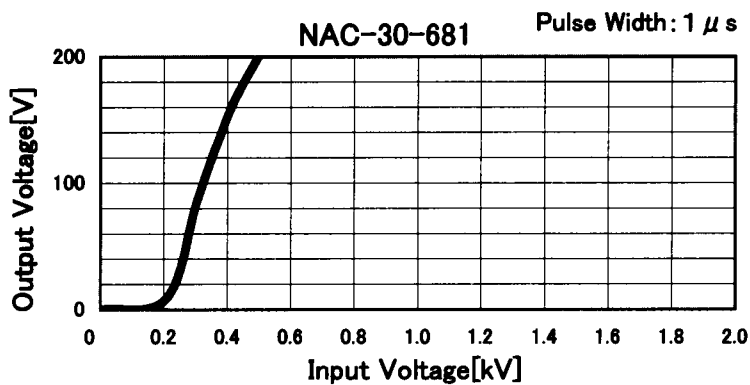


Model		NAC-30-□□□	Temperature 25°C Testing Circuitry Figure A
Item		Attenuation Characteristics	
Object		_____	



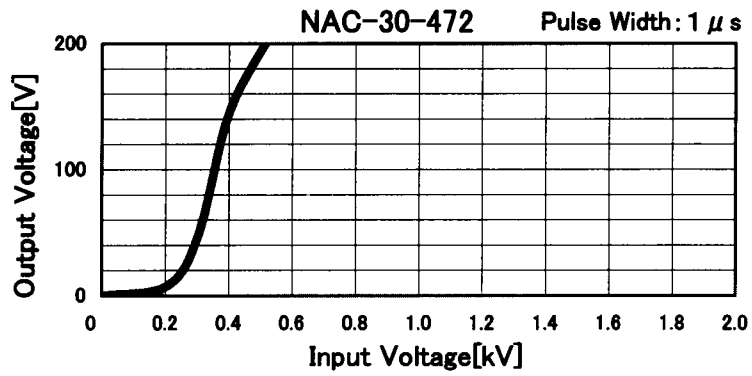


<b>COSEL</b>		
Model	NAC-30-□□□	Temperature 25°C Testing Circuitry Figure B
Item	Pulse Attenuation Characteristics	
Object	_____	





<b>COSEL</b>		
Model	NAC-30-□□□	Temperature 25°C Testing Circuitry Figure B
Item	Pulse Attenuation Characteristics	
Object	_____	





<b>Model</b>		NAC-30-□□□	Temperature 25°C Testing Circuitry Figure C
<b>Item</b>		Leakage Current	
<b>Object</b>		_____	

1.Results

[mA]

Model	Standards	Input Volt.				Note
		100 [V]	125 [V]	230 [V]	250 [V]	
NAC-30-681	UL1283	0.031	0.040	0.082	0.093	
NAC-30-102	UL1283	0.044	0.056	0.110	0.120	
NAC-30-222	UL1283	0.090	0.120	0.230	0.250	
NAC-30-332	UL1283	0.130	0.170	0.340	0.370	
NAC-30-472	UL1283	0.190	0.240	0.480	0.520	

2.Condition

Leakage current value is concluded after measuring both phases of AC input and by choosing the larger one.



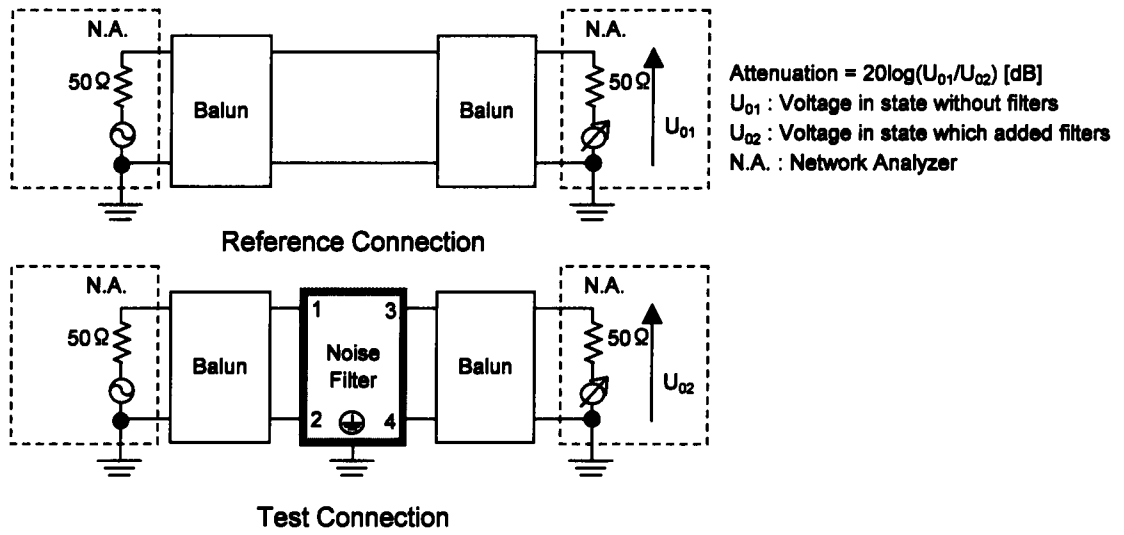


Figure A - 1 Differential mode attenuation measurement

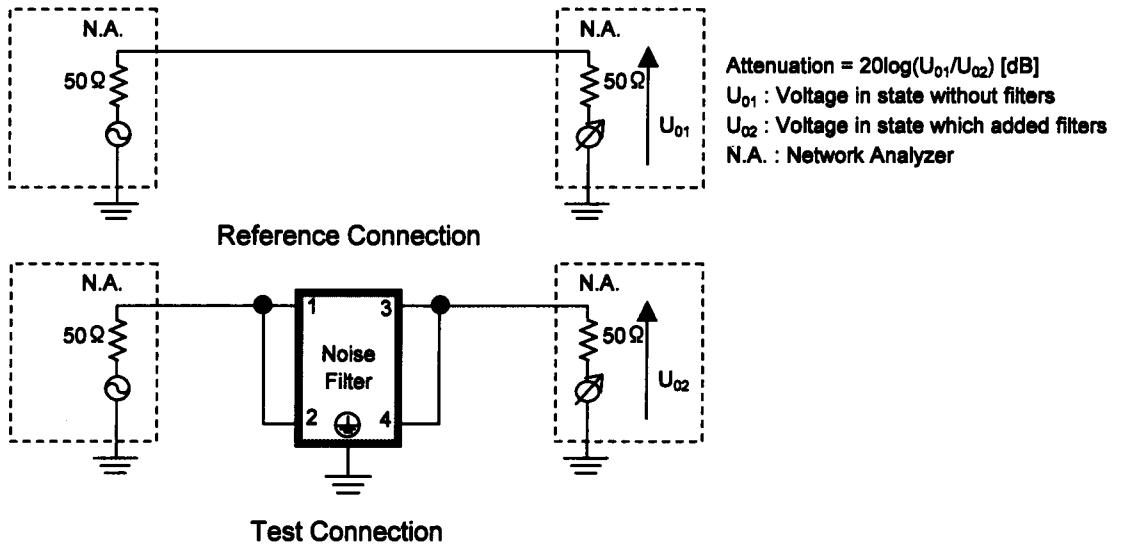
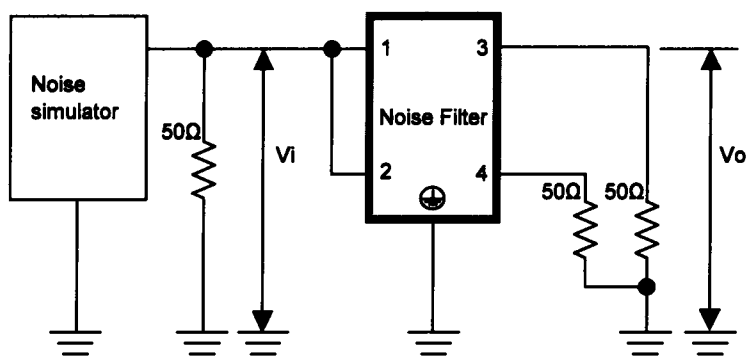


Figure A - 2 Common mode attenuation measurement



Pulse attenuation measurement

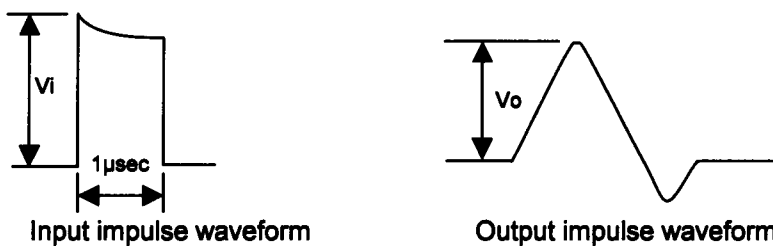


Figure B Pulse attenuation measurement

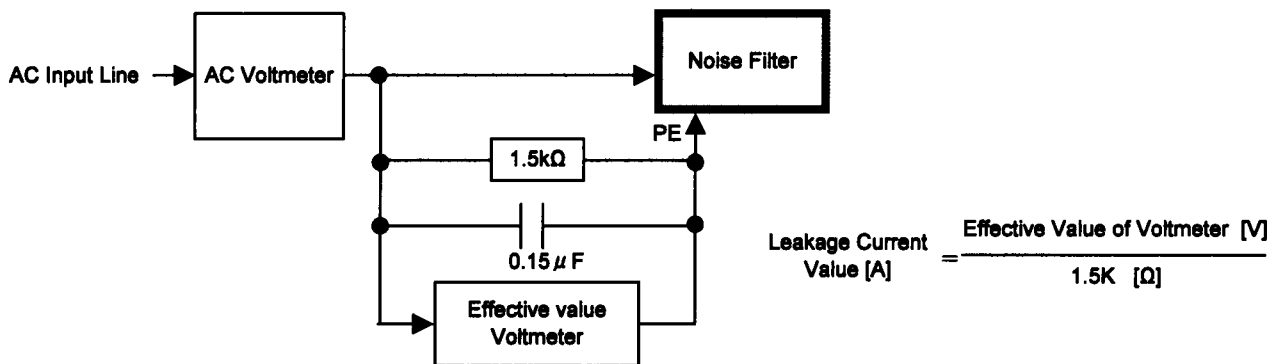


Figure C Leakage current measurement ( UL1283 )