

**TEST DATA OF NAC-06-□□□****Noise Filter**

Apr. 22. 2005

Approved by : Toshio Watanabe  
Toshio Watanabe Design Manager

Prepared by : Tadayuki Noda  
Tadayuki Noda Design Engineer

**COSEL CO.,LTD.**



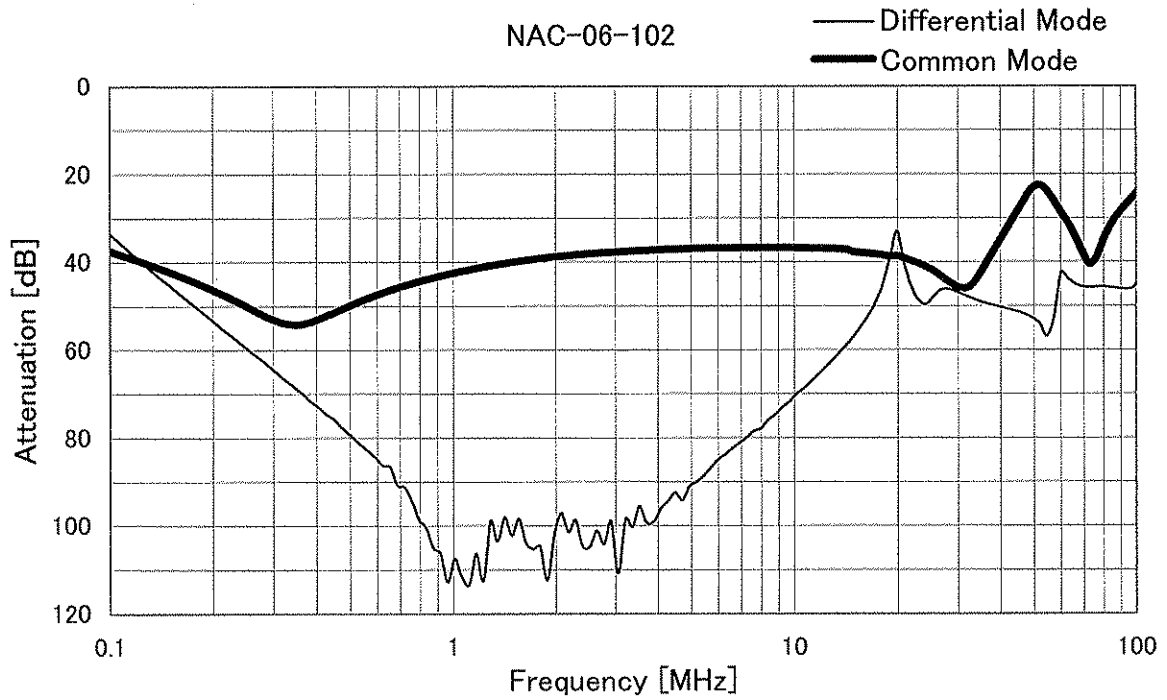
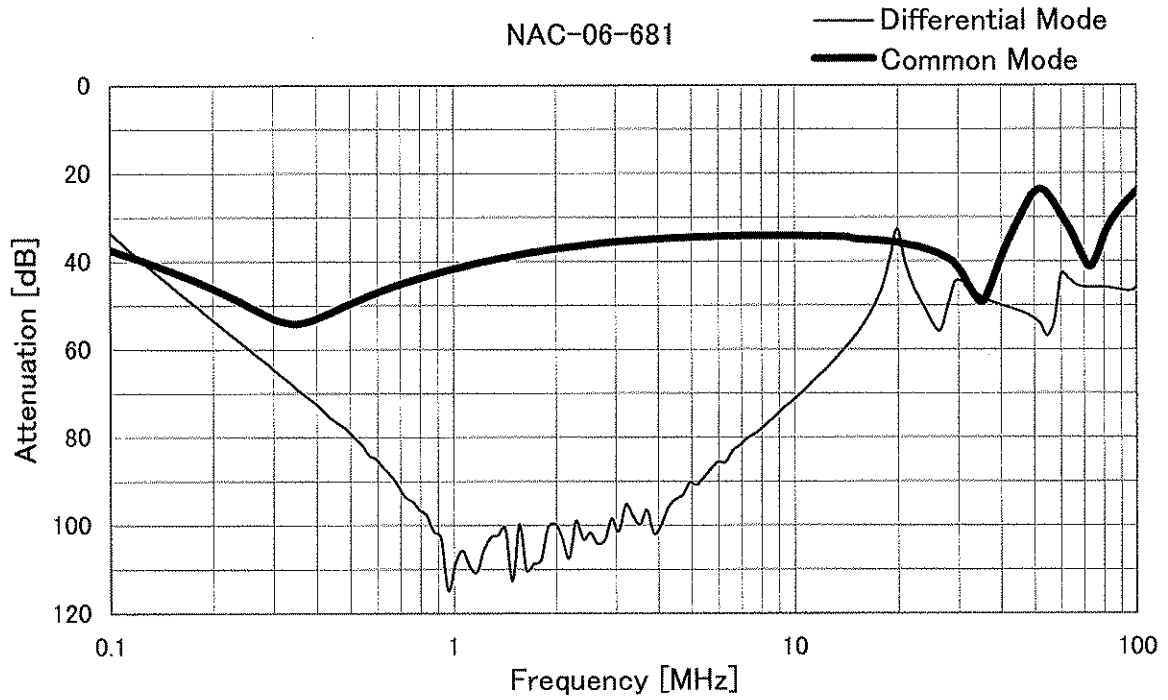
CONTENTS

1.Attenuation Characteristics ..... 1  
2.Pulse Attenuation Characteristics ..... 4  
3.Leakage Current ..... 6  
4.Figure of Testing Circuitry ..... 7

(Final Page 8)



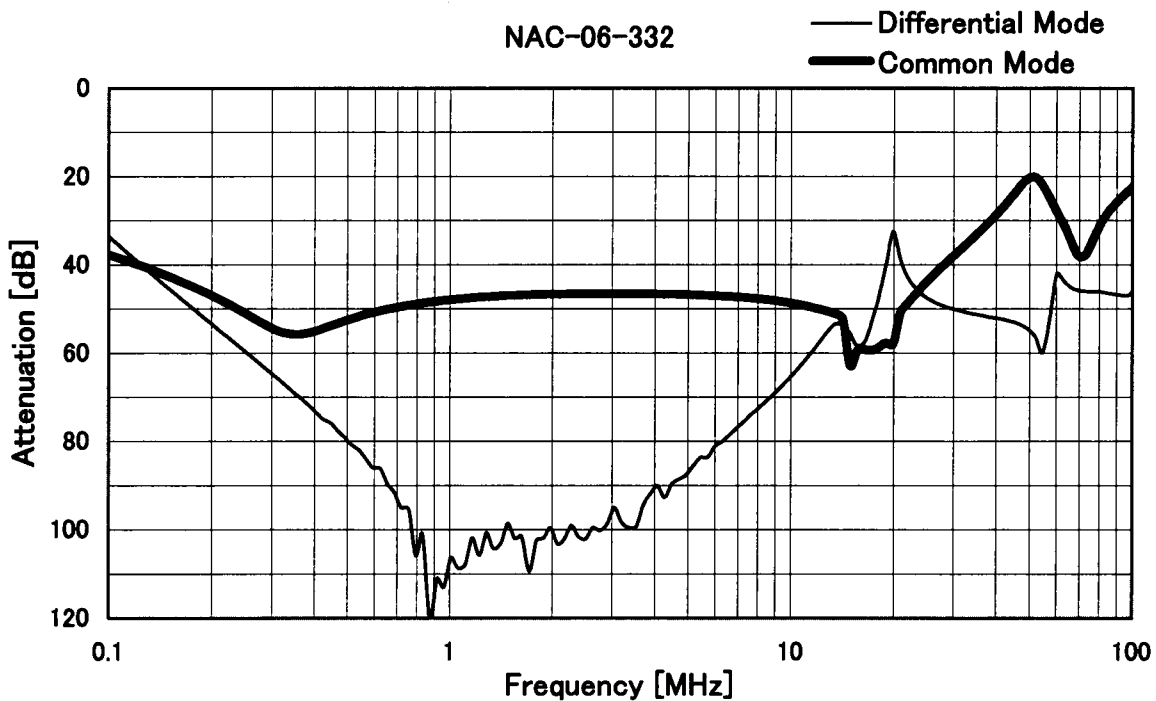
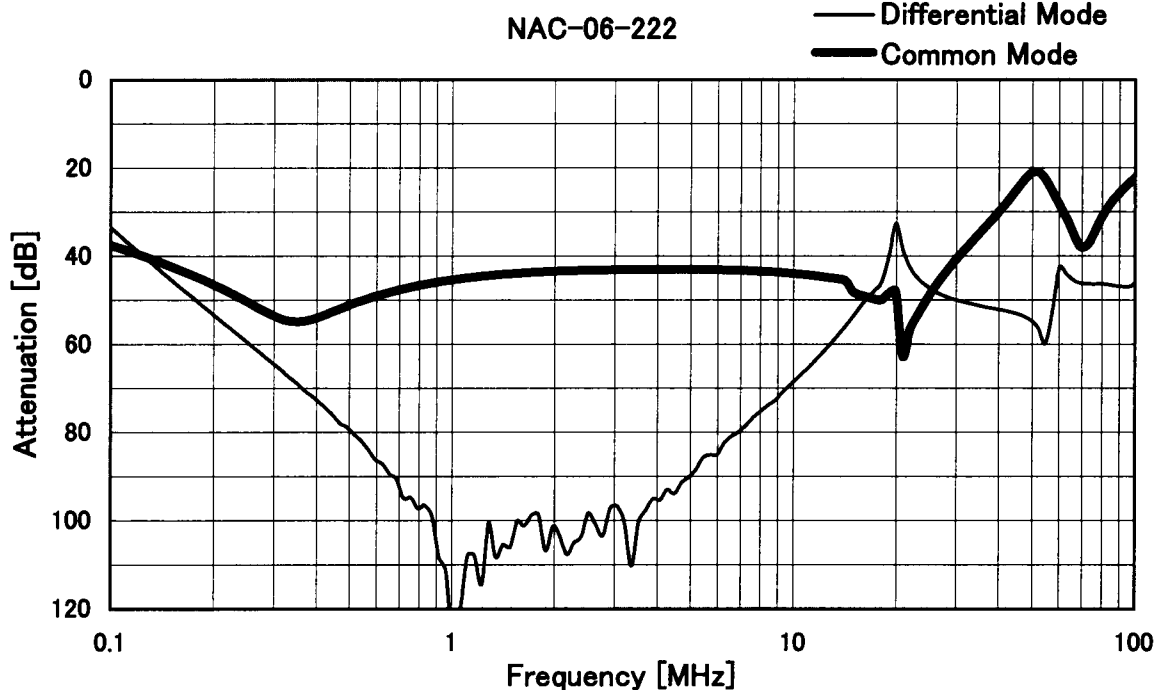
Model	NAC-06-□□□	Temperature	25°C
Item	Attenuation Characteristics	Testing Circuitry	Figure A
Object	_____		





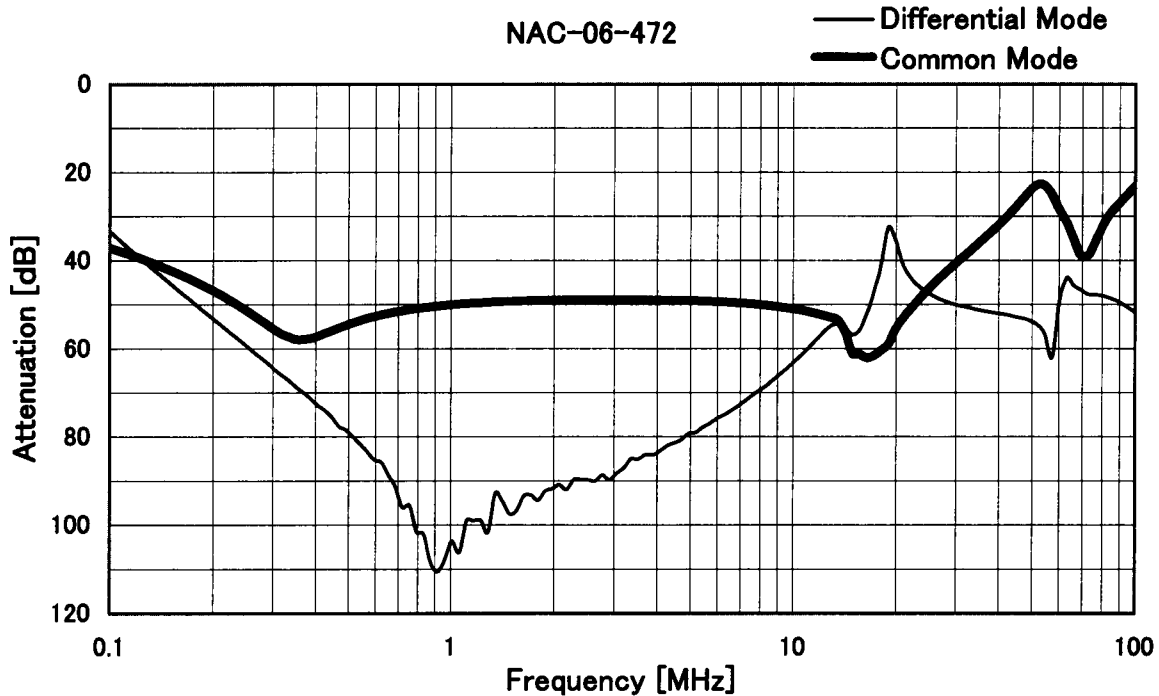
Model	NAC-06-□□□
Item	Attenuation Characteristics
Object	_____

Temperature 25°C  
Testing Circuitry Figure A



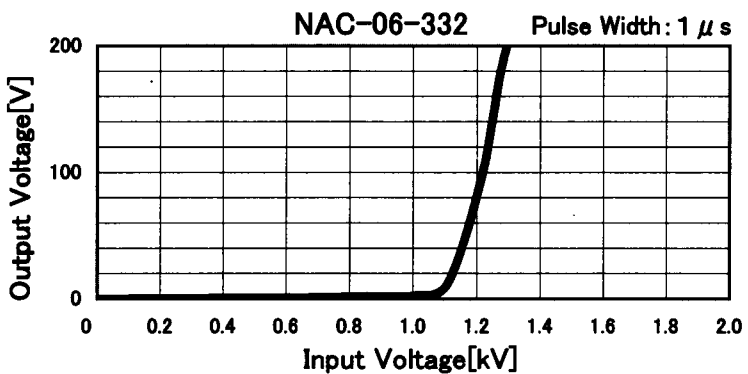
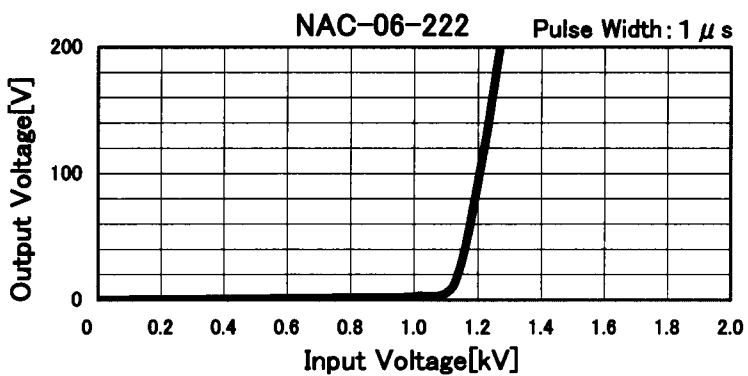
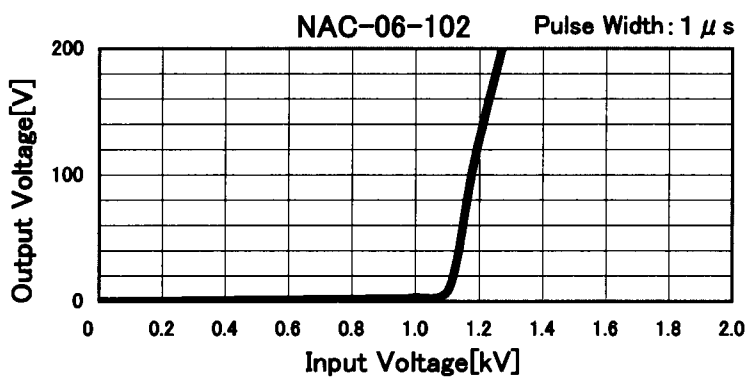
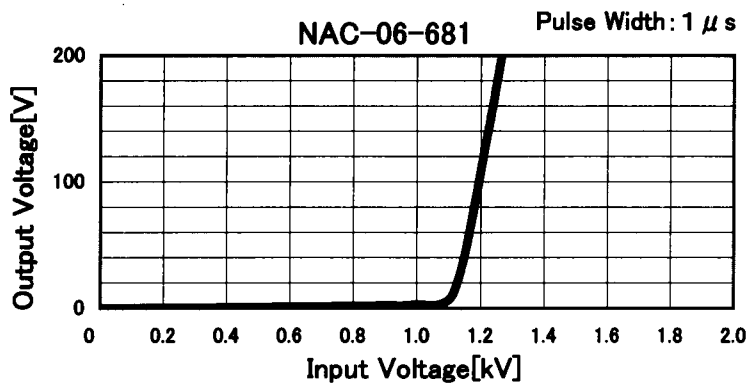


Model		NAC-06-□□□	Temperature 25°C Testing Circuitry Figure A
Item		Attenuation Characteristics	
Object		_____	



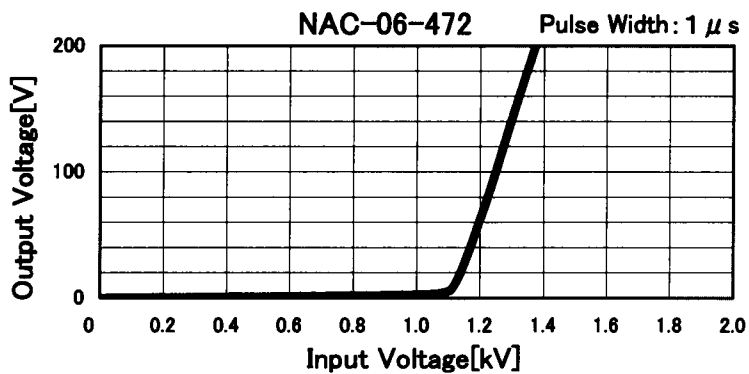


Model	NAC-06-□□□	Temperature	25°C
Item	Pulse Attenuation Characteristics	Testing Circuitry	Figure B
Object	_____		





<b>COSEL</b>		
Model	NAC-06-□□□	Temperature 25°C Testing Circuitry Figure B
Item	Pulse Attenuation Characteristics	
Object	_____	





<b>COSEL</b>		Temperature 25°C Testing Circuitry Figure C
Model	NAC-06-□□□	
Item	Leakage Current	
Object	_____	

1.Results

[mA]

Model	Standards	Input Volt.				Note
		100 [V]	125 [V]	230 [V]	250 [V]	
NAC-06-681	UL1283	0.031	0.040	0.082	0.093	
NAC-06-102	UL1283	0.044	0.056	0.110	0.120	
NAC-06-222	UL1283	0.090	0.120	0.230	0.250	
NAC-06-332	UL1283	0.130	0.170	0.340	0.370	
NAC-06-472	UL1283	0.190	0.240	0.480	0.520	

2.Condition

Leakage current value is concluded after measuring both phases of AC input and by choosing the larger one.



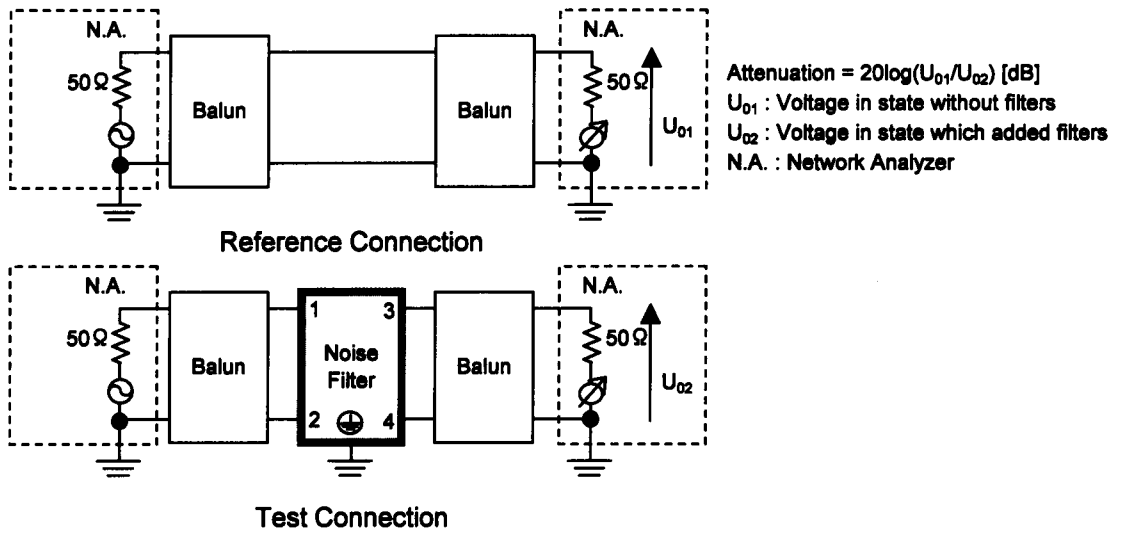


Figure A - 1 Differential mode attenuation measurement

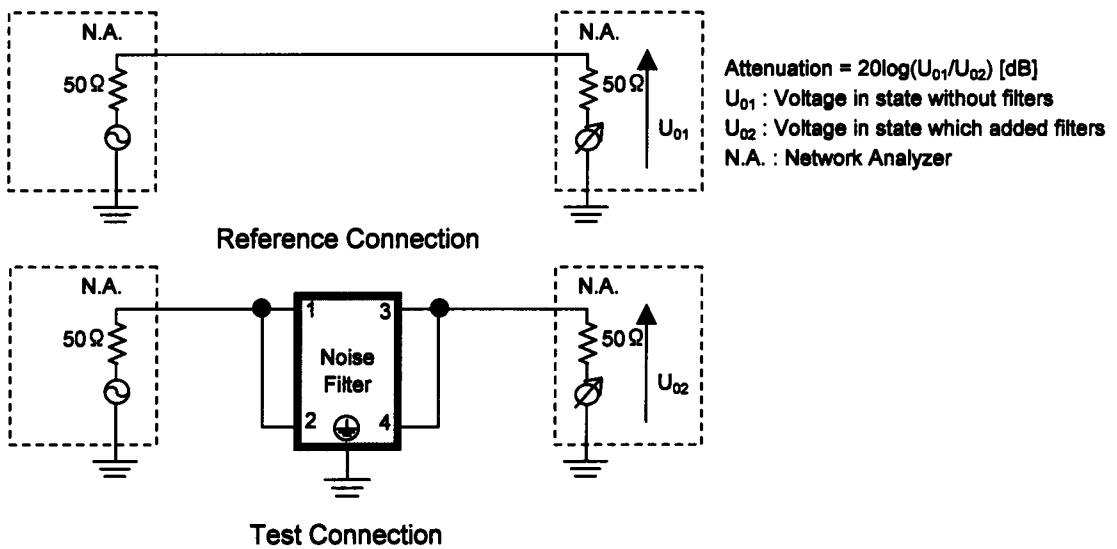
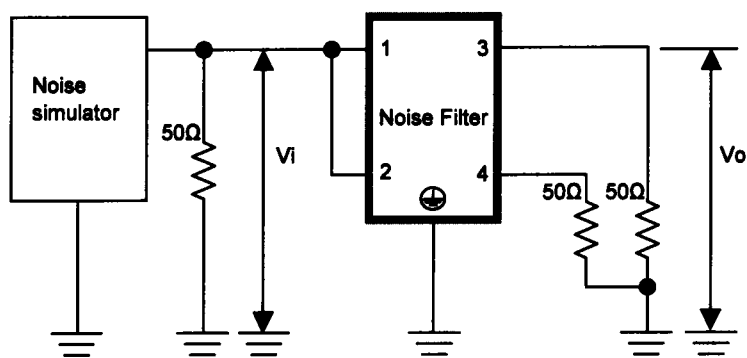


Figure A - 2 Common mode attenuation measurement



Pulse attenuation measurement

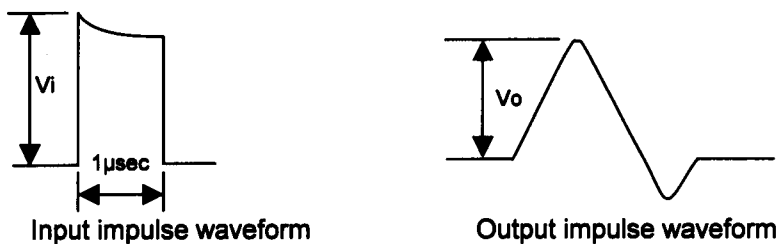


Figure B Pulse attenuation measurement

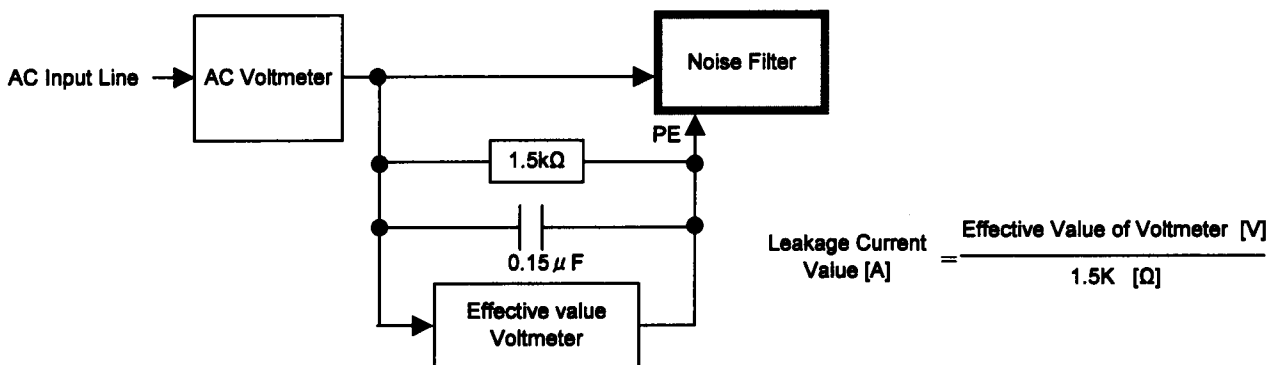


Figure C Leakage current measurement ( UL1283 )