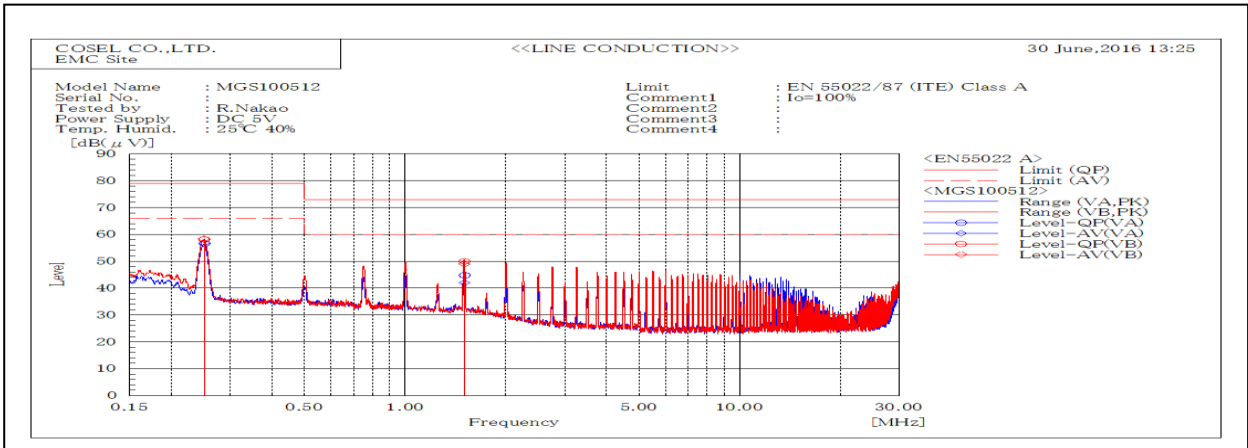
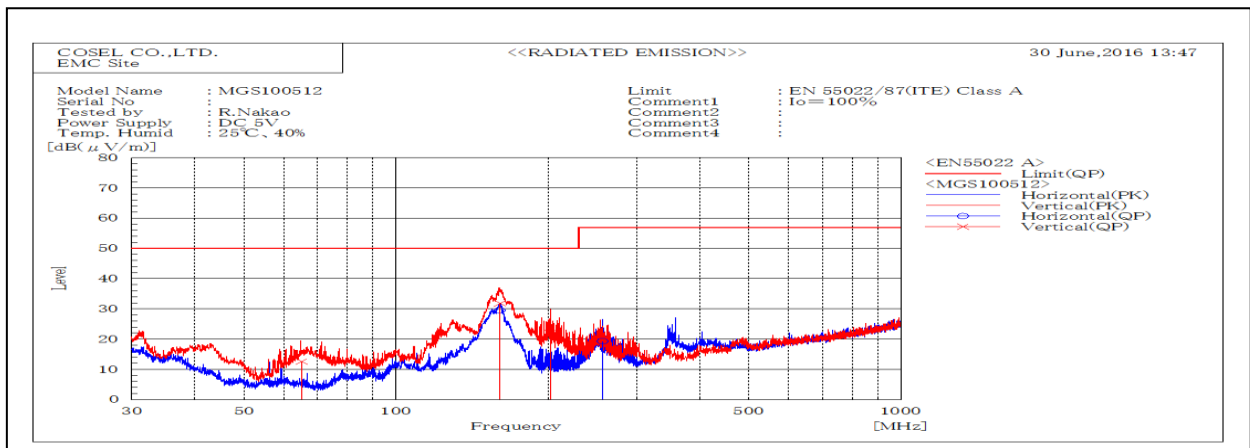


DATA SHEET		Date	15-Jul-16
Model	MGS100512	Temp.	25 degreeC
Test	EMI Line conduction & Radiated emission	Humid.	40 %RH
		Tested by	R.Nakao



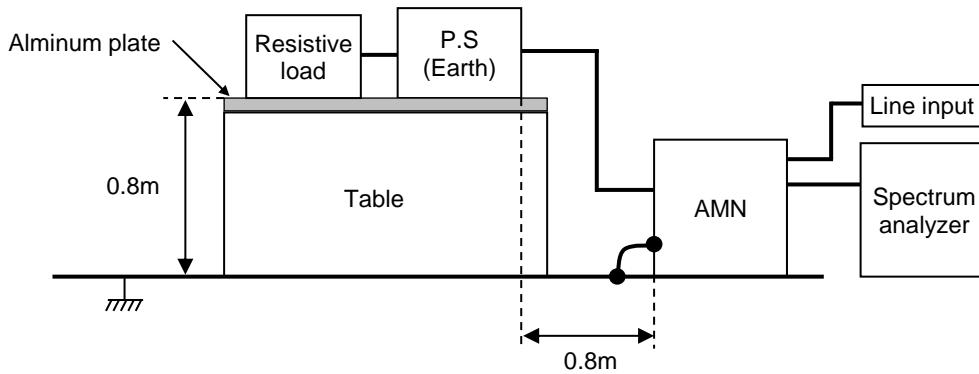
Frequency MHz	Harm	Line Phase	Reading dB(uV)		Factor dB	Level dB(uV)		Limit dB(uV)		Margin dB		Pass/Fail	Remark
			QP	AV		QP	AV	QP	AV	QP	AV		
0.25099		VA	36.6	36.8	20.0	56.6	56.8	79	66	22.4	9.2	Pass	
0.2506		VB	38.1	38.3	20.0	58.1	58.3	79	66	20.9	7.7	Pass	
1.50252		VB	29.9	28.9	20.0	49.9	48.9	73	60	23.1	11.1	Pass	
1.50688		VA	24.8	22.0	20.0	44.8	42.0	73	60	28.2	18.0	Pass	



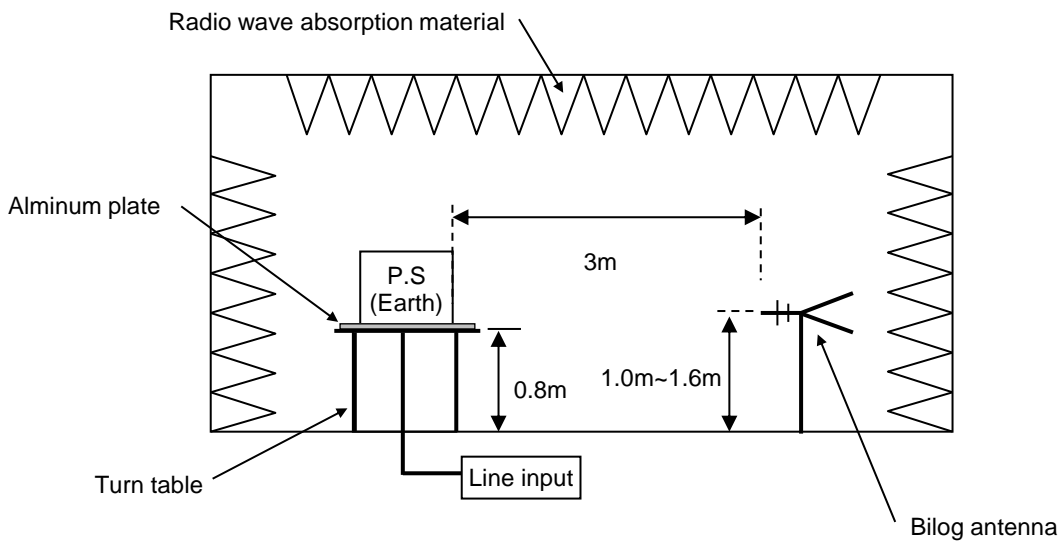
Frequency MHz	Polarization	Stability	Reading dB(uV)	Limit dB(uV/m)	Margin dB(uV/m)	Pass/Fail	Height cm	Angle deg	Remark
			QP	QP	QP				
65.097	V	Stable	12.6	50.0	37.4	Pass	127	136	
160.708	V	Stable	31.8	50.0	18.2	Pass	116	1	
160.500	H	Stable	29.5	50.0	20.5	Pass	157	274	
202.118	V	Stable	22.0	50.0	28.0	Pass	108	24	
256.399	H	Stable	19.4	57.0	37.6	Pass	126	48	

DATA SHEET		Date	15-Jul-16
Model	Circuit used for measurement	Temp.	25 degreeC
Test	EMI Line conduction & Radiated emission	Humid.	40 %RH
		Tested by	R.Nakao

1. Line conduction



2. Radiated emission

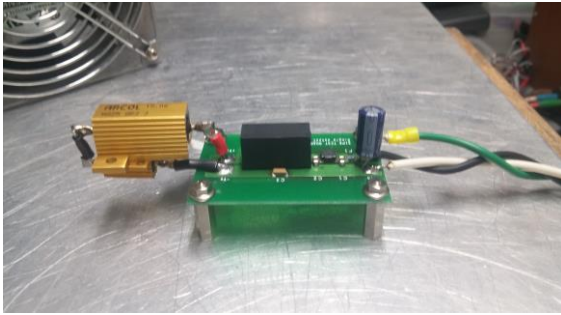


Conditions

Test : EMI
 Model Name : MGS10□□

○Photographs of Test Set-Up

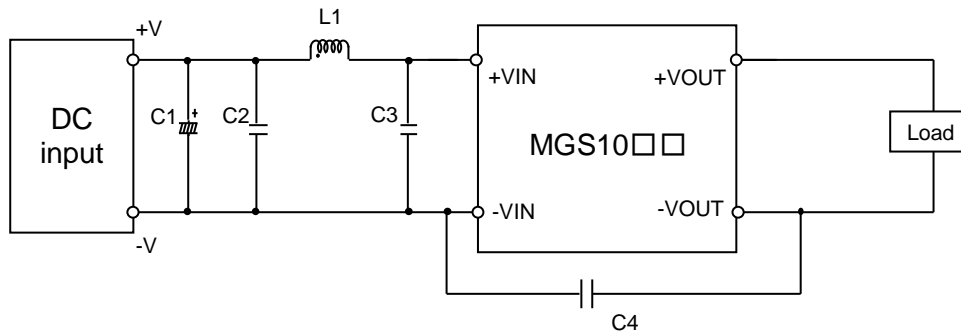
LINE CONDUCTION



RADIATED EMISSION



○Testing circuitry



- | | | | |
|------|-----------|--------------------|---|
| C1 : | MGS1005□□ | 25V 470 μ F | Electric capacitor (LXZseries NIPPON CHEMI-CON) |
| | MGS1012□□ | 50V 100 μ F | Electric capacitor (LXZseries NIPPON CHEMI-CON) |
| | MGS1024□□ | 50V 100 μ F | Electric capacitor (LXZseries NIPPON CHEMI-CON) |
| | MGS1048□□ | 100V 39 μ F | Electric capacitor (LXVseries NIPPON CHEMI-CON) |
| C2 : | MGS1005□□ | 16V 22 μ F | Ceramic capacitor (GRM31CC71C226K MURATA MANUFACTURING) |
| | MGS1012□□ | 25V 10 μ F | Ceramic capacitor (GRM31CR71E106K MURATA MANUFACTURING) |
| | MGS1024□□ | 50V 4.7 μ F | Ceramic capacitor (GRM31CR71H475K MURATA MANUFACTURING) |
| | MGS1048□□ | 100V 2.2 μ F | Ceramic capacitor (GRM31CC72A225K MURATA MANUFACTURING) |
| C3 : | MGS1005□□ | - | |
| | MGS1012□□ | 25V 10 μ F | Ceramic capacitor (GRM31CR71E106K MURATA MANUFACTURING) |
| | MGS1024□□ | 50V 4.7 μ F | Ceramic capacitor (GRM31CR71H475K MURATA MANUFACTURING) |
| | MGS1048□□ | 100V 2.2 μ F | Ceramic capacitor (GRM31CC72A225K MURATA MANUFACTURING) |
| C4 : | MGS1005□□ | 2kV 1000pF | Ceramic capacitor (GR442QR73D102K MURATA MANUFACTURING) |
| | MGS1012□□ | 2kV 1000pF | Ceramic capacitor (GR442QR73D102K MURATA MANUFACTURING) |
| | MGS1024□□ | 2kV 1000pF | Ceramic capacitor (GR442QR73D102K MURATA MANUFACTURING) |
| | MGS1048□□ | 2kV 2200pF | Ceramic capacitor (GR443QR73D222K MURATA MANUFACTURING) |
| L1 : | MGS1005□□ | 3000mA 1.5 μ H | Inductor(LQH5BPN1R5NT0 MURATA MANUFACTURING) |
| | MGS1012□□ | 2600mA 2.2 μ H | Inductor(LQH5BPN2R2NT0 MURATA MANUFACTURING) |
| | MGS1024□□ | 1600mA 10 μ H | Inductor(LQH5BPN100MT0 MURATA MANUFACTURING) |
| | MGS1048□□ | 1050mA 22 μ H | Inductor(LQH5BPN220MT0 MURATA MANUFACTURING) |