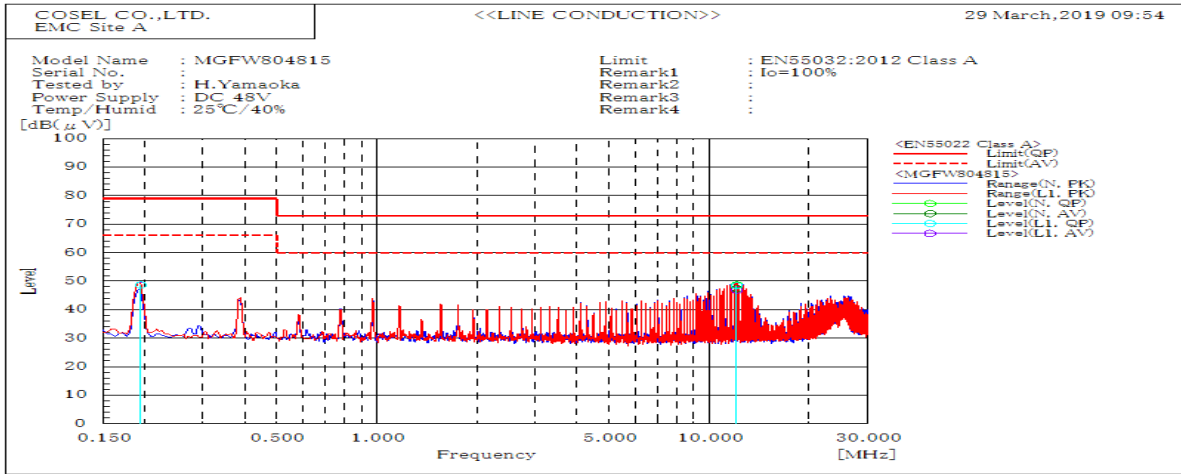
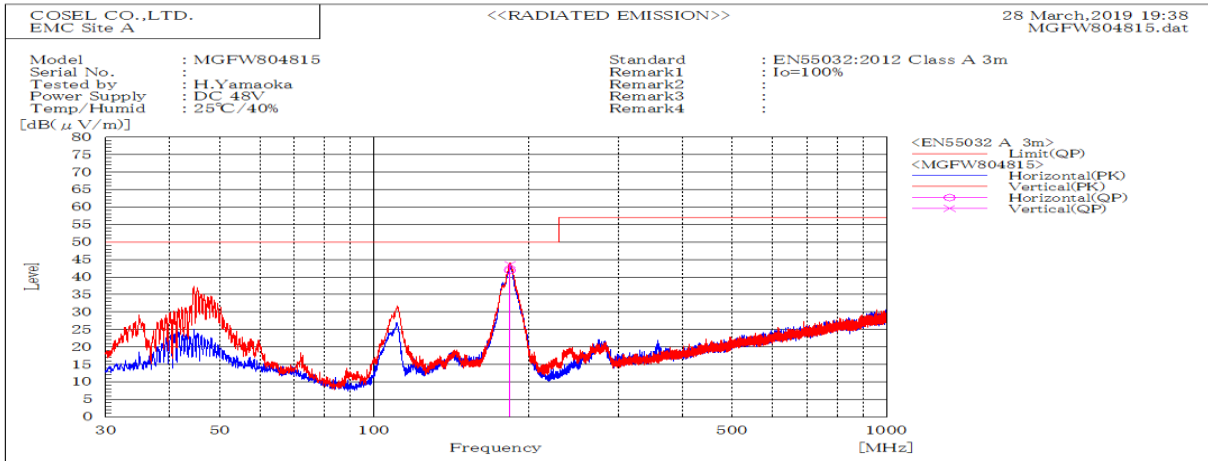


DATA SHEET		Date	23-Apr-19
Model	MGFW804815	Temp.	25 degreeC
Test	EMI Line conduction & Radiated emission	Humid.	40 %RH
		Tested by	H.Yamaoka



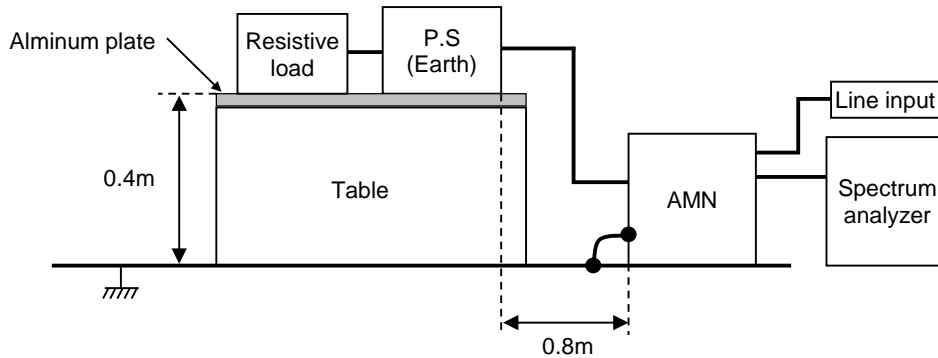
Frequency MHz	Line	Level		Limit		Margin		Pass/Fail	Remark
		dB(μV)		dB(μV)		dB			
		QP	AV	QP	AV	QP	AV		
0.195	L1	48.7	48.6	79	66	30.3	17.4	Pass	
12.082	L1	48.4	46.9	73	60	24.6	13.1	Pass	
12.078	N	48.7	47.4	73	60	24.3	12.6	Pass	



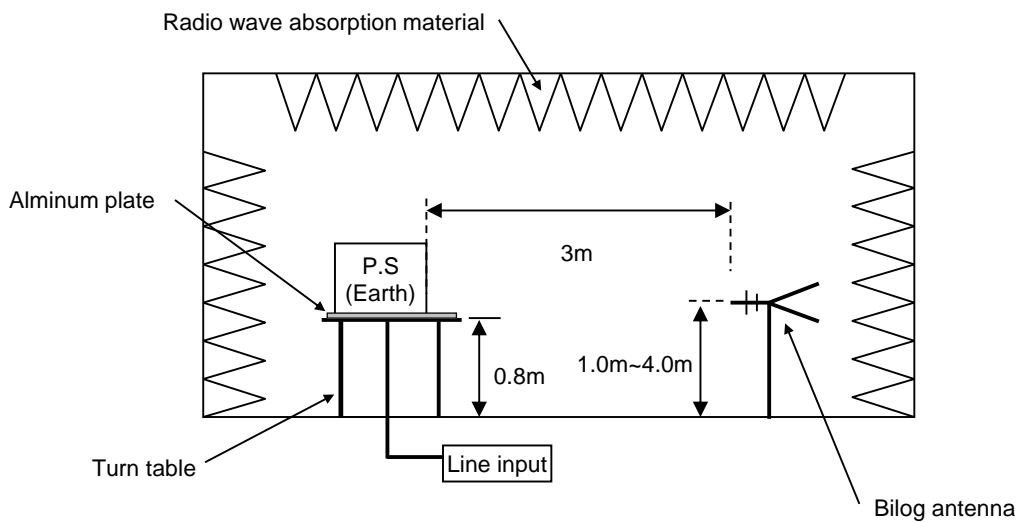
Frequency MHz	Polarization	Stability	Level		Margin dB	Pass/Fail	Height cm	Angle deg	Remark
			QP	QP					
184.288	H	Stable	41.9	50	8.1	Pass	139	0	
184.226	V	Stable	43.5	50	6.5	Pass	100	274.4	

DATA SHEET		Date	23-Apr-19
Model	Circuit used for measurement	Temp.	25 degreeC
Test	EMI Line conduction & Radiated emission	Humid.	40 %RH
		Tested by	H.Yamaoka

**1. Line conduction**



**2. Radiated emission**



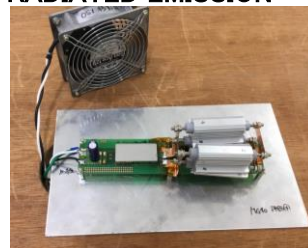
**Conditions**

Test : EMI  
 Model Name : MGFS80□□

○Photographs of Test Set-Up  
**LINE CONDUCTION**



**RADIATED EMISSION**



○Testing circuitry

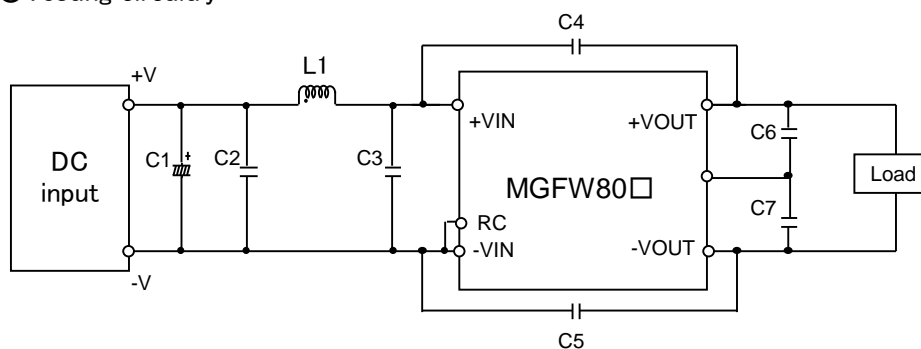


Fig.1 Testing circuitry

- C1 : MGFS8024□□ 63V 470  $\mu$ F Electrolytic capacitor (ELXZseries NIPPON CHEMI-CON)  
 MGFS8048□□ 100V 220  $\mu$ F Electrolytic capacitor (KYseries NIPPON CHEMI-CON)
- C2 : MGFS8024□□ 50V 10  $\mu$ F Ceramic capacitor (GRM32ER71H106K MURATA MANUFACTURING)  
 MGFS8048□□ 100V 4.7  $\mu$ F Ceramic capacitor (HMK325C7475K TAIYOU YUDEN)
- C3 : MGFS8024□□ 50V 10  $\mu$ F Ceramic capacitor (GRM32ER71H106K MURATA MANUFACTURING)  
 MGFS8048□□ 100V 4.7  $\mu$ F Ceramic capacitor (HMK325C7475K TAIYOU YUDEN)
- C4,C5 : MGFS8024□□ 2kV 2200pF Ceramic capacitor  
 (GR443QR73D222KW01 MURATA MANUFACTURING)  
 MGFS8048□□ 2kV 2200pF Ceramic capacitor  
 (GR443QR73D222KW01 MURATA MANUFACTURING)
- C6 : MGFS8024□□ 25V 22  $\mu$ F Ceramic capacitor (GRM32ER71E226K MURATA MANUFACTURING)  
 MGFS8048□□ 25V 22  $\mu$ F Ceramic capacitor (GRM32ER71E226K MURATA MANUFACTURING)
- C7 : MGFS8024□□ 25V 22  $\mu$ F Ceramic capacitor (GRM32ER71E226K MURATA MANUFACTURING)  
 MGFS8048□□ 25V 22  $\mu$ F Ceramic capacitor (GRM32ER71E226K MURATA MANUFACTURING)
- L1 : MGFS8024□□ 15.0A 1.0  $\mu$ H Inductor (SRP7050TA-1R0M BOURNS)  
 MGFS8048□□ 8.0A 3.3  $\mu$ H Inductor (SRP7050TA-3R3M BOURNS)