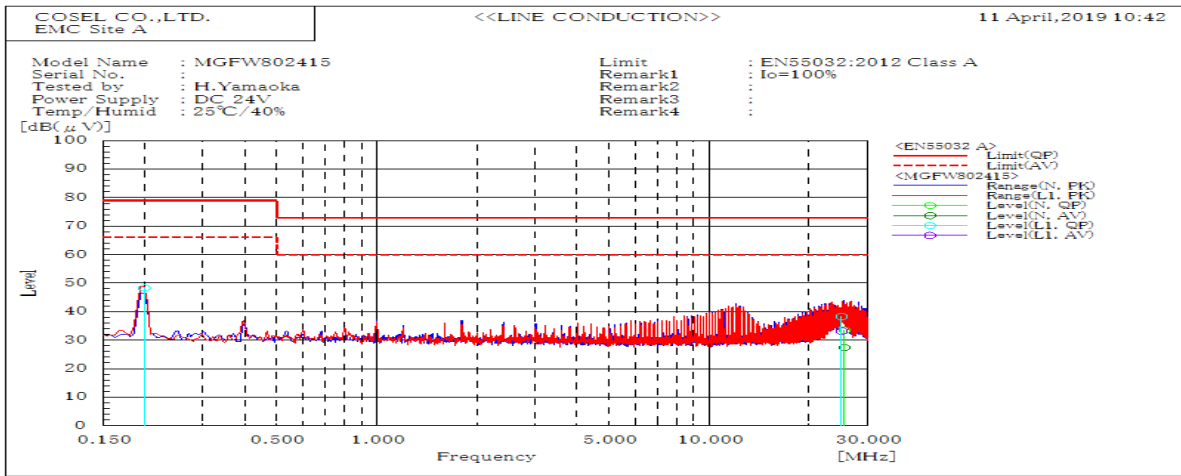
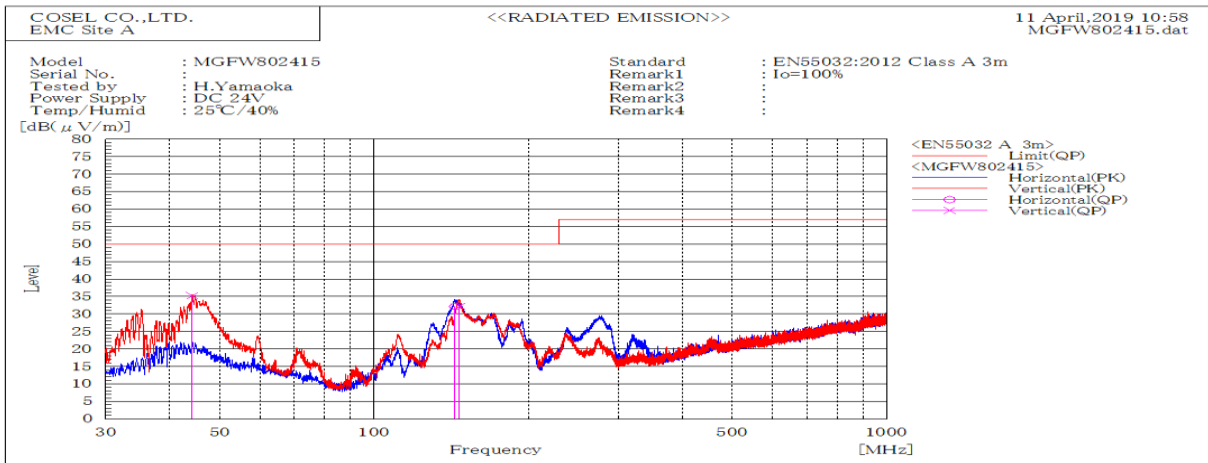


DATA SHEET		Date	23-Apr-19
Model	MGFW802415	Temp.	25 degreeC
Test	EMI Line conduction & Radiated emission	Humid.	40 %RH
		Tested by	H.Yamaoka



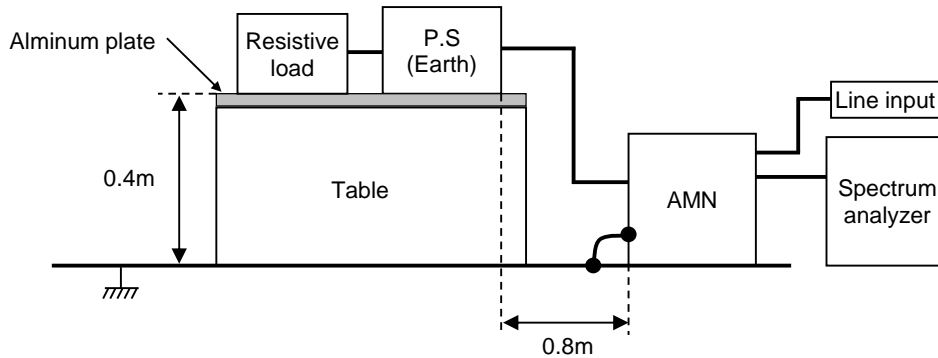
Frequency MHz	Line	Level		Limit		Margin		Pass/Fail	Remark
		dB(μV)		dB(μV)		dB			
		QP	AV	QP	AV	QP	AV		
0.2	L1	48.4	48.3	79	66	30.6	17.7	Pass	
25.015	L1	38.3	33.2	73	60	34.7	26.8	Pass	
25.51	N	33.5	27.4	73	60	39.5	32.6	Pass	



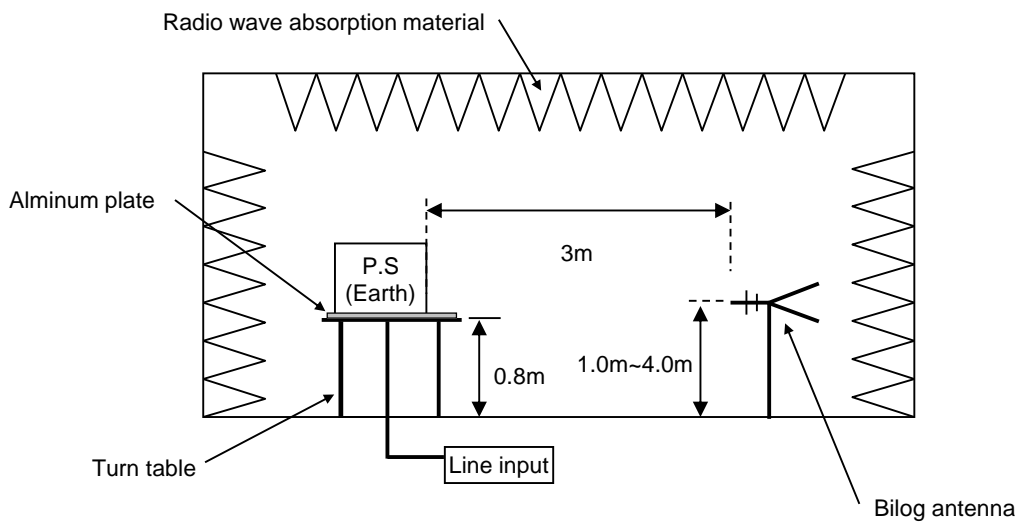
Frequency MHz	Polarization	Stability	Level		Margin dB	Pass/Fail	Height cm	Angle deg	Remark
			dB(uV/m)	Limit dB(uV/m)					
144.054	H	Stable	32.2	50	17.8	Pass	214.7	6.7	
146.896	V	Stable	32.3	50	17.7	Pass	101.5	348.6	
44.268	V	Stable	35.2	50	14.8	Pass	100	296.7	

DATA SHEET		Date	23-Apr-19
Model	Circuit used for measurement	Temp.	25 degreeC
Test	EMI Line conduction & Radiated emission	Humid.	40 %RH
		Tested by	H.Yamaoka

1. Line conduction



2. Radiated emission



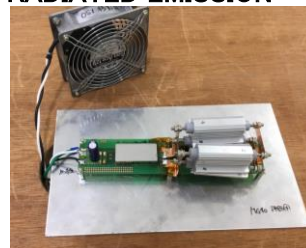
Conditions

Test : EMI
 Model Name : MGFS80□□

○Photographs of Test Set-Up
LINE CONDUCTION



RADIATED EMISSION



○Testing circuitry

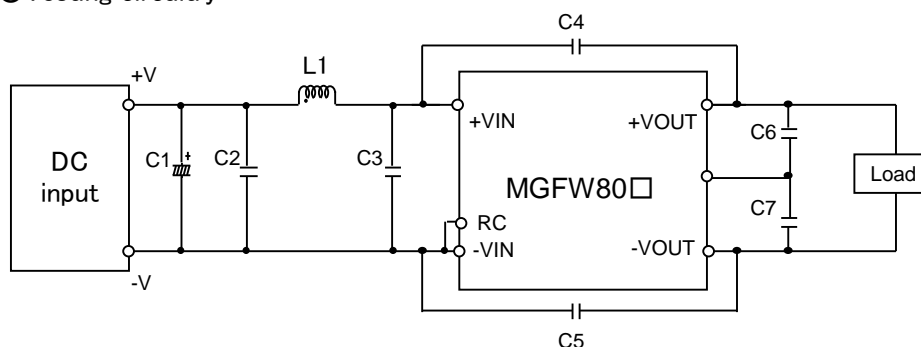


Fig.1 Testing circuitry

- C1 : MGFS8024□□ 63V 470 μ F Electrolytic capacitor (ELXZseries NIPPON CHEMI-CON)
 MGFS8048□□ 100V 220 μ F Electrolytic capacitor (KYseries NIPPON CHEMI-CON)
- C2 : MGFS8024□□ 50V 10 μ F Ceramic capacitor (GRM32ER71H106K MURATA MANUFACTURING)
 MGFS8048□□ 100V 4.7 μ F Ceramic capacitor (HMK325C7475K TAIYOU YUDEN)
- C3 : MGFS8024□□ 50V 10 μ F Ceramic capacitor (GRM32ER71H106K MURATA MANUFACTURING)
 MGFS8048□□ 100V 4.7 μ F Ceramic capacitor (HMK325C7475K TAIYOU YUDEN)
- C4,C5 : MGFS8024□□ 2kV 2200pF Ceramic capacitor (GR443QR73D222KW01 MURATA MANUFACTURING)
 MGFS8048□□ 2kV 2200pF Ceramic capacitor (GR443QR73D222KW01 MURATA MANUFACTURING)
- C6 : MGFS8024□□ 25V 22 μ F Ceramic capacitor (GRM32ER71E226K MURATA MANUFACTURING)
 MGFS8048□□ 25V 22 μ F Ceramic capacitor (GRM32ER71E226K MURATA MANUFACTURING)
- C7 : MGFS8024□□ 25V 22 μ F Ceramic capacitor (GRM32ER71E226K MURATA MANUFACTURING)
 MGFS8048□□ 25V 22 μ F Ceramic capacitor (GRM32ER71E226K MURATA MANUFACTURING)
- L1 : MGFS8024□□ 15.0A 1.0 μ H Inductor (SRP7050TA-1R0M BOURNS)
 MGFS8048□□ 8.0A 3.3 μ H Inductor (SRP7050TA-3R3M BOURNS)