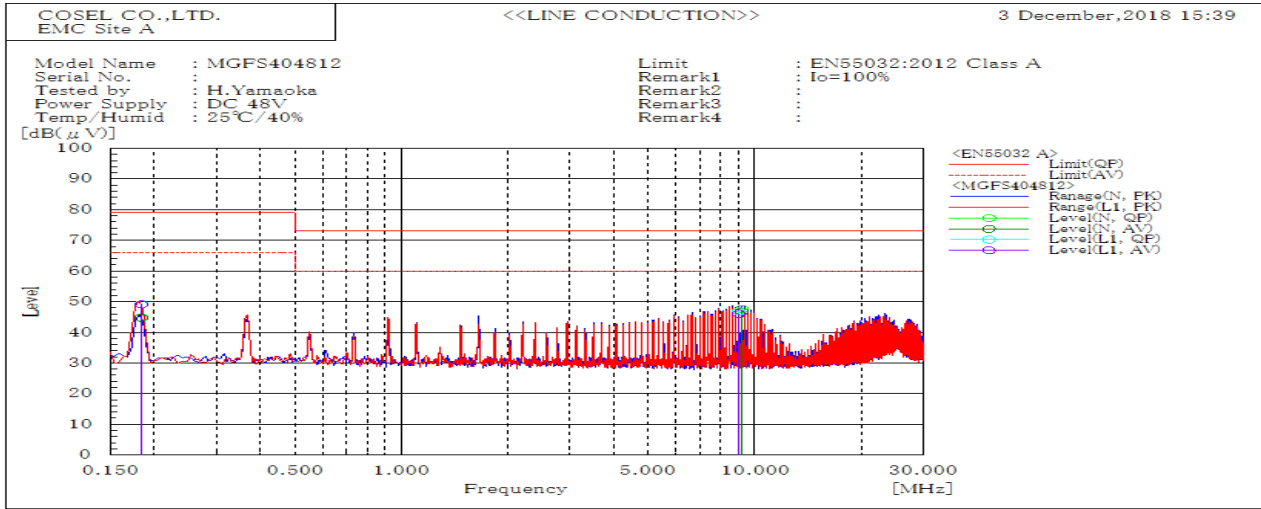
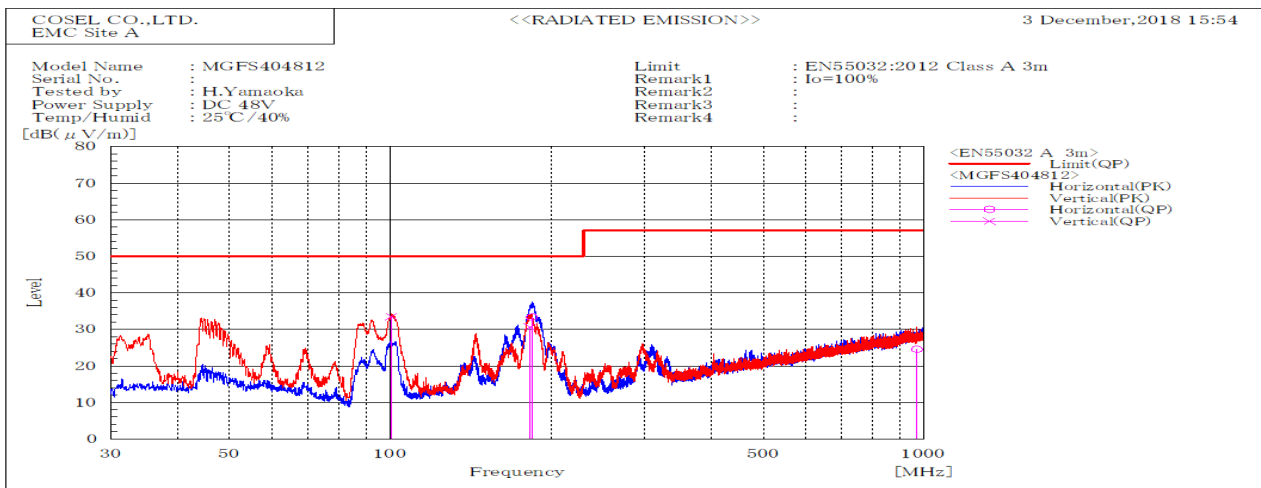


DATA SHEET		Date	15-Jan-19
Model	MGFS404812	Temp.	25 degreeC
Test	EMI Line conduction & Radiated emission	Humid.	40 %RH
		Tested by	H.Yamaoka



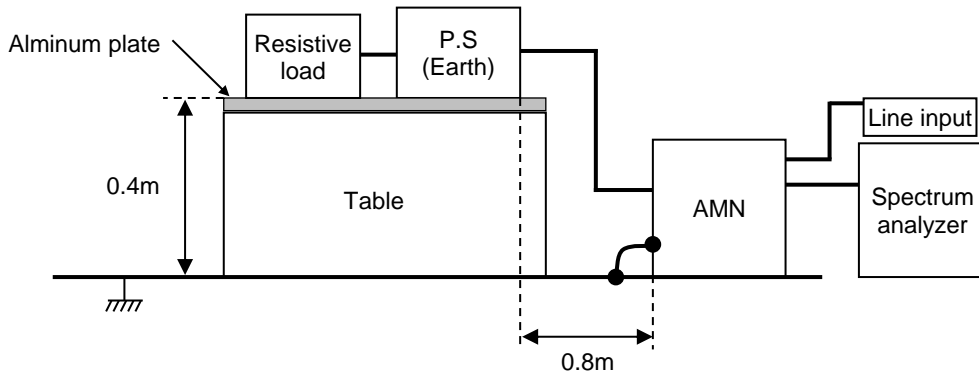
Frequency MHz	Line	Level dB(μV)		Limit dB(μV)		Margin dB		Pass/Fail	Remark
		QP	AV	QP	AV	QP	AV		
0.184	L1	49.2	49.1	79	66	29.8	16.9	Pass	
9.013	L1	46.9	46.1	73	60	26.1	13.9	Pass	
9.193	N	47.5	46.8	73	60	25.5	13.2	Pass	
0.184	N	44.9	44.7	79	66	34.1	21.3	Pass	



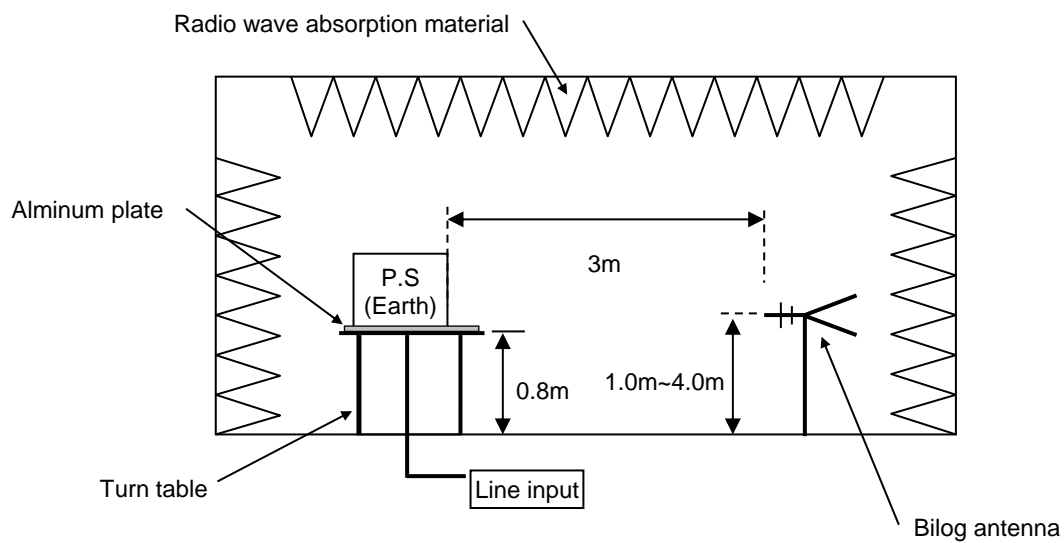
Frequency MHz	Polarization	Stability	Level dB(μV/m)		Limit dB(μV/m)	Margin dB	Pass/Fail	Height cm	Angle deg	Remark
			QP	QP						
182.821	V	Stable	30.7	50	19.3	Pass	100	212		
100.627	V	Stable	33.5	50	16.5	Pass	101.4	238.1		
184.165	H	Stable	33.4	50	16.6	Pass	148.4	195.2		
968.907	H	Stable	24.6	57	32.4	Pass	307.9	11.2		

DATA SHEET		Date	15-Jan-19
Model	Circuit used for measurement	Temp.	25 degreeC
Test	EMI Line conduction & Radiated emission	Humid.	40 %RH
		Tested by	H.Yamaoka

1. Line conduction



2. Radiated emission



Conditions

Test : EMI

Model Name: MGFS40□□

○Photographs of Test Set-Up
LINE CONDUCTION



RADIATED EMISSION



○Testing circuitry

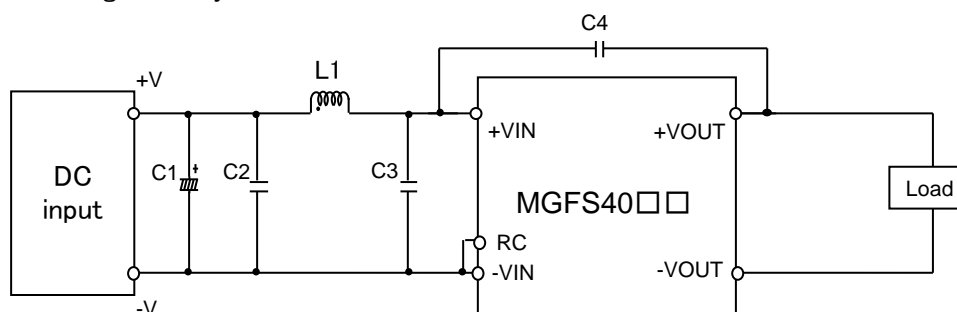


Fig.1 Testing circuitry

- | | | |
|------|------------|---|
| C1 : | MGFS4005□□ | 10V 4700μ F Electrolytic capacitor (UHWseries NICHICON CORPORATION) |
| | MGFS4024□□ | 63V 220μ F Electrolytic capacitor (KYseries NIPPON CHEMI-CON) |
| | MGFS4048□□ | 100V 220μ F Electrolytic capacitor (KYseries NIPPON CHEMI-CON) |
| C2 : | MGFS4005□□ | 16V 22μ F Ceramic capacitor (GRM32ER71C226K MURATA MANUFACTURING) |
| | MGFS4024□□ | 50V 10μ F Ceramic capacitor (GRM32ER71H106K MURATA MANUFACTURING) |
| | MGFS4048□□ | 100V 4.7μ F Ceramic capacitor (HMK325AC7475K TAIYOU YUDEN) |
| C3 : | MGFS4005□□ | 16V 22μ F Ceramic capacitor (GRM32ER71C226K MURATA MANUFACTURING) |
| | MGFS4024□□ | 50V 10μ F Ceramic capacitor (GRM32ER71H106K MURATA MANUFACTURING) |
| | MGFS4048□□ | 100V 4.7μ F Ceramic capacitor (HMK325AC7475K TAIYOU YUDEN) |
| C4 : | MGFS4005□□ | 2kV 1000pF Ceramic capacitor (GR431BR7LA102K MURATA MANUFACTURING) |
| | MGFS4024□□ | 2kV 1000pF Ceramic capacitor (GR431BR7LA102K MURATA MANUFACTURING) |
| | MGFS4048□□ | 2kV 1000pF Ceramic capacitor (GR431BR7LA102K MURATA MANUFACTURING) |
| L1 : | MGFS4005□□ | 15.0A 1.0μ H Inductor (SRP7050TA-1R0M BOURNS) |
| | MGFS4024□□ | 12.0A 1.8μ H Inductor (SRP7050TA-1R8M BOURNS) |
| | MGFS4048□□ | 6.0A 5.6μ H Inductor (SRP7050TA-5R6M BOURNS) |