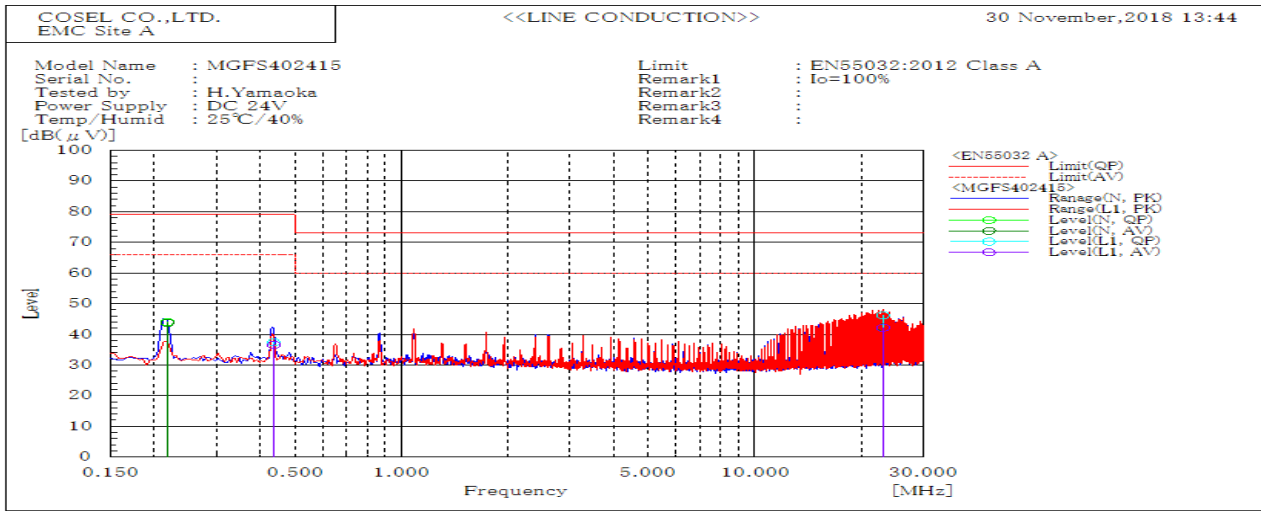
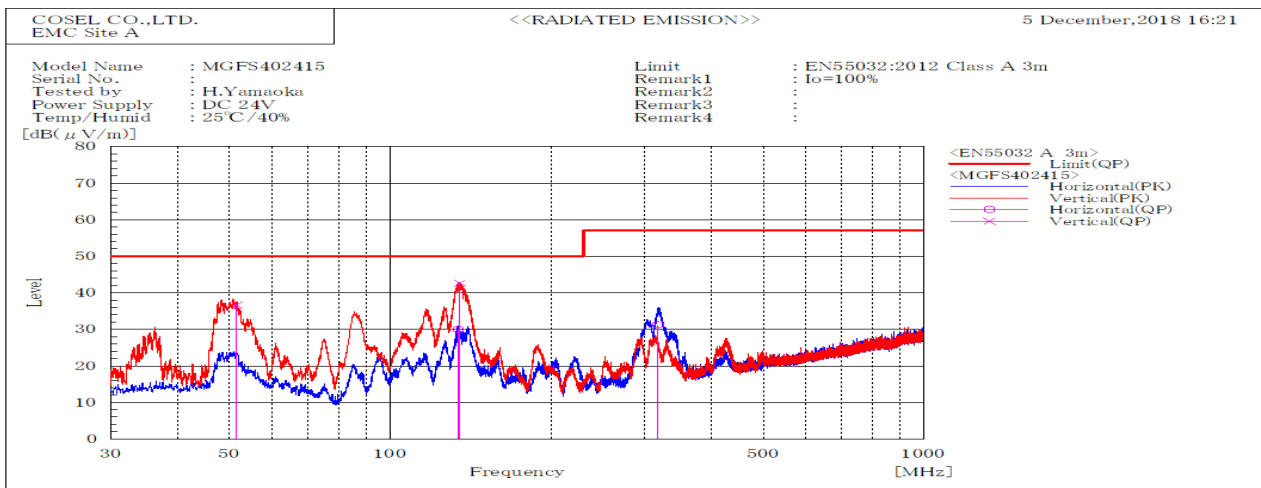


DATA SHEET		Date	15-Jan-19
Model	MGFS402415	Temp.	25 degreeC
Test	EMI Line conduction & Radiated emission	Humid.	40 %RH
		Tested by	H.Yamaoka



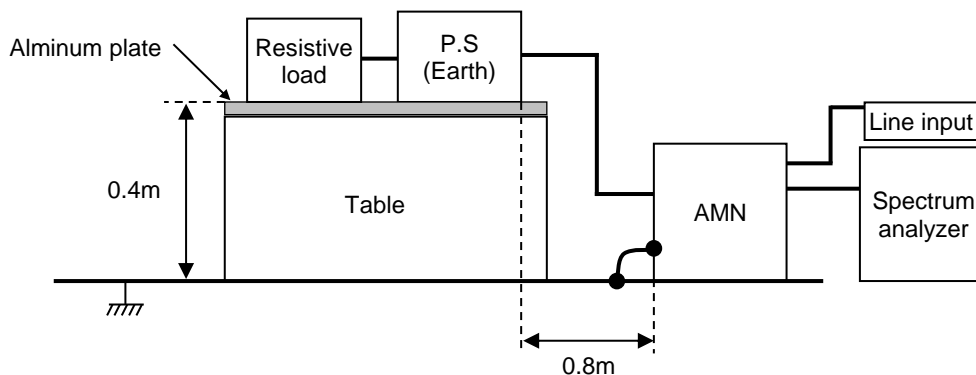
Frequency MHz	Line	Level dB(μV)		Limit dB(μV)		Margin dB		Pass/Fail	Remark
		QP	AV	QP	AV	QP	AV		
23.074	N	46.2	42.2	73	60	26.8	17.8	Pass	
0.218	N	44	43.8	79	66	35	22.2	Pass	
23.069	L1	46.2	42.1	73	60	26.8	17.9	Pass	
0.436	L1	37.4	36.6	79	66	41.6	29.4	Pass	



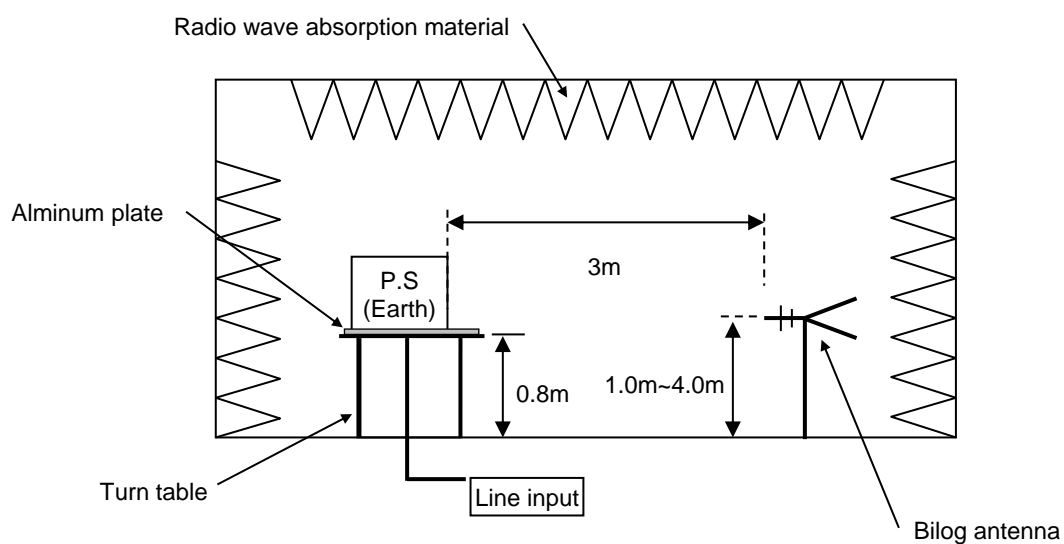
Frequency MHz	Polarization	Stability	Level dB(μV/m)		Limit dB(μV/m)	Margin dB	Pass/Fail	Height cm	Angle deg	Remark
			QP	QP						
134.904	V	Stable	42.5	50	7.5	Pass	100	350.4		
317.22	H	Stable	31.2	57	25.8	Pass	100.2	334.8		
134.012	H	Stable	30	50	20	Pass	200.9	117.8		
51.671	V	Stable	36.7	50	13.3	Pass	134.3	311.6		

DATA SHEET		Date	15-Jan-19
Model	Circuit used for measurement	Temp.	25 degreeC
Test	EMI Line conduction & Radiated emission	Humid.	40 %RH
		Tested by	H.Yamaoka

1. Line conduction



2. Radiated emission



Conditions

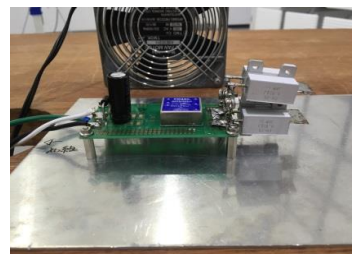
Test : EMI

Model Name: MGFS40□□

○Photographs of Test Set-Up
LINE CONDUCTION



RADIATED EMISSION



○Testing circuitry

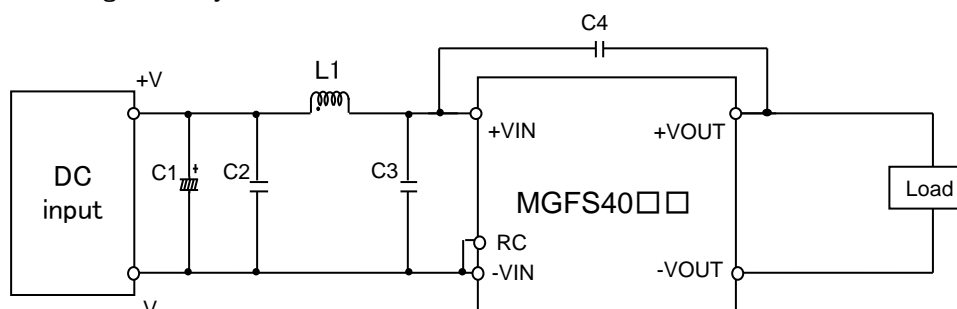


Fig.1 Testing circuitry

- | | | |
|------|------------|---------------------------------------------------------------------|
| C1 : | MGFS4005□□ | 10V 4700μ F Electrolytic capacitor (UHWseries NICHICON CORPORATION) |
| | MGFS4024□□ | 63V 220μ F Electrolytic capacitor (KYseries NIPPON CHEMI-CON) |
| | MGFS4048□□ | 100V 220μ F Electrolytic capacitor (KYseries NIPPON CHEMI-CON) |
| C2 : | MGFS4005□□ | 16V 22μ F Ceramic capacitor (GRM32ER71C226K MURATA MANUFACTURING) |
| | MGFS4024□□ | 50V 10μ F Ceramic capacitor (GRM32ER71H106K MURATA MANUFACTURING) |
| | MGFS4048□□ | 100V 4.7μ F Ceramic capacitor (HMK325AC7475K TAIYOU YUDEN) |
| C3 : | MGFS4005□□ | 16V 22μ F Ceramic capacitor (GRM32ER71C226K MURATA MANUFACTURING) |
| | MGFS4024□□ | 50V 10μ F Ceramic capacitor (GRM32ER71H106K MURATA MANUFACTURING) |
| | MGFS4048□□ | 100V 4.7μ F Ceramic capacitor (HMK325AC7475K TAIYOU YUDEN) |
| C4 : | MGFS4005□□ | 2kV 1000pF Ceramic capacitor (GR431BR7LA102K MURATA MANUFACTURING) |
| | MGFS4024□□ | 2kV 1000pF Ceramic capacitor (GR431BR7LA102K MURATA MANUFACTURING) |
| | MGFS4048□□ | 2kV 1000pF Ceramic capacitor (GR431BR7LA102K MURATA MANUFACTURING) |
| L1 : | MGFS4005□□ | 15.0A 1.0μ H Inductor (SRP7050TA-1R0M BOURNS) |
| | MGFS4024□□ | 12.0A 1.8μ H Inductor (SRP7050TA-1R8M BOURNS) |
| | MGFS4048□□ | 6.0A 5.6μ H Inductor (SRP7050TA-5R6M BOURNS) |