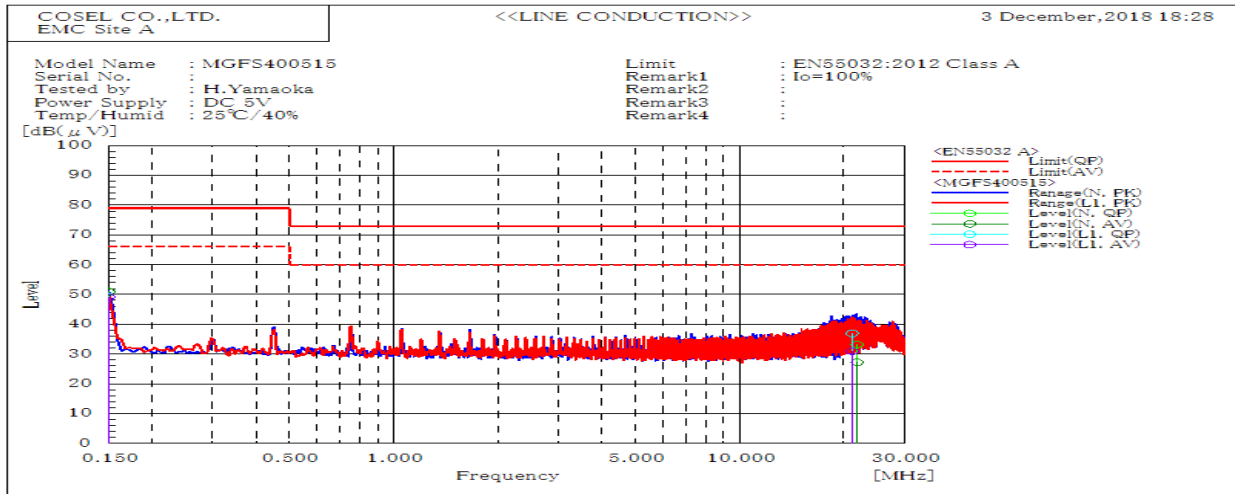
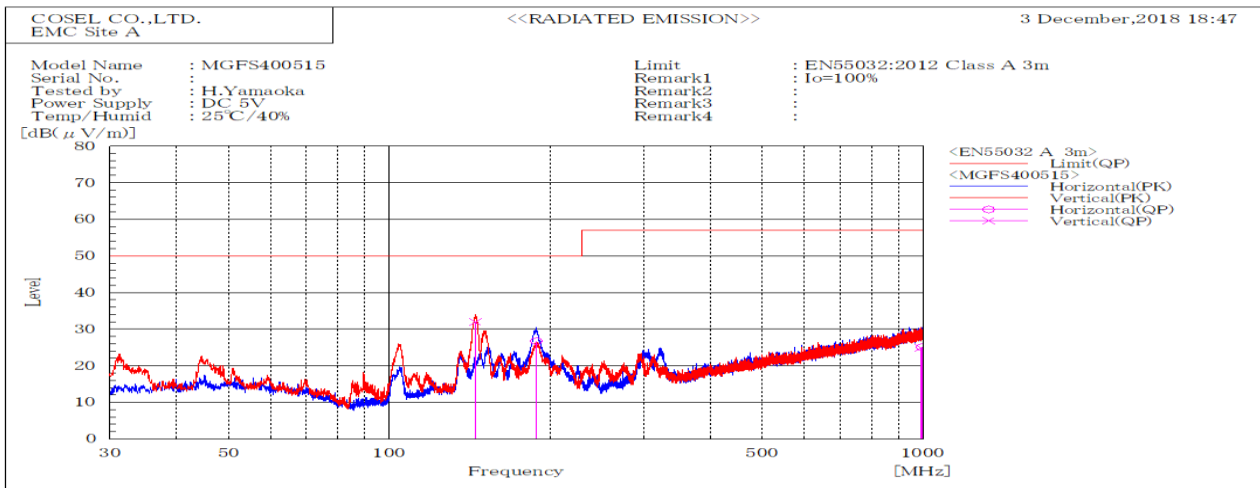


DATA SHEET		Date	15-Jan-19
Model	MGFS400515	Temp.	25 degreeC
Test	EMI Line conduction & Radiated emission	Humid.	40 %RH
		Tested by	H.Yamaoka



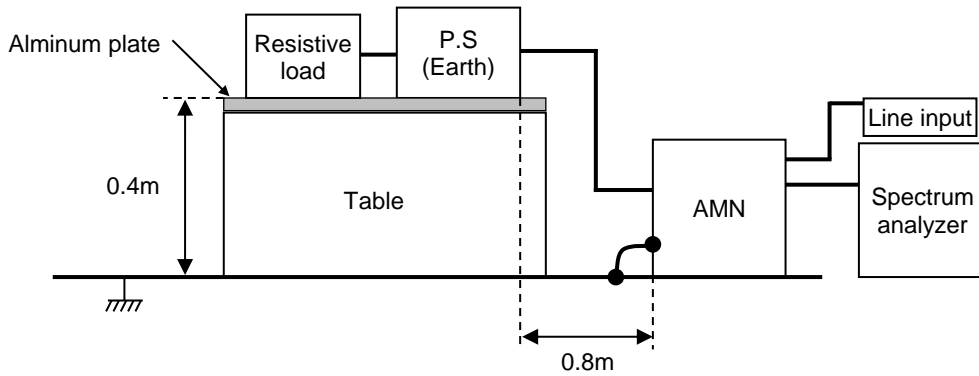
Frequency MHz	Line	Level		Limit		Margin		Pass/Fail	Remark
		dB(μV)		dB(μV)		dB			
		QP	AV	QP	AV	QP	AV		
0.15	L1	49.3	49.2	79	66	29.7	16.8	Pass	
21.09	L1	36.9	30.9	73	60	36.1	29.1	Pass	
0.15	N	51	51	79	66	28	15	Pass	
21.771	N	33.2	27.2	73	60	39.8	32.8	Pass	



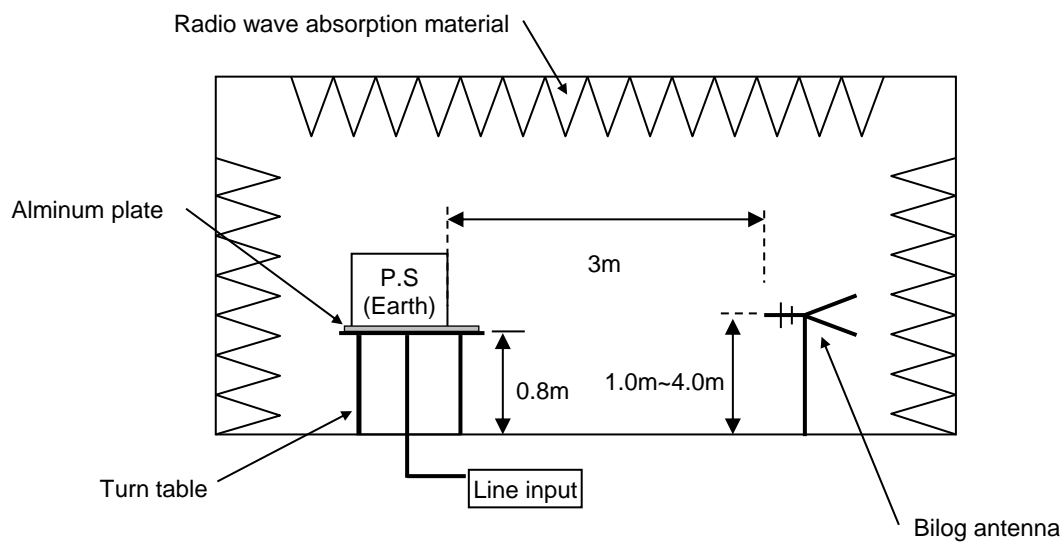
Frequency MHz	Polarization	Stability	Level		Limit dB(μV/m)	Margin dB	Pass/Fail	Height cm	Angle deg	Remark
			dB(μV/m)							
			QP	QP						
145.033	V	Stable	32	50	18	Pass	100.2	114.2		
989.169	V	Stable	24.8	57	32.2	Pass	254	353.3		
995.067	H	Stable	25.1	57	31.9	Pass	157.8	296.6		
188.647	H	Stable	26.7	50	23.3	Pass	165	0		

DATA SHEET		Date	15-Jan-19
Model	Circuit used for measurement	Temp.	25 degreeC
Test	EMI Line conduction & Radiated emission	Humid.	40 %RH
		Tested by	H.Yamaoka

### 1. Line conduction



### 2. Radiated emission



**Conditions**

Test : EMI

Model Name: MGFS40□□

○Photographs of Test Set-Up  
**LINE CONDUCTION**



**RADIATED EMISSION**



○Testing circuitry

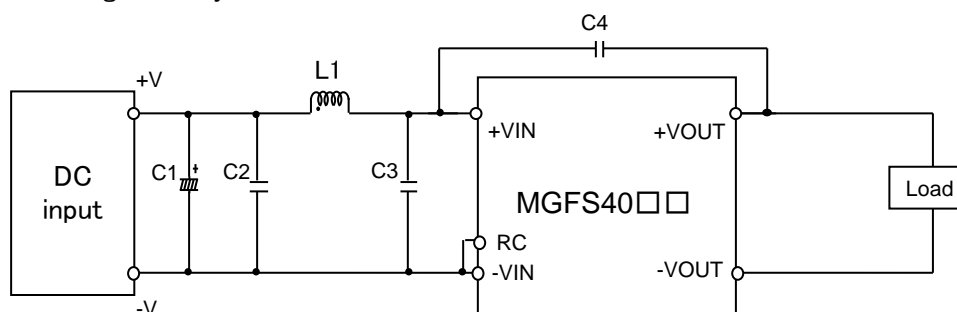


Fig.1 Testing circuitry

- |      |            |   |
|------|------------|---|
| C1 : | MGFS4005□□ | 10V 4700μ F Electrolytic capacitor (UHWseries NICHICON CORPORATION) |
|      | MGFS4024□□ | 63V 220μ F Electrolytic capacitor (KYseries NIPPON CHEMI-CON)       |
|      | MGFS4048□□ | 100V 220μ F Electrolytic capacitor (KYseries NIPPON CHEMI-CON)      |
| C2 : | MGFS4005□□ | 16V 22μ F Ceramic capacitor (GRM32ER71C226K MURATA MANUFACTURING)   |
|      | MGFS4024□□ | 50V 10μ F Ceramic capacitor (GRM32ER71H106K MURATA MANUFACTURING)   |
|      | MGFS4048□□ | 100V 4.7μ F Ceramic capacitor (HMK325AC7475K TAIYOU YUDEN)          |
| C3 : | MGFS4005□□ | 16V 22μ F Ceramic capacitor (GRM32ER71C226K MURATA MANUFACTURING)   |
|      | MGFS4024□□ | 50V 10μ F Ceramic capacitor (GRM32ER71H106K MURATA MANUFACTURING)   |
|      | MGFS4048□□ | 100V 4.7μ F Ceramic capacitor (HMK325AC7475K TAIYOU YUDEN)          |
| C4 : | MGFS4005□□ | 2kV 1000pF Ceramic capacitor (GR431BR7LA102K MURATA MANUFACTURING)  |
|      | MGFS4024□□ | 2kV 1000pF Ceramic capacitor (GR431BR7LA102K MURATA MANUFACTURING)  |
|      | MGFS4048□□ | 2kV 1000pF Ceramic capacitor (GR431BR7LA102K MURATA MANUFACTURING)  |
| L1 : | MGFS4005□□ | 15.0A 1.0μ H Inductor (SRP7050TA-1R0M BOURNS)                       |
|      | MGFS4024□□ | 12.0A 1.8μ H Inductor (SRP7050TA-1R8M BOURNS)                       |
|      | MGFS4048□□ | 6.0A 5.6μ H Inductor (SRP7050TA-5R6M BOURNS)                        |