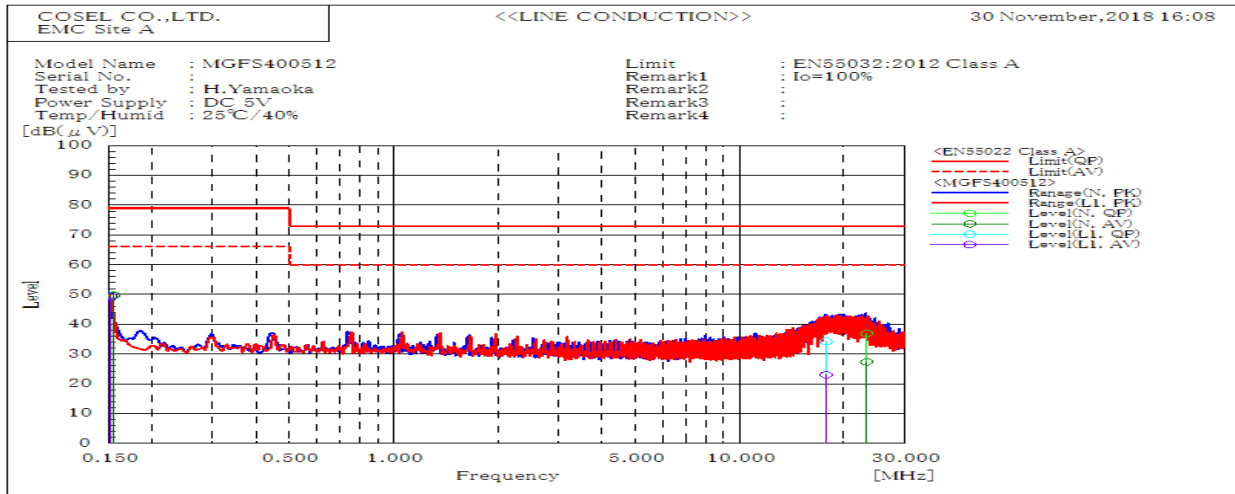
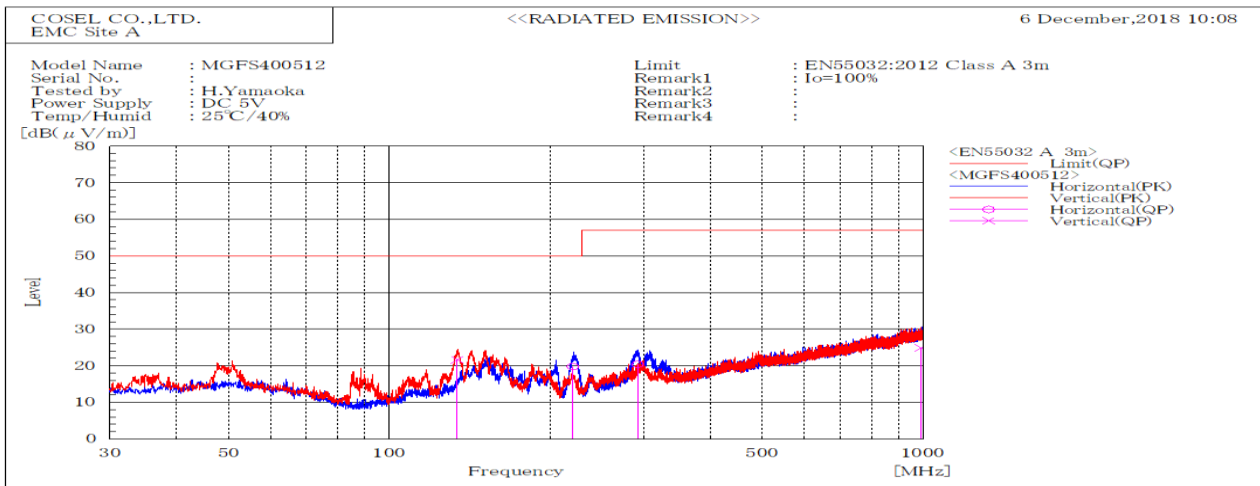


DATA SHEET		Date	15-Jan-19
Model	MGFS400512	Temp.	25 degreeC
Test	EMI	Humid.	40 %RH
	Line conduction & Radiated emission	Tested by	H.Yamaoka



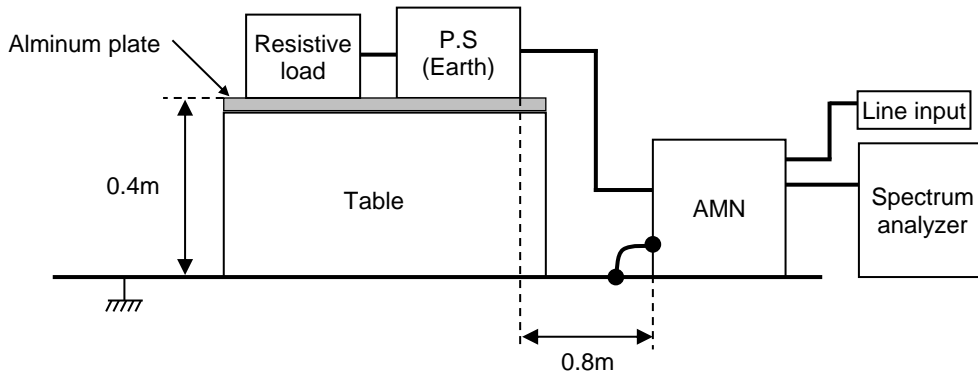
Frequency MHz	Line	Level dB(μV)		Limit dB(μV)		Margin dB		Pass/Fail	Remark
		QP	AV	QP	AV	QP	AV		
0.152	L1	49.5	49.4	79	66	29.5	16.6	Pass	
17.727	L1	34.3	23.1	73	60	38.7	36.9	Pass	
0.155	N	49.8	49.7	79	66	29.2	16.3	Pass	
23.167	N	37	27.4	73	60	36	32.6	Pass	



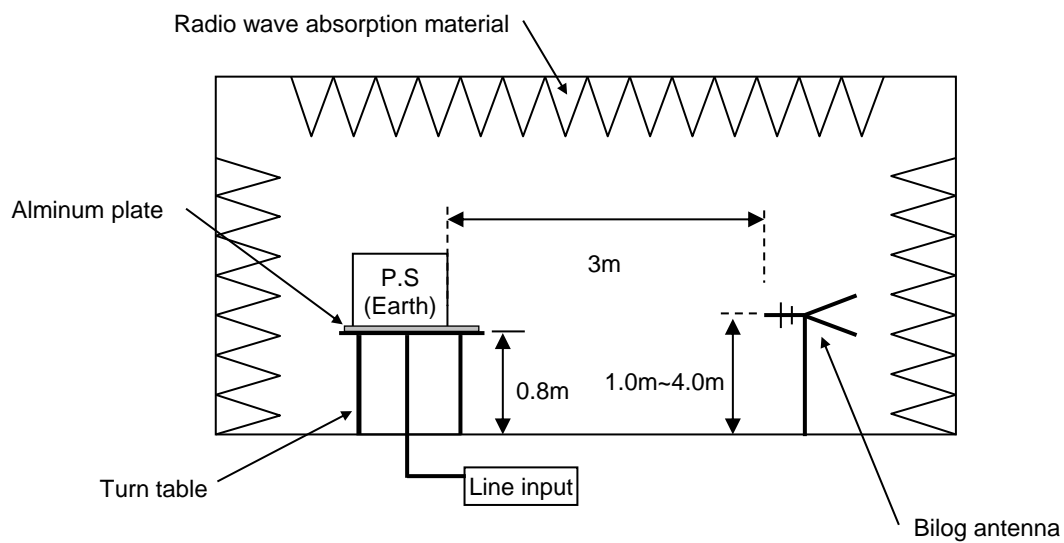
Frequency MHz	Polarization	Stability	Level dB(μV/m)		Limit dB(μV/m)	Margin dB	Pass/Fail	Height cm	Angle deg	Remark
			QP	QP						
220.957	H	Stable	19.7	50	30.3	Pass	142.5	201.6		
292.001	H	Stable	20.4	57	36.6	Pass	109.3	0		
990.03	V	Stable	24.8	57	32.2	Pass	100	144.4		
134.191	V	Stable	21.5	50	28.5	Pass	100.2	30.1		

DATA SHEET		Date	15-Jan-19
Model	Circuit used for measurement	Temp.	25 degreeC
Test	EMI Line conduction & Radiated emission	Humid.	40 %RH
		Tested by	H.Yamaoka

1. Line conduction



2. Radiated emission



Conditions

Test : EMI

Model Name: MGFS40□□

○Photographs of Test Set-Up
LINE CONDUCTION



RADIATED EMISSION



○Testing circuitry

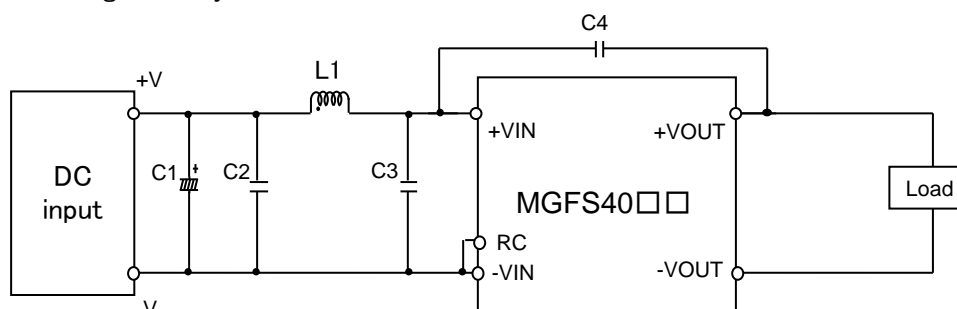


Fig.1 Testing circuitry

- | | | |
|------|------------|---|
| C1 : | MGFS4005□□ | 10V 4700μ F Electrolytic capacitor (UHWseries NICHICON CORPORATION) |
| | MGFS4024□□ | 63V 220μ F Electrolytic capacitor (KYseries NIPPON CHEMI-CON) |
| | MGFS4048□□ | 100V 220μ F Electrolytic capacitor (KYseries NIPPON CHEMI-CON) |
| C2 : | MGFS4005□□ | 16V 22μ F Ceramic capacitor (GRM32ER71C226K MURATA MANUFACTURING) |
| | MGFS4024□□ | 50V 10μ F Ceramic capacitor (GRM32ER71H106K MURATA MANUFACTURING) |
| | MGFS4048□□ | 100V 4.7μ F Ceramic capacitor (HMK325AC7475K TAIYOU YUDEN) |
| C3 : | MGFS4005□□ | 16V 22μ F Ceramic capacitor (GRM32ER71C226K MURATA MANUFACTURING) |
| | MGFS4024□□ | 50V 10μ F Ceramic capacitor (GRM32ER71H106K MURATA MANUFACTURING) |
| | MGFS4048□□ | 100V 4.7μ F Ceramic capacitor (HMK325AC7475K TAIYOU YUDEN) |
| C4 : | MGFS4005□□ | 2kV 1000pF Ceramic capacitor (GR431BR7LA102K MURATA MANUFACTURING) |
| | MGFS4024□□ | 2kV 1000pF Ceramic capacitor (GR431BR7LA102K MURATA MANUFACTURING) |
| | MGFS4048□□ | 2kV 1000pF Ceramic capacitor (GR431BR7LA102K MURATA MANUFACTURING) |
| L1 : | MGFS4005□□ | 15.0A 1.0μ H Inductor (SRP7050TA-1R0M BOURNS) |
| | MGFS4024□□ | 12.0A 1.8μ H Inductor (SRP7050TA-1R8M BOURNS) |
| | MGFS4048□□ | 6.0A 5.6μ H Inductor (SRP7050TA-5R6M BOURNS) |