



TEST DATA OF LDA75F-24 (100V INPUT)

Regulated DC Power Supply

Date : Aug. 20. 1999

Approved by : *H. Yamaguchi*
Design Manager

Prepared by : *J. Asano*
Design Engineer

コーセル株式会社
COSEL CO., LTD.

CONTENTS

1. Line Regulation	1
静的入力変動	
2. Input Current (by Load Current)	2
入力電流 (負荷特性)	
3. Input Power (by Load Current)	3
入力電力 (負荷特性)	
4. Efficiency (by Input Voltage)	4
効率 (入力電圧特性)	
5. Efficiency (by Load Current)	5
効率 (負荷特性)	
6. Hold-Up Time	6
出力保持時間	
7. Instantaneous Interruption Compensation	7
瞬時停電保障	
8. Load Regulation	8
静的負荷変動	
9. Ripple Voltage (by Load Current)	9
リップル電圧 (負荷特性)	
10. Ripple-Noise	10
リップルノイズ	
11. Overcurrent Protection	11
過電流保護	
12. Overvoltage Protection	12
過電圧保護	
13. Inrush Current	13
突入電流	
14. Dynamic Load Responce	14
動的負荷変動	
15. Rise and Fall Time	15
立上り、立下がり時間	
16. Ambient Temperature Drift	16
周囲温度変動	
17. Minimum Input Voltage for Regulated Output Voltage .	17
最低レギュレーション電圧	
18. Ripple Voltage (by Ambient Temperature)	18
リップル電圧 (周囲温度特性)	
19. Time Lapse Drift	19
経時ドリフト	
20. Output Voltage Accuracy	20
定電圧精度	
21. Condensation	21
結露特性	
22. Leakage Current	22
漏洩電流	
23. Line Noise Tolerance	23
入力雑音耐量	
24. Conducted Emission	24
雑音端子電圧	
25. Figure of Testing Circuitry	25
測定回路図	

(Final Page 26)



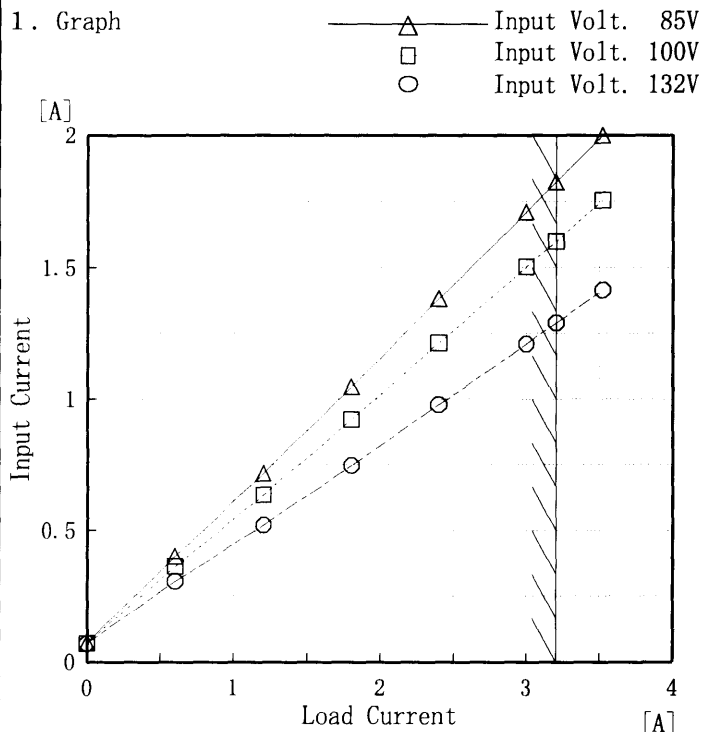
Model		LDA75F-24	Temperature	25°C																																
Item		Line Regulation 静的入力変動	Testing Circuitry	Figure A																																
Object		+24.0V3.2A																																		
1. Graph		<div style="display: flex; justify-content: space-around;"> □ Load 50% △ Load 100% </div>	2. Values																																	
			<table border="1"> <thead> <tr> <th rowspan="2">Input Voltage [V]</th> <th colspan="2">Output Voltage [V]</th> </tr> <tr> <th>Load 50%</th> <th>Load 100%</th> </tr> </thead> <tbody> <tr><td>75</td><td>24.110</td><td>24.108</td></tr> <tr><td>80</td><td>24.110</td><td>24.108</td></tr> <tr><td>85</td><td>24.110</td><td>24.108</td></tr> <tr><td>90</td><td>24.110</td><td>24.108</td></tr> <tr><td>100</td><td>24.110</td><td>24.109</td></tr> <tr><td>110</td><td>24.110</td><td>24.109</td></tr> <tr><td>120</td><td>24.110</td><td>24.108</td></tr> <tr><td>132</td><td>24.110</td><td>24.108</td></tr> <tr><td>140</td><td>24.110</td><td>24.108</td></tr> </tbody> </table>		Input Voltage [V]	Output Voltage [V]		Load 50%	Load 100%	75	24.110	24.108	80	24.110	24.108	85	24.110	24.108	90	24.110	24.108	100	24.110	24.109	110	24.110	24.109	120	24.110	24.108	132	24.110	24.108	140	24.110	24.108
Input Voltage [V]	Output Voltage [V]																																			
	Load 50%	Load 100%																																		
75	24.110	24.108																																		
80	24.110	24.108																																		
85	24.110	24.108																																		
90	24.110	24.108																																		
100	24.110	24.109																																		
110	24.110	24.109																																		
120	24.110	24.108																																		
132	24.110	24.108																																		
140	24.110	24.108																																		
Note: Slanted line shows the range of the rated input voltage.																																				
(注)斜線は定格入力電圧範囲を示す。																																				



Model	LDA75F-24
Item	Input Current (by Load Current) 入力電流 (負荷特性)
Output	—————

Temperature 25°C
Testing Circuitry Figure A

1. Graph



Note: Slanted line shows the range of the rated load current

(注) 斜線は定格負荷電流範囲を示す。

2. Values

Load Current [A]	Input Current [A]		
	Input Volt. 85[V]	Input Volt. 100[V]	Input Volt. 132[V]
0.00	0.071	0.071	0.070
0.60	0.401	0.363	0.308
1.20	0.716	0.634	0.520
1.80	1.048	0.922	0.747
2.40	1.381	1.213	0.979
3.00	1.710	1.502	1.210
3.20	1.822	1.600	1.291
3.52	1.997	1.753	1.414
—	—	—	—
—	—	—	—
—	—	—	—
—	—	—	—



Model		LDA75F-24	Temperature		25°C																																																							
Item		Input Power (by Load Current) 入力電力 (負荷特性)	Testing Circuitry		Figure A																																																							
Output		_____																																																										
1. Graph			2. Values																																																									
<p> Input Volt. 85V Input Volt. 100V Input Volt. 132V </p> <p>Note: Slanted line shows the range of the rated load current</p> <p>(注) 斜線は定格負荷電流範囲を示す。</p>			<table border="1"> <thead> <tr> <th rowspan="2">Load Current [A]</th> <th colspan="3">Input Power [W]</th> </tr> <tr> <th>Input Volt. 85[V]</th> <th>Input Volt. 100[V]</th> <th>Input Volt. 132[V]</th> </tr> </thead> <tbody> <tr><td>0.00</td><td>2.25</td><td>2.51</td><td>3.18</td></tr> <tr><td>0.60</td><td>18.98</td><td>19.26</td><td>20.10</td></tr> <tr><td>1.20</td><td>35.60</td><td>35.67</td><td>36.29</td></tr> <tr><td>1.80</td><td>52.44</td><td>52.38</td><td>52.90</td></tr> <tr><td>2.40</td><td>69.63</td><td>69.39</td><td>69.50</td></tr> <tr><td>3.00</td><td>87.30</td><td>86.60</td><td>86.40</td></tr> <tr><td>3.20</td><td>93.10</td><td>92.40</td><td>92.00</td></tr> <tr><td>3.52</td><td>102.90</td><td>101.90</td><td>101.30</td></tr> <tr><td>—</td><td>—</td><td>—</td><td>—</td></tr> <tr><td>—</td><td>—</td><td>—</td><td>—</td></tr> <tr><td>—</td><td>—</td><td>—</td><td>—</td></tr> <tr><td>—</td><td>—</td><td>—</td><td>—</td></tr> </tbody> </table>			Load Current [A]	Input Power [W]			Input Volt. 85[V]	Input Volt. 100[V]	Input Volt. 132[V]	0.00	2.25	2.51	3.18	0.60	18.98	19.26	20.10	1.20	35.60	35.67	36.29	1.80	52.44	52.38	52.90	2.40	69.63	69.39	69.50	3.00	87.30	86.60	86.40	3.20	93.10	92.40	92.00	3.52	102.90	101.90	101.30	—	—	—	—	—	—	—	—	—	—	—	—	—	—	—	—
Load Current [A]	Input Power [W]																																																											
	Input Volt. 85[V]	Input Volt. 100[V]	Input Volt. 132[V]																																																									
0.00	2.25	2.51	3.18																																																									
0.60	18.98	19.26	20.10																																																									
1.20	35.60	35.67	36.29																																																									
1.80	52.44	52.38	52.90																																																									
2.40	69.63	69.39	69.50																																																									
3.00	87.30	86.60	86.40																																																									
3.20	93.10	92.40	92.00																																																									
3.52	102.90	101.90	101.30																																																									
—	—	—	—																																																									
—	—	—	—																																																									
—	—	—	—																																																									
—	—	—	—																																																									



Model LDA75F-24		Temperature 25°C																															
Item Efficiency 効率		Testing Circuitry Figure A																															
Object _____																																	
<p>1. Graph</p> <div style="display: flex; justify-content: space-around; align-items: center;"> □ Load 50% △ Load 100% </div> <p style="text-align: center;">Note: Slanted line shows the range of the rated input voltage.</p> <p>(注)斜線は定格入力電圧範囲を示す。</p>	<p>2. Values</p> <table border="1" style="width: 100%; border-collapse: collapse; text-align: center;"> <thead> <tr> <th rowspan="2">Input Voltage [V]</th> <th colspan="2">Efficiency [%]</th> </tr> <tr> <th>Load 50%</th> <th>Load 100%</th> </tr> </thead> <tbody> <tr><td>75</td><td>83.2</td><td>82.2</td></tr> <tr><td>80</td><td>83.4</td><td>83.1</td></tr> <tr><td>85</td><td>83.3</td><td>83.4</td></tr> <tr><td>90</td><td>83.4</td><td>83.8</td></tr> <tr><td>100</td><td>83.4</td><td>84.1</td></tr> <tr><td>110</td><td>83.2</td><td>84.3</td></tr> <tr><td>120</td><td>82.8</td><td>84.3</td></tr> <tr><td>132</td><td>82.3</td><td>84.4</td></tr> <tr><td>140</td><td>82.0</td><td>84.3</td></tr> </tbody> </table>	Input Voltage [V]	Efficiency [%]		Load 50%	Load 100%	75	83.2	82.2	80	83.4	83.1	85	83.3	83.4	90	83.4	83.8	100	83.4	84.1	110	83.2	84.3	120	82.8	84.3	132	82.3	84.4	140	82.0	84.3
Input Voltage [V]	Efficiency [%]																																
	Load 50%	Load 100%																															
75	83.2	82.2																															
80	83.4	83.1																															
85	83.3	83.4																															
90	83.4	83.8																															
100	83.4	84.1																															
110	83.2	84.3																															
120	82.8	84.3																															
132	82.3	84.4																															
140	82.0	84.3																															



Model		LDA75F-24	Temperature		25°C																																																							
Item		Efficiency (by Load Current) 効率 (負荷電流特性)	Testing Circuitry		Figure A																																																							
Output		_____																																																										
1. Graph			2. Values																																																									
<p> Input Volt. 85V Input Volt. 100V Input Volt. 132V </p> <p>Efficiency [%]</p> <p>Load Current [A]</p>			<table border="1"> <thead> <tr> <th rowspan="2">Load Current [A]</th> <th colspan="3">Efficiency [%]</th> </tr> <tr> <th>Input Volt. 85[V]</th> <th>Input Volt. 100[V]</th> <th>Input Volt. 132[V]</th> </tr> </thead> <tbody> <tr><td>0.60</td><td>77.5</td><td>76.2</td><td>73.2</td></tr> <tr><td>1.20</td><td>81.9</td><td>81.9</td><td>80.4</td></tr> <tr><td>1.80</td><td>83.4</td><td>83.5</td><td>82.7</td></tr> <tr><td>2.40</td><td>83.7</td><td>84.0</td><td>83.9</td></tr> <tr><td>3.00</td><td>83.4</td><td>84.1</td><td>84.3</td></tr> <tr><td>3.20</td><td>83.4</td><td>84.0</td><td>84.4</td></tr> <tr><td>3.52</td><td>83.0</td><td>83.8</td><td>84.3</td></tr> <tr><td>—</td><td>—</td><td>—</td><td>—</td></tr> <tr><td>—</td><td>—</td><td>—</td><td>—</td></tr> <tr><td>—</td><td>—</td><td>—</td><td>—</td></tr> <tr><td>—</td><td>—</td><td>—</td><td>—</td></tr> <tr><td>—</td><td>—</td><td>—</td><td>—</td></tr> </tbody> </table>			Load Current [A]	Efficiency [%]			Input Volt. 85[V]	Input Volt. 100[V]	Input Volt. 132[V]	0.60	77.5	76.2	73.2	1.20	81.9	81.9	80.4	1.80	83.4	83.5	82.7	2.40	83.7	84.0	83.9	3.00	83.4	84.1	84.3	3.20	83.4	84.0	84.4	3.52	83.0	83.8	84.3	—	—	—	—	—	—	—	—	—	—	—	—	—	—	—	—	—	—	—	—
Load Current [A]	Efficiency [%]																																																											
	Input Volt. 85[V]	Input Volt. 100[V]	Input Volt. 132[V]																																																									
0.60	77.5	76.2	73.2																																																									
1.20	81.9	81.9	80.4																																																									
1.80	83.4	83.5	82.7																																																									
2.40	83.7	84.0	83.9																																																									
3.00	83.4	84.1	84.3																																																									
3.20	83.4	84.0	84.4																																																									
3.52	83.0	83.8	84.3																																																									
—	—	—	—																																																									
—	—	—	—																																																									
—	—	—	—																																																									
—	—	—	—																																																									
—	—	—	—																																																									
<p>Note: Slanted line shows the range of the rated load current</p> <p>(注)斜線は定格負荷電流範囲を示す。</p>																																																												



Model		LDA75F-24	Temperature	25°C																																
Item		Hold-Up Time 出力保持時間	Testing Circuitry	Figure A																																
Object		+24.0V3.2A																																		
1. Graph		<div style="display: flex; justify-content: space-around;"> <div>□ Load 50%</div> <div>△ Load 100%</div> </div>	2. Values																																	
			<table border="1"> <thead> <tr> <th rowspan="2">Input Voltage [V]</th> <th colspan="2">Hold-Up Time [mS]</th> </tr> <tr> <th>Load 50%</th> <th>Load 100%</th> </tr> </thead> <tbody> <tr><td>75</td><td>20</td><td>10</td></tr> <tr><td>80</td><td>25</td><td>13</td></tr> <tr><td>85</td><td>31</td><td>16</td></tr> <tr><td>90</td><td>36</td><td>19</td></tr> <tr><td>100</td><td>49</td><td>26</td></tr> <tr><td>110</td><td>63</td><td>33</td></tr> <tr><td>120</td><td>78</td><td>42</td></tr> <tr><td>132</td><td>98</td><td>53</td></tr> <tr><td>140</td><td>113</td><td>61</td></tr> </tbody> </table>		Input Voltage [V]	Hold-Up Time [mS]		Load 50%	Load 100%	75	20	10	80	25	13	85	31	16	90	36	19	100	49	26	110	63	33	120	78	42	132	98	53	140	113	61
Input Voltage [V]	Hold-Up Time [mS]																																			
	Load 50%	Load 100%																																		
75	20	10																																		
80	25	13																																		
85	31	16																																		
90	36	19																																		
100	49	26																																		
110	63	33																																		
120	78	42																																		
132	98	53																																		
140	113	61																																		
		<p>This duration covers from Shut-off of input voltage to the moment when output voltage descends to the rated range of voltage accuracy.</p> <p>Note: Slanted line shows the range of the rated input voltage.</p> <p>出力保持時間とは、入力電圧断から出力電圧が、定電圧精度の規格範囲を保持しているところまでの時間。</p> <p>(注)斜線は定格入力電圧範囲を示す。</p>																																		



Model		LDA75F-24	Temperature		25°C																																																			
Item		Instantaneous Interruption Compensation 瞬時停電保障	Testing Circuitry		Figure A																																																			
Object		+24.0V3.2A																																																						
1. Graph			2. Values																																																					
<p>△ Input Volt. 85 V □ Input Volt. 100 V ○ Input Volt. 132 V</p> <p>This duration covers from Shut-off of input voltage to the moment when output voltage descends to the rated range of voltage accuracy. Note: Slanted line shows the range of the rated load current.</p> <p>瞬時停電保障時間とは、出力電圧が定電圧精度の規格範囲を保持している瞬時停電時間をいう。 (注)斜線は定格負荷電流範囲を示す。</p>			<table border="1"> <thead> <tr> <th rowspan="2">Load Current [A]</th> <th colspan="3">Time [mS]</th> </tr> <tr> <th>Input Volt. 85[V]</th> <th>Input Volt. 100[V]</th> <th>Input Volt. 132[V]</th> </tr> </thead> <tbody> <tr><td>0.00</td><td>—</td><td>—</td><td>—</td></tr> <tr><td>0.60</td><td>86</td><td>136</td><td>270</td></tr> <tr><td>1.20</td><td>44</td><td>70</td><td>140</td></tr> <tr><td>1.80</td><td>29</td><td>47</td><td>97</td></tr> <tr><td>2.40</td><td>20</td><td>31</td><td>71</td></tr> <tr><td>3.00</td><td>14</td><td>23</td><td>55</td></tr> <tr><td>3.20</td><td>14</td><td>23</td><td>52</td></tr> <tr><td>3.52</td><td>12</td><td>21</td><td>46</td></tr> <tr><td>—</td><td>—</td><td>—</td><td>—</td></tr> <tr><td>—</td><td>—</td><td>—</td><td>—</td></tr> <tr><td>—</td><td>—</td><td>—</td><td>—</td></tr> </tbody> </table>			Load Current [A]	Time [mS]			Input Volt. 85[V]	Input Volt. 100[V]	Input Volt. 132[V]	0.00	—	—	—	0.60	86	136	270	1.20	44	70	140	1.80	29	47	97	2.40	20	31	71	3.00	14	23	55	3.20	14	23	52	3.52	12	21	46	—	—	—	—	—	—	—	—	—	—	—	—
Load Current [A]	Time [mS]																																																							
	Input Volt. 85[V]	Input Volt. 100[V]	Input Volt. 132[V]																																																					
0.00	—	—	—																																																					
0.60	86	136	270																																																					
1.20	44	70	140																																																					
1.80	29	47	97																																																					
2.40	20	31	71																																																					
3.00	14	23	55																																																					
3.20	14	23	52																																																					
3.52	12	21	46																																																					
—	—	—	—																																																					
—	—	—	—																																																					
—	—	—	—																																																					

COSEL

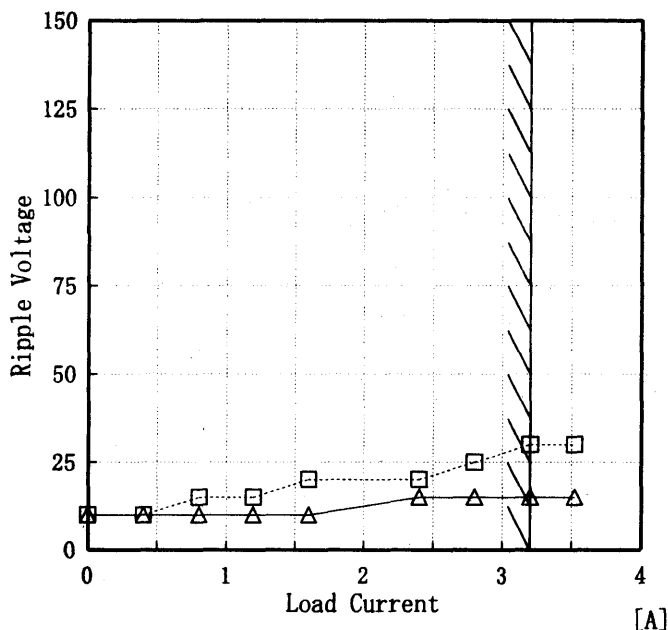
Model		LDA75F-24	Temperature	25°C																																															
Item		Load Regulation 静的負荷変動	Testing Circuitry	Figure A																																															
Object		+24.0V3.2A																																																	
1. Graph		<p> <input type="checkbox"/> Input Volt. 85 V <input type="checkbox"/> Input Volt. 100 V <input type="checkbox"/> Input Volt. 132 V </p>	2. Values																																																
			<table border="1"> <thead> <tr> <th rowspan="2">Load Current [A]</th> <th colspan="3">Output Voltage [V]</th> </tr> <tr> <th>Input Volt. 85[V]</th> <th>Input Volt. 100[V]</th> <th>Input Volt. 132[V]</th> </tr> </thead> <tbody> <tr><td>0.00</td><td>24.114</td><td>24.114</td><td>24.114</td></tr> <tr><td>0.60</td><td>24.112</td><td>24.112</td><td>24.112</td></tr> <tr><td>1.20</td><td>24.111</td><td>24.111</td><td>24.111</td></tr> <tr><td>1.80</td><td>24.111</td><td>24.111</td><td>24.110</td></tr> <tr><td>2.40</td><td>24.110</td><td>24.110</td><td>24.110</td></tr> <tr><td>3.00</td><td>24.109</td><td>24.109</td><td>24.109</td></tr> <tr><td>3.20</td><td>24.109</td><td>24.109</td><td>24.109</td></tr> <tr><td>3.52</td><td>24.109</td><td>24.109</td><td>24.109</td></tr> <tr><td>—</td><td>—</td><td>—</td><td>—</td></tr> <tr><td>—</td><td>—</td><td>—</td><td>—</td></tr> </tbody> </table>		Load Current [A]	Output Voltage [V]			Input Volt. 85[V]	Input Volt. 100[V]	Input Volt. 132[V]	0.00	24.114	24.114	24.114	0.60	24.112	24.112	24.112	1.20	24.111	24.111	24.111	1.80	24.111	24.111	24.110	2.40	24.110	24.110	24.110	3.00	24.109	24.109	24.109	3.20	24.109	24.109	24.109	3.52	24.109	24.109	24.109	—	—	—	—	—	—	—	—
Load Current [A]	Output Voltage [V]																																																		
	Input Volt. 85[V]	Input Volt. 100[V]	Input Volt. 132[V]																																																
0.00	24.114	24.114	24.114																																																
0.60	24.112	24.112	24.112																																																
1.20	24.111	24.111	24.111																																																
1.80	24.111	24.111	24.110																																																
2.40	24.110	24.110	24.110																																																
3.00	24.109	24.109	24.109																																																
3.20	24.109	24.109	24.109																																																
3.52	24.109	24.109	24.109																																																
—	—	—	—																																																
—	—	—	—																																																
Note: Slanted line shows the range of the rated load current.																																																			
(注)斜線は定格負荷電流範囲を示す。																																																			

COSEL

Model	LDA75F-24
Item	Ripple Voltage (by Load Current) リップル電圧(負荷電流特性)
Object	+24.0V 3.2A

Temperature	25°C
Testing Circuitry	Figure A

1. Graph
 [mV] □----- Input Volt. 85V
 —△— Input Volt. 132V



2. Values

Load Current [A]	Input Volt. 85 [V]	Input Volt. 132 [V]
	Ripple Output Volt. [mV]	Ripple Output Volt. [mV]
0.00	10	10
0.40	10	10
0.80	15	10
1.20	15	10
1.60	20	10
2.40	20	15
2.80	25	15
3.20	30	15
3.52	30	15
—	—	—
—	—	—

Ripple Voltage is shown as p-p in the figure below.

Note: Slanted line shows the range of the rated load current.

リップル電圧は、下図 p-p 値で示される。

(注) 斜線は定格負荷電流範囲を示す。

T1: Due to AC Input Line

入力商用周期

T2: Due to Switching

スイッチング周期

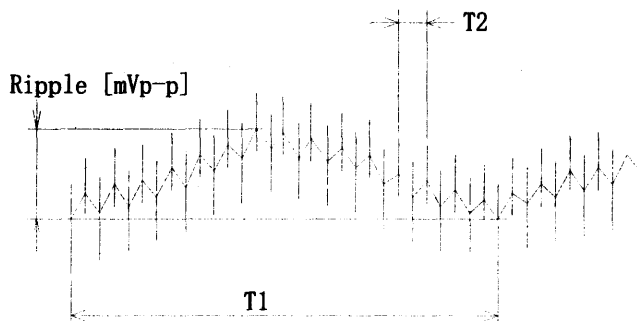


Fig. Complex Ripple Wave Form

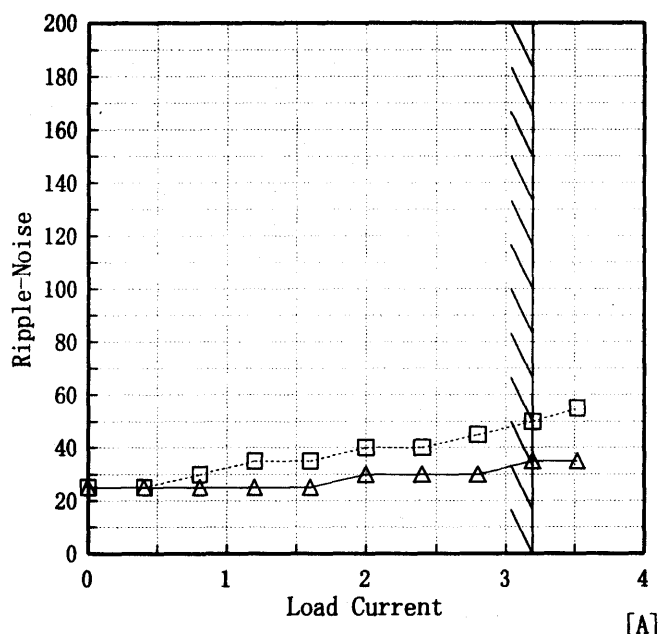
図 リップル波形詳細図

COSEL

Model	LDA75F-24
Item	Ripple-Noise リップルノイズ
Object	+24.0V3.2A

Temperature 25°C
Testing Circuitry Figure A

1. Graph
 [mV]
 □ Input Volt. 85V
 △ Input Volt. 132V



2. Values

Load current [A]	Input Volt. 85 [V]	Input Volt. 132 [V]
	Ripple-Noise [mV]	Ripple-Noise [mV]
0.00	25	25
0.40	25	25
0.80	30	25
1.20	35	25
1.60	35	25
2.00	40	30
2.40	40	30
2.80	45	30
3.20	50	35
3.52	55	35
—	—	—

Ripple-Noise is shown as p-p in the figure below.
 Note: Slanted line shows the range of the rated load current.

リップルノイズは、下図 p-p 値で示される。
 (注)斜線は定格負荷電流範囲を示す。

T1: Due to AC Input Line
 入力商用周期
 T2: Due to Switching
 スイッチング周期

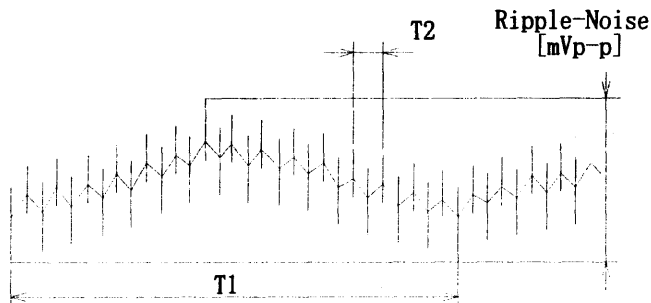


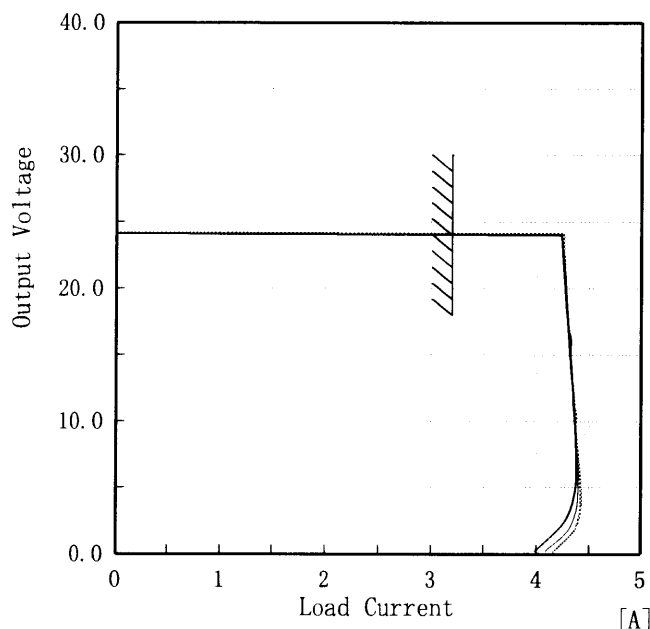
Fig. Complex Ripple Wave Form
 図 リップル波形詳細図



Model	LDA75F-24
Item	Overcurrent Protection 過電流保護
Object	+24.0V3.2A

Temperature 25°C
Testing Circuitry Figure A

1. Graph
 [V]
 Input Volt. 85 V
 Input Volt. 100 V
 Input Volt. 132 V



Note: Slanted line shows the range of the rated load current.

(注)斜線は定格負荷電流範囲を示す。

2. Values

Output Voltage [V]	Load Current [A]		
	Input Volt. 85[V]	Input Volt. 100[V]	Input Volt. 132[V]
24.00	4.26	4.23	4.23
22.80	4.26	4.24	4.25
21.60	4.26	4.25	4.26
19.20	4.28	4.27	4.28
16.80	4.30	4.29	4.30
14.40	4.33	4.32	4.33
12.00	4.35	4.35	4.35
9.60	4.37	4.36	4.37
7.20	4.40	4.39	4.38
4.80	4.42	4.40	4.37
2.40	4.40	4.35	4.26
0.00	4.15	4.08	3.98



Model	LDA75F-24
Item	Overvoltage Protection 過電圧保護
Object	+24.0V3.2A
<p>1. Graph</p> <p> △ Input Volt. 85 V □ Input Volt. 100 V ○ Input Volt. 132 V </p> <p style="text-align: center;">Load 0%</p> <p>Note: Slanted line shows the range of the rated ambient temperature.</p> <p>(注)斜線は定格周囲温度範囲を示す。</p>	

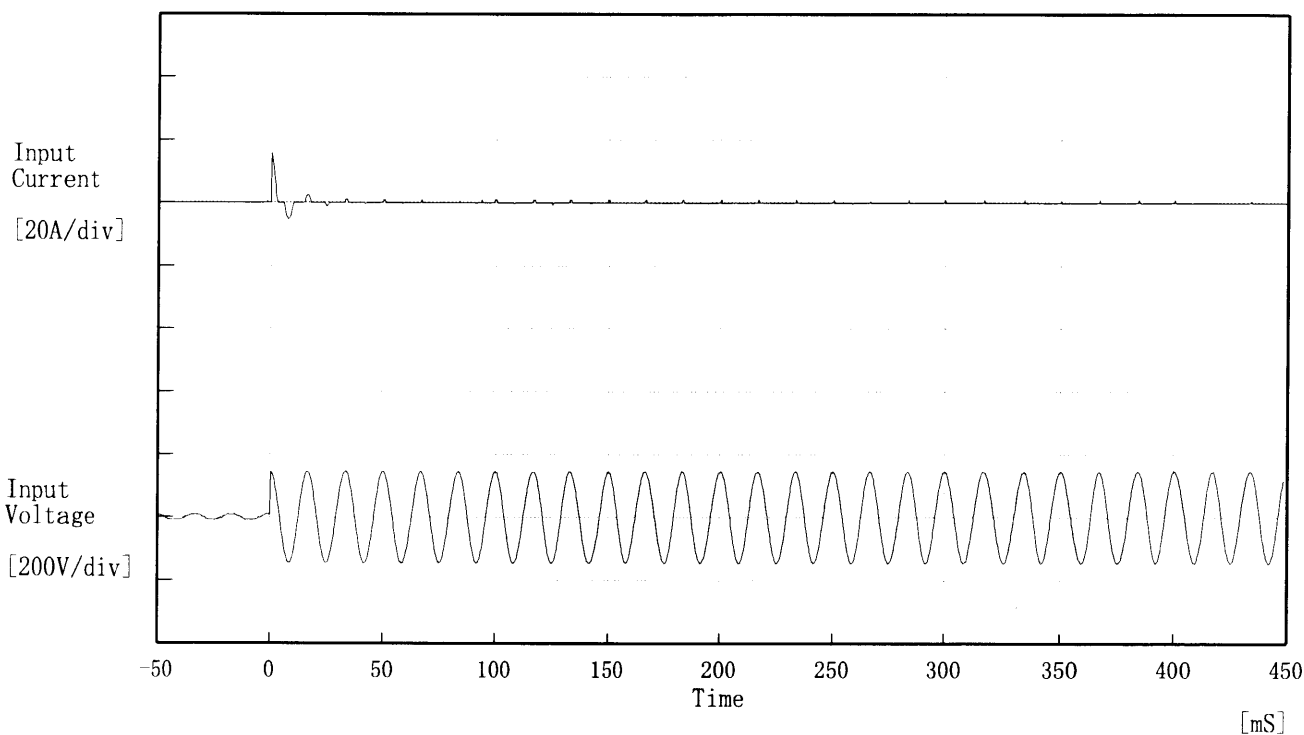
Testing Circuitry Figure A

2. Values

Ambient Temperature [°C]	Operating Point [V]		
	Input Volt. 85[V]	Input Volt. 100[V]	Input Volt. 132[V]
-20	29.59	29.59	29.59
-10	29.77	29.77	29.77
0	30.01	30.01	29.95
10	30.19	30.19	30.19
20	30.43	30.43	30.43
25	30.49	30.49	30.49
30	30.61	30.61	30.61
40	30.84	30.84	30.84
50	31.08	31.02	31.08
60	31.26	31.26	31.26
—	—	—	—

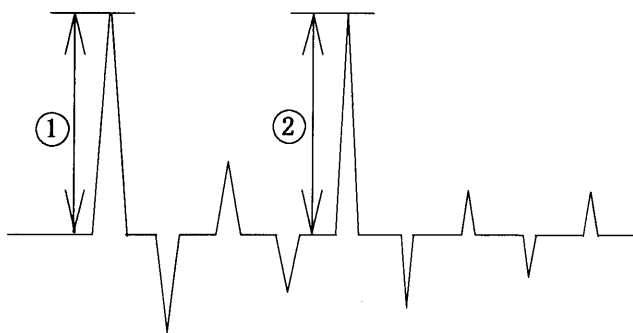


Model		LDA75F-24	Temperature 25°C Testing Circuitry Figure A
Item		Inrush Current 突入電流	
Object		_____	



Input Voltage 100 V
 Frequency 60 Hz
 Load 100 %
 Inrush Current

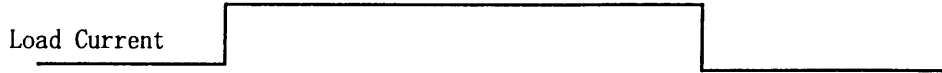
- ① 15.56 [A]
- ② 0.84 [A]



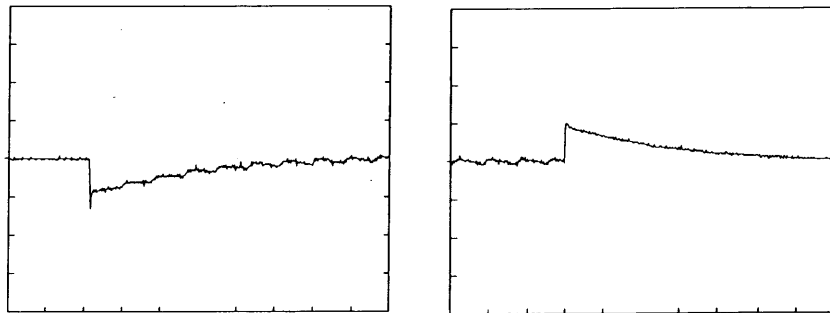


Model	LDA75F-24	Temperature 25°C Testing Circuitry Figure A
Item	Dynamic Load Responce 動的負荷変動	
Object	+24.0V3.2A	

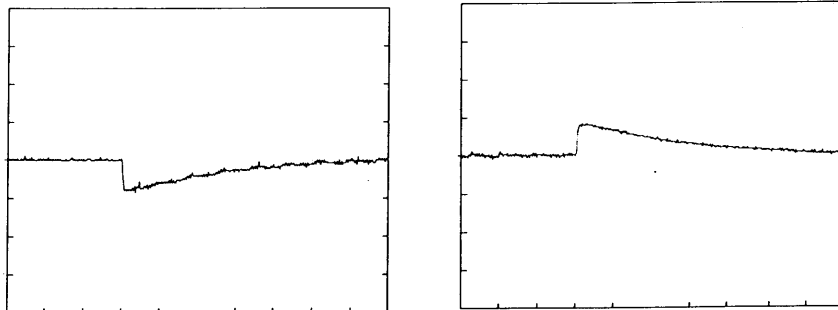
Input Volt. 100 V
Cycle 1000 mS



Load 0% ↔
Load 100 %



Load 0% ↔
Load 50 %



100 mV/div

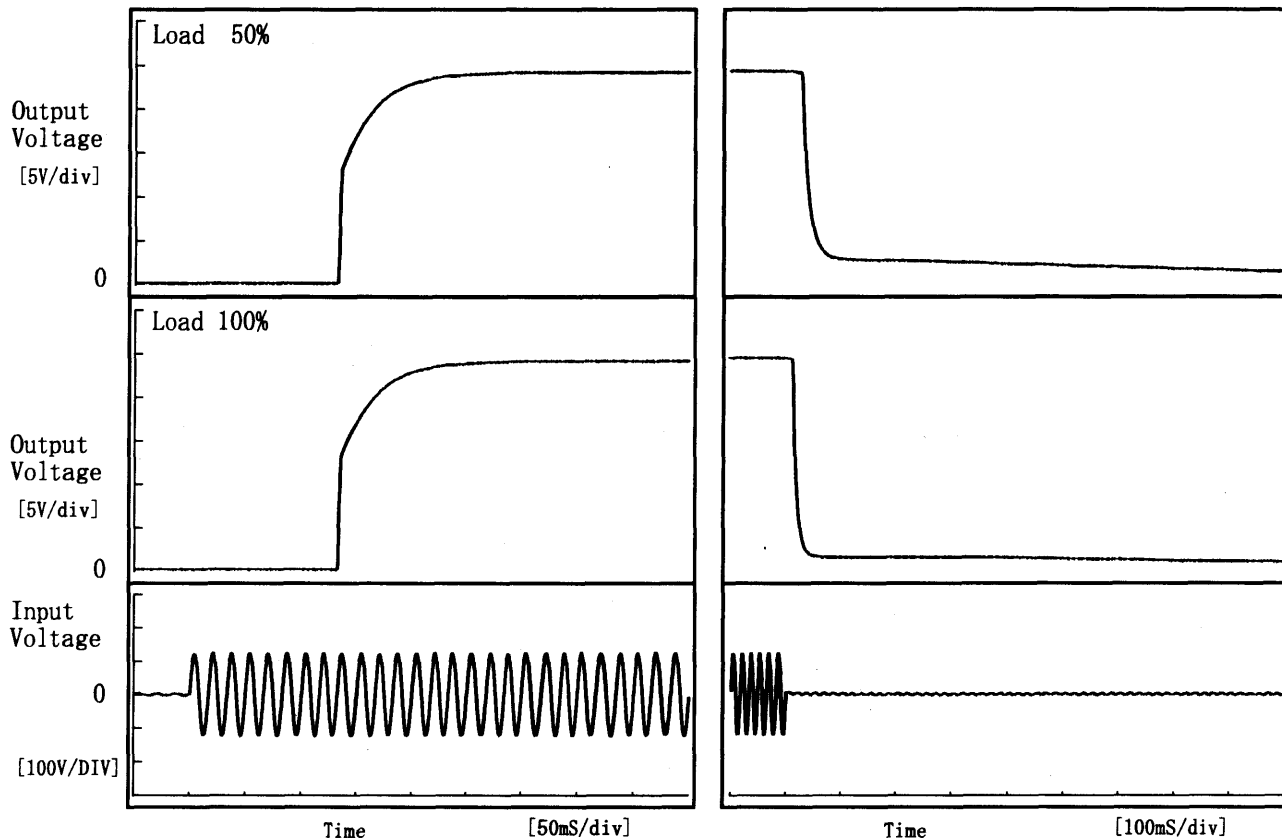
10 mS/div

COSEL

Model	LDA75F-24	Temperature	25°C
Item	Rise and Fall Time 立上り、立下り時間	Testing Circuitry	Figure A
Object	+24.0V3.2A		

1. Graph

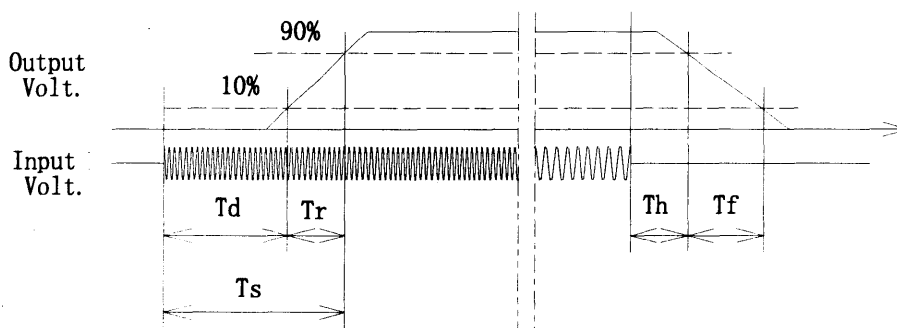
Input Volt. 85 V



2. Values

[mS]

Load \ Time	T d	T r	T s	T h	T f
50 %	133.8	47.3	181.0	32.0	294.5
100 %	133.8	47.3	181.0	15.5	22.5

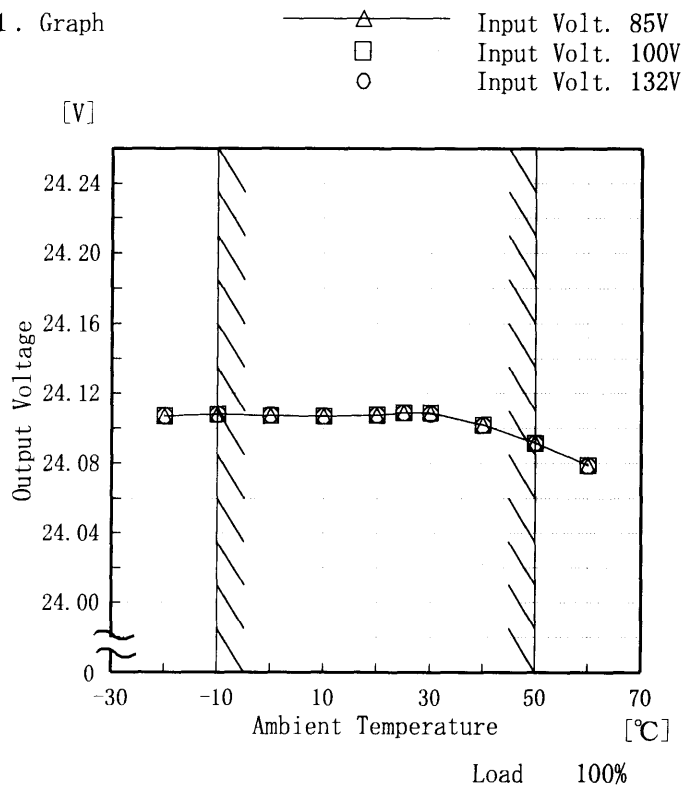




Model	LDA75F-24
Item	Ambient Temperature Drift 周囲温度変動
Object	+24.0V3.2A

Testing Circuitry Figure A

1. Graph



Note: Slanted line shows the range of the rated ambient temperature.

(注)斜線は定格周囲温度範囲を示す。

2. Values

Temperature [°C]	Output Voltage [V]		
	Input Volt. 85[V]	Input Volt. 100[V]	Input Volt. 132[V]
-20	24.107	24.107	24.107
-10	24.108	24.108	24.108
0	24.107	24.107	24.107
10	24.107	24.107	24.107
20	24.108	24.108	24.108
25	24.109	24.109	24.109
30	24.109	24.109	24.108
40	24.102	24.102	24.102
50	24.092	24.091	24.091
60	24.079	24.079	24.079
—	—	—	—



Model		LDA75F-24	Testing Circuitry Figure A																																						
Item		Minimum Input Voltage for Regulated Output Voltage 最低レギュレーション電圧																																							
Object		+24.0V3.2A																																							
1. Graph		<div style="display: flex; justify-content: space-around;"> <div style="text-align: center;">□ Load 50%</div> <div style="text-align: center;">△ Load 100%</div> </div>	2. Values																																						
		<table border="1"> <thead> <tr> <th rowspan="2">Ambient Temperature [°C]</th> <th colspan="2">Input Voltage [V]</th> </tr> <tr> <th>Load 50%</th> <th>Load 100%</th> </tr> </thead> <tbody> <tr><td>-20</td><td>56</td><td>61</td></tr> <tr><td>-10</td><td>55</td><td>61</td></tr> <tr><td>0</td><td>54</td><td>61</td></tr> <tr><td>10</td><td>53</td><td>60</td></tr> <tr><td>20</td><td>53</td><td>60</td></tr> <tr><td>25</td><td>53</td><td>60</td></tr> <tr><td>30</td><td>53</td><td>60</td></tr> <tr><td>40</td><td>53</td><td>60</td></tr> <tr><td>50</td><td>52</td><td>60</td></tr> <tr><td>60</td><td>52</td><td>60</td></tr> <tr><td>—</td><td>—</td><td>—</td></tr> </tbody> </table>	Ambient Temperature [°C]	Input Voltage [V]		Load 50%	Load 100%	-20	56	61	-10	55	61	0	54	61	10	53	60	20	53	60	25	53	60	30	53	60	40	53	60	50	52	60	60	52	60	—	—	—	
Ambient Temperature [°C]	Input Voltage [V]																																								
	Load 50%	Load 100%																																							
-20	56	61																																							
-10	55	61																																							
0	54	61																																							
10	53	60																																							
20	53	60																																							
25	53	60																																							
30	53	60																																							
40	53	60																																							
50	52	60																																							
60	52	60																																							
—	—	—																																							
Note: Slanted line shows the range of the rated ambient temperature.																																									
(注)斜線は定格周囲温度範囲を示す。																																									



COSEL																																								
Model	LDA75F-24																																							
Item	Ripple Voltage (by Ambient Temp.) リップル電圧 (周囲温度特性)	Testing Circuitry Figure A																																						
Object	+24.0V3.2A																																							
1. Graph	<div style="display: flex; justify-content: space-around; align-items: center;"> <div style="text-align: center;">□ Load 50%</div> <div style="text-align: center;">△ Load 100%</div> </div> <p style="text-align: center;">Input Volt. 100 V</p> <p>Note: Slanted line shows the range of the rated ambient temperature.</p> <p>(注)斜線は定格周囲温度範囲を示す。</p>	2. Values																																						
		<table border="1"> <thead> <tr> <th rowspan="2">Ambient Temp. [°C]</th> <th>Load 50%</th> <th>Load 100%</th> </tr> <tr> <th>Ripple Output Volt. [mV]</th> <th>Ripple Output Volt. [mV]</th> </tr> </thead> <tbody> <tr><td>-20</td><td>30</td><td>35</td></tr> <tr><td>-10</td><td>20</td><td>30</td></tr> <tr><td>0</td><td>20</td><td>25</td></tr> <tr><td>10</td><td>15</td><td>25</td></tr> <tr><td>20</td><td>15</td><td>20</td></tr> <tr><td>25</td><td>15</td><td>20</td></tr> <tr><td>30</td><td>15</td><td>20</td></tr> <tr><td>40</td><td>10</td><td>15</td></tr> <tr><td>50</td><td>10</td><td>10</td></tr> <tr><td>60</td><td>10</td><td>10</td></tr> <tr><td>—</td><td>—</td><td>—</td></tr> </tbody> </table>	Ambient Temp. [°C]	Load 50%	Load 100%	Ripple Output Volt. [mV]	Ripple Output Volt. [mV]	-20	30	35	-10	20	30	0	20	25	10	15	25	20	15	20	25	15	20	30	15	20	40	10	15	50	10	10	60	10	10	—	—	—
Ambient Temp. [°C]	Load 50%	Load 100%																																						
	Ripple Output Volt. [mV]	Ripple Output Volt. [mV]																																						
-20	30	35																																						
-10	20	30																																						
0	20	25																																						
10	15	25																																						
20	15	20																																						
25	15	20																																						
30	15	20																																						
40	10	15																																						
50	10	10																																						
60	10	10																																						
—	—	—																																						



COSEL																								
Model	LDA75F-24																							
Item	Time Lapse Drift 経時ドリフト	Temperature 25°C Testing Circuitry Figure A																						
Object	+24.0V3.2A																							
<p>1. Graph</p> <p>[V]</p> <p style="text-align: center;">Time [H]</p> <p>Input Volt. 100V Load 100%</p>		<p>2. Values</p> <table border="1"> <thead> <tr> <th>Time since start [H]</th> <th>Output Voltage [V]</th> </tr> </thead> <tbody> <tr><td>0.0</td><td>24.102</td></tr> <tr><td>0.5</td><td>24.093</td></tr> <tr><td>1.0</td><td>24.094</td></tr> <tr><td>2.0</td><td>24.094</td></tr> <tr><td>3.0</td><td>24.094</td></tr> <tr><td>4.0</td><td>24.094</td></tr> <tr><td>5.0</td><td>24.095</td></tr> <tr><td>6.0</td><td>24.095</td></tr> <tr><td>7.0</td><td>24.095</td></tr> <tr><td>8.0</td><td>24.095</td></tr> </tbody> </table>	Time since start [H]	Output Voltage [V]	0.0	24.102	0.5	24.093	1.0	24.094	2.0	24.094	3.0	24.094	4.0	24.094	5.0	24.095	6.0	24.095	7.0	24.095	8.0	24.095
Time since start [H]	Output Voltage [V]																							
0.0	24.102																							
0.5	24.093																							
1.0	24.094																							
2.0	24.094																							
3.0	24.094																							
4.0	24.094																							
5.0	24.095																							
6.0	24.095																							
7.0	24.095																							
8.0	24.095																							



Model		LDA75F-24	Testing Circuitry Figure A
Item		Output Voltage Accuracy 定電圧精度	
Object		+24.0V3.2A	

Output Voltage Accuracy

This is defined as the value of the output voltage, regulation load, ambient temperature and input voltage varied at random in the range as specified below.

Temperature : -10~50 °C

Input Voltage : 85~132 V

Load Current : 0~3.2 A

* Output Voltage Accuracy = $\pm (\text{Maximum of Output Voltage} - \text{Minimum of Output Voltage}) / 2$

* Output Voltage Accuracy (Ration) = $\frac{\text{Output Voltage Accuracy}}{\text{Rated Output Voltage}} \times 100$

定電圧精度

周囲温度、入力電圧、負荷電流を下記仕様内で、任意に変動させたときの出力電圧の変動をいう。

周囲温度 -10~50 °C

入力電圧 85~132 V

負荷電流 0~3.2 A

* 定電圧精度(変動値) = $\pm (\text{出力電圧の最高値} - \text{出力電圧の最低値}) / 2$

* 定電圧精度(変動率) = $\frac{\text{変動値}}{\text{定格出力電圧}} \times 100$

Item	Temperature [°C]	Input Voltage [V]	Output Current [A]	Output Voltage [V]	Output Voltage Accuracy [mV]	Output Voltage Accuracy (Ration) [%]
Maximum Voltage	25	85	0.0	24.116	±15	±0.1
Minimum Voltage	50	132	3.2	24.088		



COSEL		
Model	LDA75F-24	
Item	Condensation 結露特性	Testing Circuitry Figure A
Object	+24.0V3.2A	

1. Condensation test

Testing procedure is as follows.

- ① Keeping and cooling the unit in a tank at -10°C for an hour with the input off.
- ② Taking it out of the tank and dewing itself in a room where the temperature is 25°C and the humidity is 40%RH.
- ③ Testing electrical characteristics of the unit to confirm there be no fault.

1. 結露特性試験

入力を切った状態で、恒温槽で-10°Cに冷却しておき、約1時間後に恒温槽から取り出し、室温25°C、湿度40%RHの状態におき結露させ、その電気的特性の測定を行い、異常のないことを確認する。

2. Values

Item	Data	Testing Conditions
Output Voltage [V]	24.108	Input Volt.: 100V, Load Current:3.2A
Line Regulation [mV]	3	Input Volt.: 85~132V, Load Current:3.2A
Load Regulation [mV]	6	Input Volt.: 100V, Load Current:0.0~3.2A



Model		LDA75F-24	Temperature 25°C Testing Circuitry Figure B
Item		Leakage Current 漏洩電流	
Object		_____	

1. Results

Standards	Leakage Current [mA]		
	Input Volt. 85 [V]	Input Volt. 100 [V]	Input Volt. 132 [V]
(A) DENTORI	0.15	0.17	0.22
(B) IEC60950	0.14	0.16	0.20

Standards	Leakage Current [mA]		
	Input Volt. 170 [V]	Input Volt. 230 [V]	Input Volt. 264 [V]
(B) IEC60950	—	—	—

2. Condition

Leakage current value is concluded after measuring both phases of AC input and by choosing the larger one.

交流入力 of 両相について測定し、その大きい方を漏洩電流測定値とする。



Model		LDA75F-24	Temperature 25°C Testing Circuitry Figure C
Item		Line Noise Tolerance 入力雑音耐量	
Object		+24.0V3.2A	

1. Results

Pulse Width [nS]	MODE	No protection failure should occur 保護回路の誤動作がない	DC-like Regulation of Output Voltage 出力電圧の直流的変動
50	COMMON	OK	no fluctuation
	NORMAL	OK	no fluctuation
1000	COMMON	OK	no fluctuation
	NORMAL	OK	no fluctuation

2. Conditions

Input Voltage : 100 V
 Pulse Voltage : 2000 V
 Pulse Cycle : 10 mS
 Pulse Input Duration : 1 min. or more
 Load : 100 %



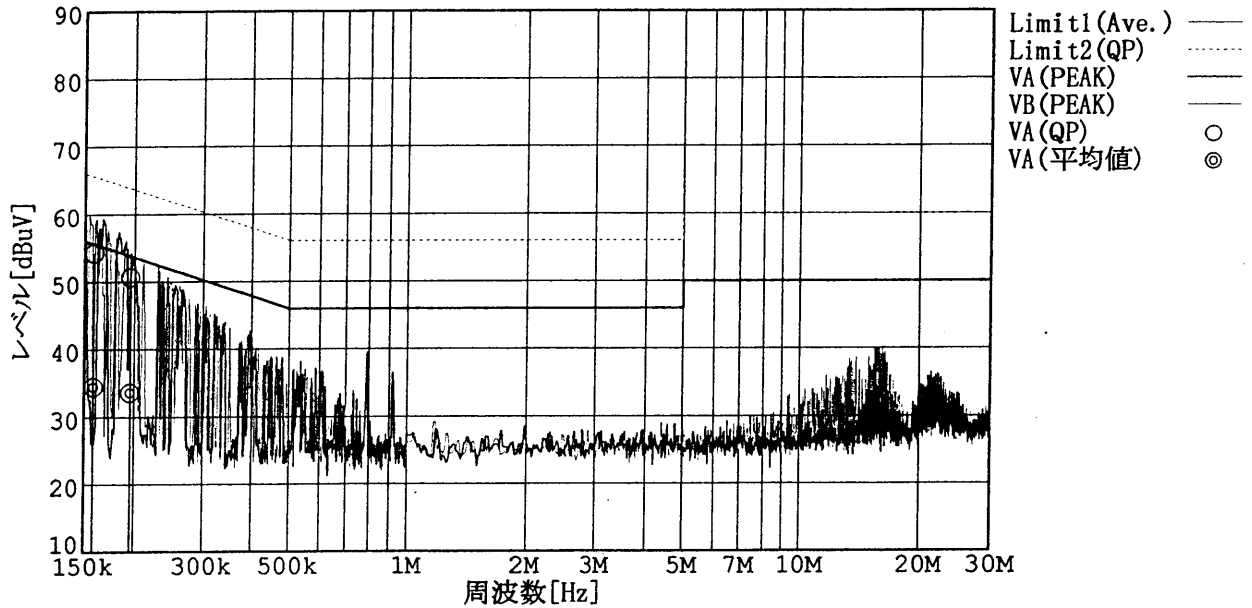
Model		LDA75F-24	
Item		Conducted Emission 雑音端子電圧	Temperature 25°C Testing Circuitry Figure D
Object			

1. Graph

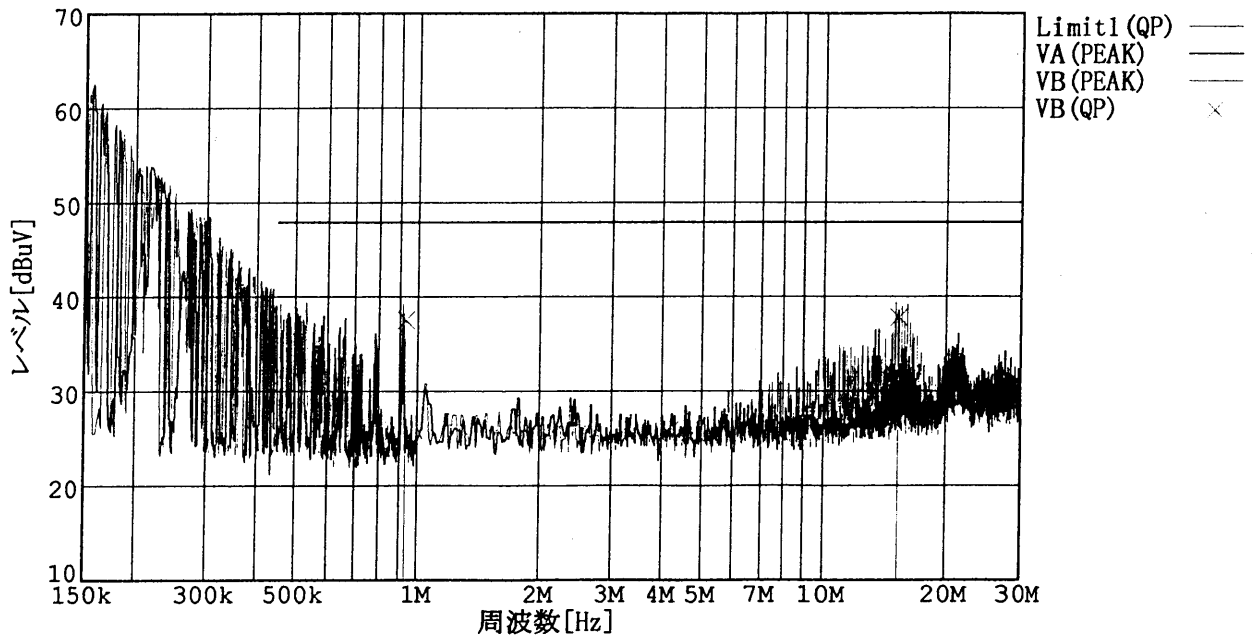
Remarks

Input Volt. 100 V (VCCI Class B)
120 V (FCC Class B)
Load 100 %

規格 1 : [VCCI] Class B(平均値)
規格 2 : [VCCI] Class B(QP)



規格 1 : [FCC Part15] Class B



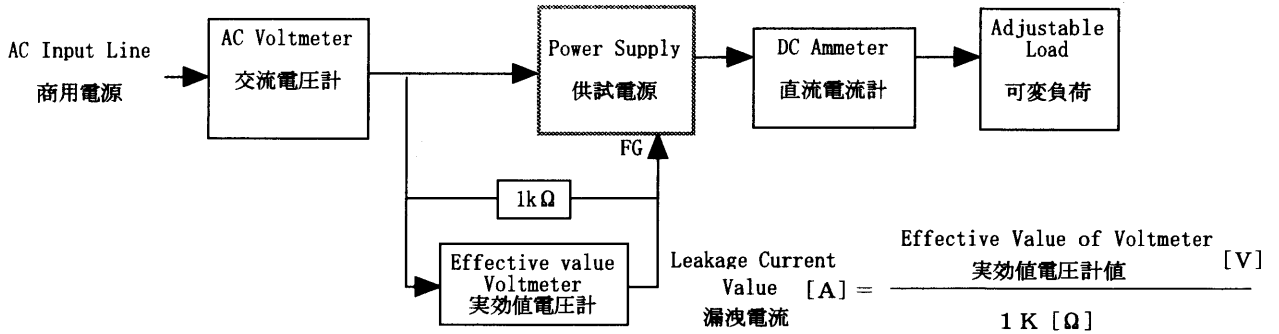
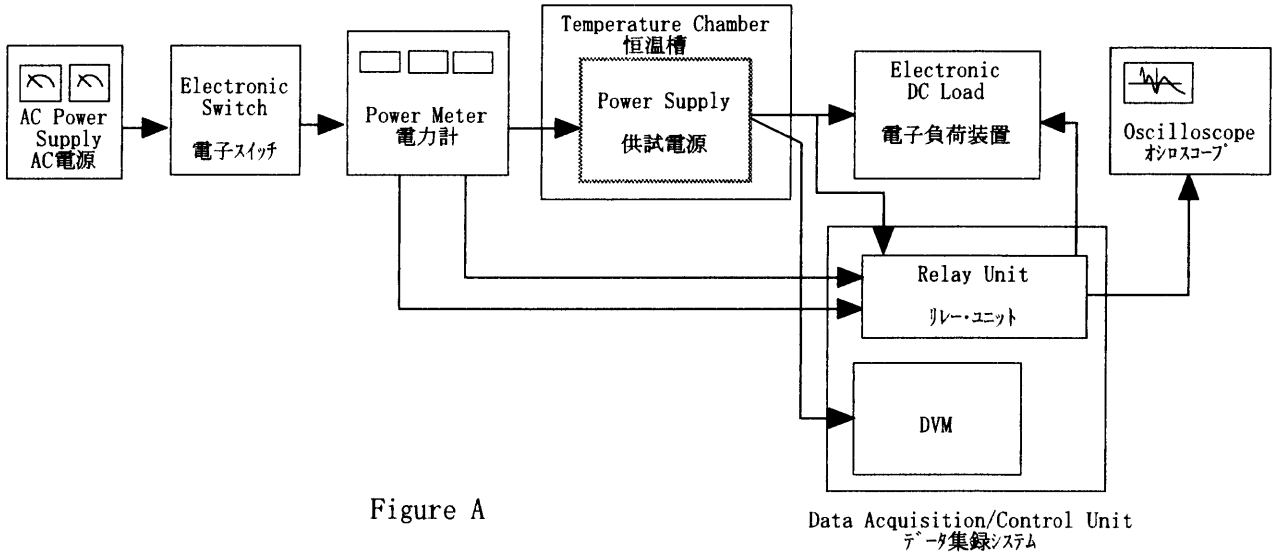


Figure B (DENTORI)

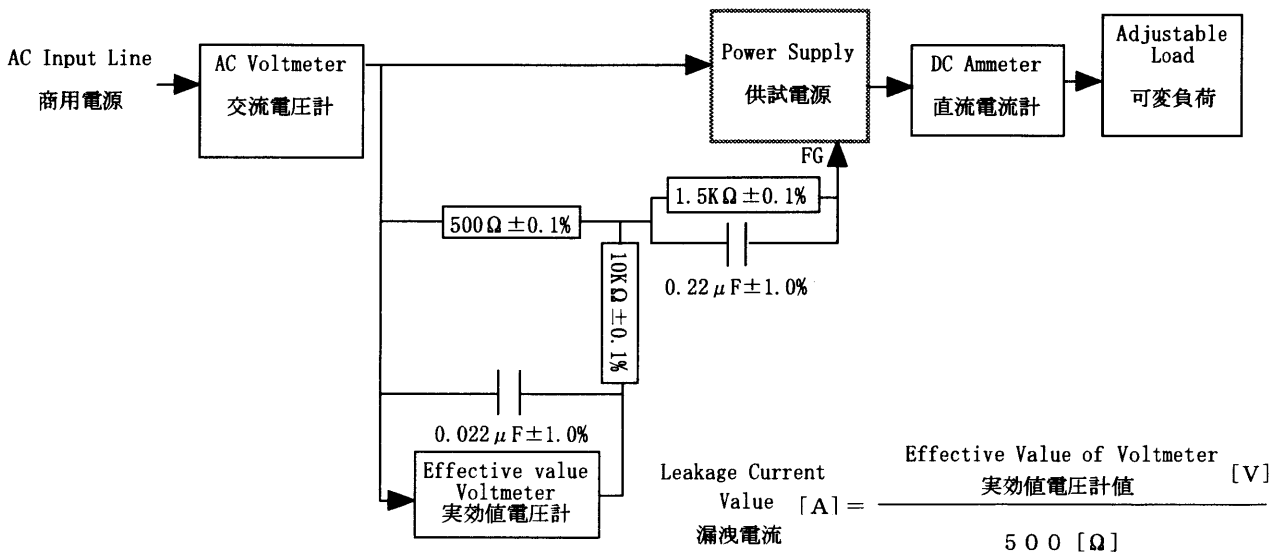


Figure B (IEC 60950)

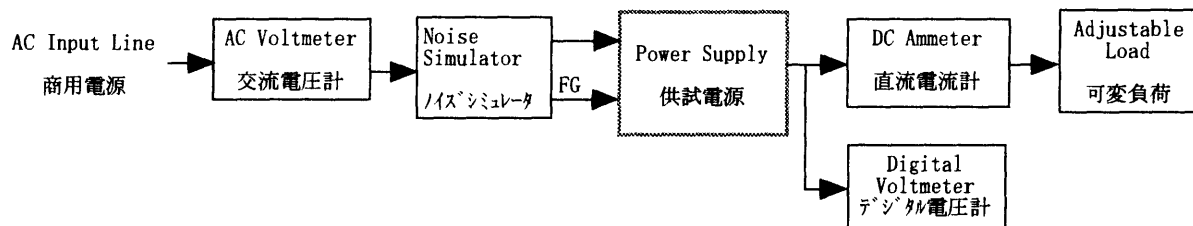


Figure C

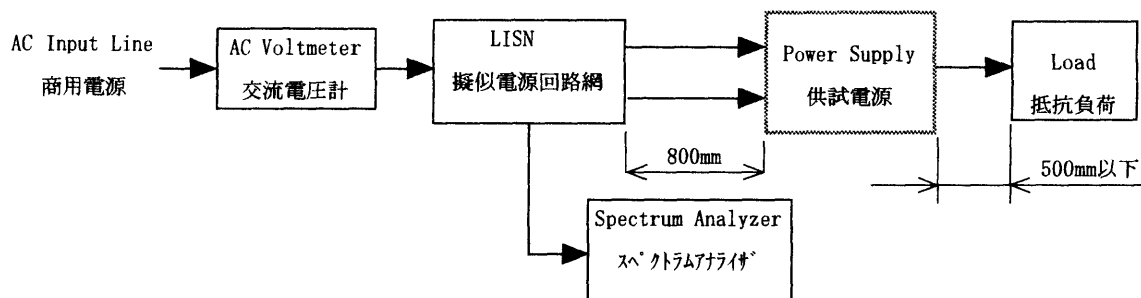


Figure D

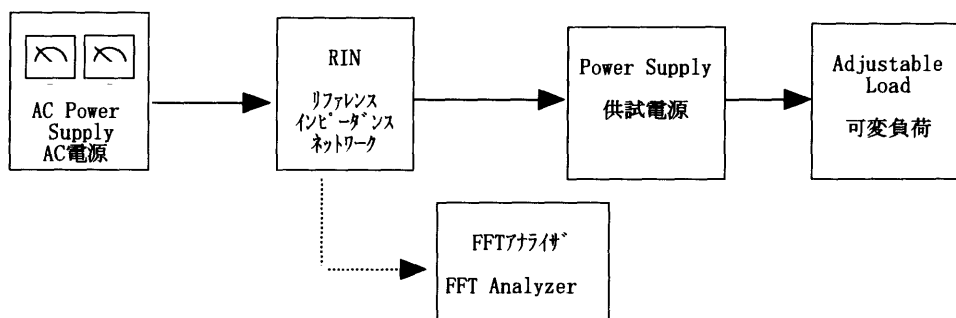


Figure E