

CONTENTS

1. Line Regulation	1
静的入力変動	
2. Input Current (by Load Current)	2
入力電流 (負荷特性)	
3. Input Power (by Load Current)	3
入力電力 (負荷特性)	
4. Efficiency (by Input Voltage)	4
効率 (入力電圧特性)	
5. Efficiency (by Load Current)	5
効率 (負荷特性)	
6. Hold-Up Time	6
出力保持時間	
7. Instantaneous Interruption Compensation	7
瞬時停電保障	
8. Load Regulation	8
静的負荷変動	
9. Ripple Voltage (by Load Current)	9
リップル電圧 (負荷特性)	
10. Ripple-Noise	10
リップルノイズ	
11. Overcurrent Protection	11
過電流保護	
12. Overvoltage Protection	12
過電圧保護	
13. Inrush Current	13
突入電流	
14. Dynamic Load Responce	14
動的負荷変動	
15. Rise and Fall Time	15
立上り、立下がり時間	
16. Ambient Temperature Drift	16
周囲温度変動	
17. Minimum Input Voltage for Regulated Output Voltage .	17
最低レギュレーション電圧	
18. Ripple Voltage (by Ambient Temperature)	18
リップル電圧 (周囲温度特性)	
19. Time Lapse Drift	19
経時ドリフト	
20. Output Voltage Accuracy	20
定電圧精度	
21. Condensation	21
結露特性	
22. Leakage Current	22
漏洩電流	
23. Line Noise Tolerance	23
入力雑音耐量	
24. Conducted Emission	24
雑音端子電圧	
25. Figure of Testing Circuitry	25
測定回路図	

(Final Page 26)



Model		LDA75F-12	Temperature	25°C																															
Item		Line Regulation 静的入力変動	Testing Circuitry	Figure A																															
Object		+12.0V6.3A																																	
1. Graph		□ Load 50%	2. Values																																
		△ Load 100%																																	
<p>[V]</p> <p>Output Voltage [V]</p> <p>Input Voltage [V]</p> <p>Note: Slanted line shows the range of the rated input voltage.</p> <p>(注)斜線は定格入力電圧範囲を示す。</p>		<table border="1"> <thead> <tr> <th rowspan="2">Input Voltage [V]</th> <th colspan="2">Output Voltage [V]</th> </tr> <tr> <th>Load 50%</th> <th>Load 100%</th> </tr> </thead> <tbody> <tr><td>150</td><td>12.102</td><td>12.097</td></tr> <tr><td>160</td><td>12.101</td><td>12.097</td></tr> <tr><td>170</td><td>12.101</td><td>12.097</td></tr> <tr><td>180</td><td>12.101</td><td>12.097</td></tr> <tr><td>200</td><td>12.101</td><td>12.097</td></tr> <tr><td>220</td><td>12.101</td><td>12.097</td></tr> <tr><td>240</td><td>12.101</td><td>12.097</td></tr> <tr><td>264</td><td>12.101</td><td>12.097</td></tr> <tr><td>280</td><td>12.101</td><td>12.097</td></tr> </tbody> </table>		Input Voltage [V]	Output Voltage [V]		Load 50%	Load 100%	150	12.102	12.097	160	12.101	12.097	170	12.101	12.097	180	12.101	12.097	200	12.101	12.097	220	12.101	12.097	240	12.101	12.097	264	12.101	12.097	280	12.101	12.097
Input Voltage [V]	Output Voltage [V]																																		
	Load 50%	Load 100%																																	
150	12.102	12.097																																	
160	12.101	12.097																																	
170	12.101	12.097																																	
180	12.101	12.097																																	
200	12.101	12.097																																	
220	12.101	12.097																																	
240	12.101	12.097																																	
264	12.101	12.097																																	
280	12.101	12.097																																	



Model		LDA75F-12		Temperature		25°C																																																								
Item		Input Current (by Load Current) 入力電流 (負荷特性)		Testing Circuitry		Figure A																																																								
Output		_____																																																												
1. Graph				2. Values																																																										
<p> Input Volt. 170V Input Volt. 200V Input Volt. 264V </p>				<table border="1"> <thead> <tr> <th rowspan="2">Load Current [A]</th> <th colspan="3">Input Current [A]</th> </tr> <tr> <th>Input Volt. 170[V]</th> <th>Input Volt. 200[V]</th> <th>Input Volt. 264[V]</th> </tr> </thead> <tbody> <tr><td>0.00</td><td>0.072</td><td>0.069</td><td>0.074</td></tr> <tr><td>1.00</td><td>0.239</td><td>0.224</td><td>0.206</td></tr> <tr><td>2.00</td><td>0.385</td><td>0.351</td><td>0.308</td></tr> <tr><td>3.00</td><td>0.543</td><td>0.488</td><td>0.416</td></tr> <tr><td>4.00</td><td>0.706</td><td>0.631</td><td>0.529</td></tr> <tr><td>5.00</td><td>0.871</td><td>0.774</td><td>0.643</td></tr> <tr><td>6.00</td><td>1.036</td><td>0.919</td><td>0.759</td></tr> <tr><td>6.30</td><td>1.091</td><td>0.968</td><td>0.798</td></tr> <tr><td>6.93</td><td>1.192</td><td>1.057</td><td>0.870</td></tr> <tr><td>—</td><td>—</td><td>—</td><td>—</td></tr> <tr><td>—</td><td>—</td><td>—</td><td>—</td></tr> <tr><td>—</td><td>—</td><td>—</td><td>—</td></tr> </tbody> </table>				Load Current [A]	Input Current [A]			Input Volt. 170[V]	Input Volt. 200[V]	Input Volt. 264[V]	0.00	0.072	0.069	0.074	1.00	0.239	0.224	0.206	2.00	0.385	0.351	0.308	3.00	0.543	0.488	0.416	4.00	0.706	0.631	0.529	5.00	0.871	0.774	0.643	6.00	1.036	0.919	0.759	6.30	1.091	0.968	0.798	6.93	1.192	1.057	0.870	—	—	—	—	—	—	—	—	—	—	—	—
Load Current [A]	Input Current [A]																																																													
	Input Volt. 170[V]	Input Volt. 200[V]	Input Volt. 264[V]																																																											
0.00	0.072	0.069	0.074																																																											
1.00	0.239	0.224	0.206																																																											
2.00	0.385	0.351	0.308																																																											
3.00	0.543	0.488	0.416																																																											
4.00	0.706	0.631	0.529																																																											
5.00	0.871	0.774	0.643																																																											
6.00	1.036	0.919	0.759																																																											
6.30	1.091	0.968	0.798																																																											
6.93	1.192	1.057	0.870																																																											
—	—	—	—																																																											
—	—	—	—																																																											
—	—	—	—																																																											
<p>Note: Slanted line shows the range of the rated load current</p> <p>(注) 斜線は定格負荷電流範囲を示す。</p>																																																														



Model		LDA75F-12	Temperature		25°C																																																							
Item		Input Power (by Load Current) 入力電力 (負荷特性)	Testing Circuitry		Figure A																																																							
Output		—————																																																										
1. Graph			2. Values																																																									
<p> Input Volt. 170V Input Volt. 200V Input Volt. 264V </p>			<table border="1"> <thead> <tr> <th rowspan="2">Load Current [A]</th> <th colspan="3">Input Power [W]</th> </tr> <tr> <th>Input Volt. 170 [V]</th> <th>Input Volt. 200 [V]</th> <th>Input Volt. 264 [V]</th> </tr> </thead> <tbody> <tr><td>0.00</td><td>3.90</td><td>4.30</td><td>5.90</td></tr> <tr><td>1.00</td><td>18.90</td><td>19.80</td><td>22.60</td></tr> <tr><td>2.00</td><td>32.30</td><td>33.50</td><td>36.30</td></tr> <tr><td>3.00</td><td>46.40</td><td>47.40</td><td>50.30</td></tr> <tr><td>4.00</td><td>60.60</td><td>61.50</td><td>63.90</td></tr> <tr><td>5.00</td><td>74.80</td><td>75.60</td><td>77.80</td></tr> <tr><td>6.00</td><td>89.30</td><td>90.00</td><td>92.40</td></tr> <tr><td>6.30</td><td>93.70</td><td>94.30</td><td>97.00</td></tr> <tr><td>6.93</td><td>102.90</td><td>103.50</td><td>106.00</td></tr> <tr><td>—</td><td>—</td><td>—</td><td>—</td></tr> <tr><td>—</td><td>—</td><td>—</td><td>—</td></tr> <tr><td>—</td><td>—</td><td>—</td><td>—</td></tr> </tbody> </table>			Load Current [A]	Input Power [W]			Input Volt. 170 [V]	Input Volt. 200 [V]	Input Volt. 264 [V]	0.00	3.90	4.30	5.90	1.00	18.90	19.80	22.60	2.00	32.30	33.50	36.30	3.00	46.40	47.40	50.30	4.00	60.60	61.50	63.90	5.00	74.80	75.60	77.80	6.00	89.30	90.00	92.40	6.30	93.70	94.30	97.00	6.93	102.90	103.50	106.00	—	—	—	—	—	—	—	—	—	—	—	—
Load Current [A]	Input Power [W]																																																											
	Input Volt. 170 [V]	Input Volt. 200 [V]	Input Volt. 264 [V]																																																									
0.00	3.90	4.30	5.90																																																									
1.00	18.90	19.80	22.60																																																									
2.00	32.30	33.50	36.30																																																									
3.00	46.40	47.40	50.30																																																									
4.00	60.60	61.50	63.90																																																									
5.00	74.80	75.60	77.80																																																									
6.00	89.30	90.00	92.40																																																									
6.30	93.70	94.30	97.00																																																									
6.93	102.90	103.50	106.00																																																									
—	—	—	—																																																									
—	—	—	—																																																									
—	—	—	—																																																									
<p>Note: Slanted line shows the range of the rated load current</p> <p>(注)斜線は定格負荷電流範囲を示す。</p>																																																												



Model		LDA75F-12		Temperature	25°C																																
Item		Efficiency 効率		Testing Circuitry	Figure A																																
Object		_____																																			
1. Graph			□ Load 50%	2. Values																																	
<p>Efficiency [%]</p> <p>Input Voltage [V]</p>			<table border="1"> <thead> <tr> <th rowspan="2">Input Voltage [V]</th> <th colspan="2">Efficiency [%]</th> </tr> <tr> <th>Load 50%</th> <th>Load 100%</th> </tr> </thead> <tbody> <tr><td>150</td><td>80.4</td><td>82.0</td></tr> <tr><td>160</td><td>79.9</td><td>81.5</td></tr> <tr><td>170</td><td>79.4</td><td>81.4</td></tr> <tr><td>180</td><td>78.7</td><td>81.3</td></tr> <tr><td>200</td><td>77.6</td><td>81.0</td></tr> <tr><td>220</td><td>76.1</td><td>80.5</td></tr> <tr><td>240</td><td>75.0</td><td>79.8</td></tr> <tr><td>264</td><td>73.3</td><td>79.2</td></tr> <tr><td>280</td><td>72.2</td><td>78.3</td></tr> </tbody> </table>			Input Voltage [V]	Efficiency [%]		Load 50%	Load 100%	150	80.4	82.0	160	79.9	81.5	170	79.4	81.4	180	78.7	81.3	200	77.6	81.0	220	76.1	80.5	240	75.0	79.8	264	73.3	79.2	280	72.2	78.3
Input Voltage [V]	Efficiency [%]																																				
	Load 50%	Load 100%																																			
150	80.4	82.0																																			
160	79.9	81.5																																			
170	79.4	81.4																																			
180	78.7	81.3																																			
200	77.6	81.0																																			
220	76.1	80.5																																			
240	75.0	79.8																																			
264	73.3	79.2																																			
280	72.2	78.3																																			
<p>Note: Slanted line shows the range of the rated input voltage.</p> <p>(注)斜線は定格入力電圧範囲を示す。</p>																																					



Model LDA75F-12		Temperature 25°C																																																							
Item	Efficiency (by Load Current) 効率 (負荷電流特性)	Testing Circuitry Figure A																																																							
Output	_____																																																								
<p>1. Graph</p> <p>△ Input Volt. 170V □ Input Volt. 200V ○ Input Volt. 264V</p> <p>Note: Slanted line shows the range of the rated load current</p> <p>(注)斜線は定格負荷電流範囲を示す。</p>		<p>2. Values</p> <table border="1"> <thead> <tr> <th rowspan="2">Load Current [A]</th> <th colspan="3">Efficiency [%]</th> </tr> <tr> <th>Input Volt. 170[V]</th> <th>Input Volt. 200[V]</th> <th>Input Volt. 264[V]</th> </tr> </thead> <tbody> <tr><td>1.00</td><td>65.0</td><td>62.1</td><td>54.4</td></tr> <tr><td>2.00</td><td>75.3</td><td>72.6</td><td>67.0</td></tr> <tr><td>3.00</td><td>78.7</td><td>77.1</td><td>72.6</td></tr> <tr><td>4.00</td><td>80.4</td><td>79.2</td><td>76.3</td></tr> <tr><td>5.00</td><td>81.3</td><td>80.5</td><td>78.2</td></tr> <tr><td>6.00</td><td>81.7</td><td>81.1</td><td>79.0</td></tr> <tr><td>6.30</td><td>81.8</td><td>81.3</td><td>79.1</td></tr> <tr><td>6.93</td><td>81.9</td><td>81.4</td><td>79.5</td></tr> <tr><td>—</td><td>—</td><td>—</td><td>—</td></tr> <tr><td>—</td><td>—</td><td>—</td><td>—</td></tr> <tr><td>—</td><td>—</td><td>—</td><td>—</td></tr> <tr><td>—</td><td>—</td><td>—</td><td>—</td></tr> </tbody> </table>	Load Current [A]	Efficiency [%]			Input Volt. 170[V]	Input Volt. 200[V]	Input Volt. 264[V]	1.00	65.0	62.1	54.4	2.00	75.3	72.6	67.0	3.00	78.7	77.1	72.6	4.00	80.4	79.2	76.3	5.00	81.3	80.5	78.2	6.00	81.7	81.1	79.0	6.30	81.8	81.3	79.1	6.93	81.9	81.4	79.5	—	—	—	—	—	—	—	—	—	—	—	—	—	—	—	—
Load Current [A]	Efficiency [%]																																																								
	Input Volt. 170[V]	Input Volt. 200[V]	Input Volt. 264[V]																																																						
1.00	65.0	62.1	54.4																																																						
2.00	75.3	72.6	67.0																																																						
3.00	78.7	77.1	72.6																																																						
4.00	80.4	79.2	76.3																																																						
5.00	81.3	80.5	78.2																																																						
6.00	81.7	81.1	79.0																																																						
6.30	81.8	81.3	79.1																																																						
6.93	81.9	81.4	79.5																																																						
—	—	—	—																																																						
—	—	—	—																																																						
—	—	—	—																																																						
—	—	—	—																																																						



<p>Model LDA75F-12</p>		<p>Temperature 25°C</p>																																	
<p>Item Hold-Up Time 出力保持時間</p>		<p>Testing Circuitry Figure A</p>																																	
<p>Object +12.0V6.3A</p>																																			
<p>1. Graph</p> <div style="display: flex; justify-content: space-around;"> □ Load 50% △ Load 100% </div> <p>Hold-Up Time [mS]</p> <p>Input Voltage [V]</p>		<p>2. Values</p> <table border="1"> <thead> <tr> <th rowspan="2">Input Voltage [V]</th> <th colspan="2">Hold-Up Time [mS]</th> </tr> <tr> <th>Load 50%</th> <th>Load 100%</th> </tr> </thead> <tbody> <tr><td>150</td><td>136</td><td>69</td></tr> <tr><td>160</td><td>157</td><td>80</td></tr> <tr><td>170</td><td>180</td><td>92</td></tr> <tr><td>180</td><td>205</td><td>106</td></tr> <tr><td>200</td><td>257</td><td>134</td></tr> <tr><td>220</td><td>316</td><td>165</td></tr> <tr><td>240</td><td>379</td><td>199</td></tr> <tr><td>264</td><td>463</td><td>245</td></tr> <tr><td>280</td><td>523</td><td>278</td></tr> </tbody> </table>		Input Voltage [V]	Hold-Up Time [mS]		Load 50%	Load 100%	150	136	69	160	157	80	170	180	92	180	205	106	200	257	134	220	316	165	240	379	199	264	463	245	280	523	278
Input Voltage [V]	Hold-Up Time [mS]																																		
	Load 50%	Load 100%																																	
150	136	69																																	
160	157	80																																	
170	180	92																																	
180	205	106																																	
200	257	134																																	
220	316	165																																	
240	379	199																																	
264	463	245																																	
280	523	278																																	
<p>This duration covers from Shut-off of input voltage to the moment when output voltage descends to the rated range of voltage accuracy.</p> <p>Note: Slanted line shows the range of the rated input voltage.</p> <p>出力保持時間とは、入力電圧断から出力電圧が、定電圧精度の規格範囲を保持しているところまでの時間。</p> <p>(注)斜線は定格入力電圧範囲を示す。</p>																																			



Model		LDA75F-12	Temperature		25°C																																																			
Item		Instantaneous Interruption Compensation 瞬時停電保障	Testing Circuitry		Figure A																																																			
Object		+12.0V6.3A																																																						
1. Graph			2. Values																																																					
<p>—△— Input Volt. 170 V —□— Input Volt. 200 V —○— Input Volt. 264 V</p> <p>This duration covers from Shut-off of input voltage to the moment when output voltage descends to the rated range of voltage accuracy. Note: Slanted line shows the range of the rated load current.</p> <p>瞬時停電保障時間とは、出力電圧が定電圧精度の規格範囲を保持している瞬時停電時間をいう。 (注)斜線は定格負荷電流範囲を示す。</p>			<table border="1"> <thead> <tr> <th rowspan="2">Load Current [A]</th> <th colspan="3">Time [mS]</th> </tr> <tr> <th>Input Volt. 170[V]</th> <th>Input Volt. 200[V]</th> <th>Input Volt. 264[V]</th> </tr> </thead> <tbody> <tr><td>0.00</td><td>—</td><td>—</td><td>—</td></tr> <tr><td>1.00</td><td>530</td><td>739</td><td>1279</td></tr> <tr><td>2.00</td><td>290</td><td>414</td><td>730</td></tr> <tr><td>3.00</td><td>198</td><td>282</td><td>507</td></tr> <tr><td>4.00</td><td>148</td><td>214</td><td>337</td></tr> <tr><td>5.00</td><td>120</td><td>173</td><td>314</td></tr> <tr><td>6.00</td><td>98</td><td>142</td><td>262</td></tr> <tr><td>6.30</td><td>93</td><td>135</td><td>248</td></tr> <tr><td>6.93</td><td>84</td><td>122</td><td>225</td></tr> <tr><td>—</td><td>—</td><td>—</td><td>—</td></tr> <tr><td>—</td><td>—</td><td>—</td><td>—</td></tr> </tbody> </table>			Load Current [A]	Time [mS]			Input Volt. 170[V]	Input Volt. 200[V]	Input Volt. 264[V]	0.00	—	—	—	1.00	530	739	1279	2.00	290	414	730	3.00	198	282	507	4.00	148	214	337	5.00	120	173	314	6.00	98	142	262	6.30	93	135	248	6.93	84	122	225	—	—	—	—	—	—	—	—
Load Current [A]	Time [mS]																																																							
	Input Volt. 170[V]	Input Volt. 200[V]	Input Volt. 264[V]																																																					
0.00	—	—	—																																																					
1.00	530	739	1279																																																					
2.00	290	414	730																																																					
3.00	198	282	507																																																					
4.00	148	214	337																																																					
5.00	120	173	314																																																					
6.00	98	142	262																																																					
6.30	93	135	248																																																					
6.93	84	122	225																																																					
—	—	—	—																																																					
—	—	—	—																																																					

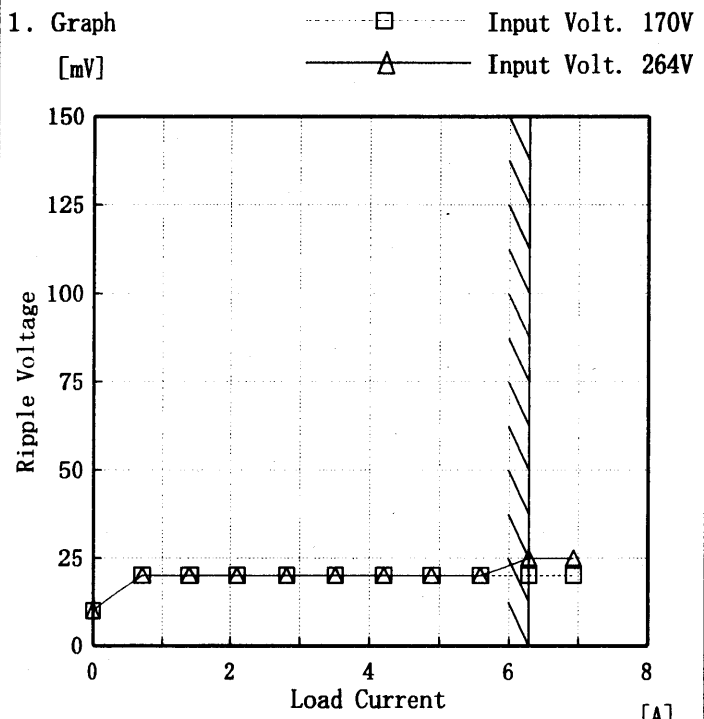


Model		LDA75F-12	Temperature	25°C																																															
Item		Load Regulation 静的負荷変動	Testing Circuitry	Figure A																																															
Object		+12.0V6.3A																																																	
1. Graph		<p> △ Input Volt. 170 V □ Input Volt. 200 V ○ Input Volt. 264 V </p>	2. Values																																																
			<table border="1"> <thead> <tr> <th rowspan="2">Load Current [A]</th> <th colspan="3">Output Voltage [V]</th> </tr> <tr> <th>Input Volt. 170[V]</th> <th>Input Volt. 200[V]</th> <th>Input Volt. 264[V]</th> </tr> </thead> <tbody> <tr><td>0.00</td><td>12.105</td><td>12.104</td><td>12.104</td></tr> <tr><td>1.00</td><td>12.103</td><td>12.103</td><td>12.103</td></tr> <tr><td>2.00</td><td>12.102</td><td>12.102</td><td>12.102</td></tr> <tr><td>3.00</td><td>12.101</td><td>12.101</td><td>12.101</td></tr> <tr><td>4.00</td><td>12.100</td><td>12.100</td><td>12.099</td></tr> <tr><td>5.00</td><td>12.099</td><td>12.099</td><td>12.098</td></tr> <tr><td>6.00</td><td>12.098</td><td>12.098</td><td>12.097</td></tr> <tr><td>6.30</td><td>12.098</td><td>12.097</td><td>12.097</td></tr> <tr><td>6.93</td><td>12.097</td><td>12.097</td><td>12.096</td></tr> <tr><td>—</td><td>—</td><td>—</td><td>—</td></tr> </tbody> </table>		Load Current [A]	Output Voltage [V]			Input Volt. 170[V]	Input Volt. 200[V]	Input Volt. 264[V]	0.00	12.105	12.104	12.104	1.00	12.103	12.103	12.103	2.00	12.102	12.102	12.102	3.00	12.101	12.101	12.101	4.00	12.100	12.100	12.099	5.00	12.099	12.099	12.098	6.00	12.098	12.098	12.097	6.30	12.098	12.097	12.097	6.93	12.097	12.097	12.096	—	—	—	—
Load Current [A]	Output Voltage [V]																																																		
	Input Volt. 170[V]	Input Volt. 200[V]	Input Volt. 264[V]																																																
0.00	12.105	12.104	12.104																																																
1.00	12.103	12.103	12.103																																																
2.00	12.102	12.102	12.102																																																
3.00	12.101	12.101	12.101																																																
4.00	12.100	12.100	12.099																																																
5.00	12.099	12.099	12.098																																																
6.00	12.098	12.098	12.097																																																
6.30	12.098	12.097	12.097																																																
6.93	12.097	12.097	12.096																																																
—	—	—	—																																																
Note: Slanted line shows the range of the rated load current.																																																			
(注)斜線は定格負荷電流範囲を示す。																																																			

COSEL

Model	LDA75F-12	Temperature	25°C
Item	Ripple Voltage (by Load Current) リップル電圧(負荷電流特性)	Testing Circuitry	Figure A

Object +12.0V6.3A



2. Values

Load Current [A]	Input Volt. 170 [V]	Input Volt. 264 [V]
	Ripple Output Volt. [mV]	Ripple Output Volt. [mV]
0.00	10	10
0.70	20	20
1.40	20	20
2.10	20	20
2.80	20	20
3.50	20	20
4.20	20	20
4.90	20	20
5.60	20	20
6.30	20	25
6.93	20	25

Ripple Voltage is shown as p-p in the figure below.
 Note: Slanted line shows the range of the rated load current.

リップル電圧は、下図 p-p 値で示される。
 (注)斜線は定格負荷電流範囲を示す。

T1: Due to AC Input Line
 入力商用周期
 T2: Due to Switching
 スイッチング周期

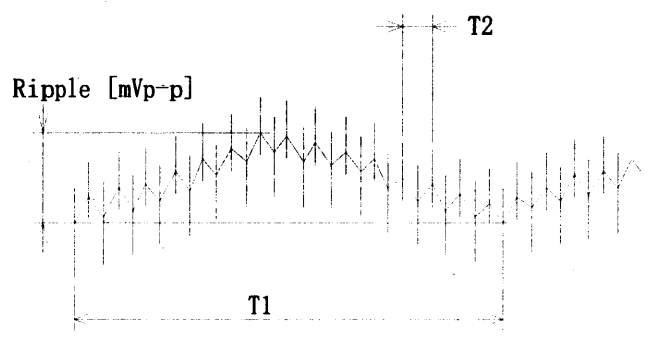


Fig. Complex Ripple Wave Form
 図 リップル波形詳細図



Model		LDA75F-12		Temperature		25°C																																							
Item		Ripple-Noise リップルノイズ		Testing Circuitry		Figure A																																							
Object		+12.0V6.3A																																											
<p>1. Graph</p> <p>[mV]</p> <p>-----□----- Input Volt. 170V</p> <p>-----△----- Input Volt. 264V</p> <p>Ripple-Noise</p> <p>Load Current [A]</p>				<p>2. Values</p> <table border="1"> <thead> <tr> <th rowspan="2">Load current [A]</th> <th>Input Volt. 170 [V]</th> <th>Input Volt. 264 [V]</th> </tr> <tr> <th>Ripple-Noise [mV]</th> <th>Ripple-Noise [mV]</th> </tr> </thead> <tbody> <tr><td>0.00</td><td>25</td><td>30</td></tr> <tr><td>0.70</td><td>35</td><td>30</td></tr> <tr><td>1.40</td><td>35</td><td>30</td></tr> <tr><td>2.10</td><td>35</td><td>35</td></tr> <tr><td>2.80</td><td>35</td><td>35</td></tr> <tr><td>3.50</td><td>40</td><td>40</td></tr> <tr><td>4.20</td><td>40</td><td>40</td></tr> <tr><td>4.90</td><td>40</td><td>40</td></tr> <tr><td>5.60</td><td>45</td><td>45</td></tr> <tr><td>6.30</td><td>50</td><td>45</td></tr> <tr><td>6.93</td><td>50</td><td>45</td></tr> </tbody> </table>				Load current [A]	Input Volt. 170 [V]	Input Volt. 264 [V]	Ripple-Noise [mV]	Ripple-Noise [mV]	0.00	25	30	0.70	35	30	1.40	35	30	2.10	35	35	2.80	35	35	3.50	40	40	4.20	40	40	4.90	40	40	5.60	45	45	6.30	50	45	6.93	50	45
Load current [A]	Input Volt. 170 [V]	Input Volt. 264 [V]																																											
	Ripple-Noise [mV]	Ripple-Noise [mV]																																											
0.00	25	30																																											
0.70	35	30																																											
1.40	35	30																																											
2.10	35	35																																											
2.80	35	35																																											
3.50	40	40																																											
4.20	40	40																																											
4.90	40	40																																											
5.60	45	45																																											
6.30	50	45																																											
6.93	50	45																																											
<p>Ripple-Noise is shown as p-p in the figure below.</p> <p>Note: Slanted line shows the range of the rated load current.</p> <p>リップルノイズは、下図 p-p 値で示される。</p> <p>(注) 斜線は定格負荷電流範囲を示す。</p>																																													
<p>T1: Due to AC Input Line 入力商用周期</p> <p>T2: Due to Switching スイッチング周期</p> <p>Ripple-Noise [mVp-p]</p>																																													
<p>Fig. Complex Ripple Wave Form</p> <p>図 リップル波形詳細図</p>																																													

COSEL

Model LDA75F-12		Temperature 25°C Testing Circuitry Figure A																																																							
Item Overcurrent Protection 過電流保護																																																									
Object +12.0V6.3A		2. Values																																																							
<p>1. Graph</p> <p>[V]</p> <p>Output Voltage</p> <p>20.0</p> <p>15.0</p> <p>10.0</p> <p>5.0</p> <p>0.0</p> <p>0 2 4 6 8 10</p> <p>Load Current [A]</p> <p>----- Input Volt. 170 V _____ Input Volt. 200 V _____ Input Volt. 264 V</p>																																																									
<p>Note: Slanted line shows the range of the rated load current.</p> <p>(注)斜線は定格負荷電流範囲を示す。</p>		<table border="1"> <thead> <tr> <th rowspan="2">Output Voltage [V]</th> <th colspan="3">Load Current [A]</th> </tr> <tr> <th>Input Volt. 170[V]</th> <th>Input Volt. 200[V]</th> <th>Input Volt. 264[V]</th> </tr> </thead> <tbody> <tr><td>12.00</td><td>8.35</td><td>8.38</td><td>8.47</td></tr> <tr><td>11.40</td><td>8.38</td><td>8.41</td><td>8.49</td></tr> <tr><td>10.80</td><td>8.40</td><td>8.43</td><td>8.52</td></tr> <tr><td>9.60</td><td>8.46</td><td>8.49</td><td>8.57</td></tr> <tr><td>8.40</td><td>8.52</td><td>8.54</td><td>8.64</td></tr> <tr><td>7.20</td><td>8.57</td><td>8.59</td><td>8.70</td></tr> <tr><td>6.00</td><td>8.61</td><td>8.63</td><td>8.77</td></tr> <tr><td>4.80</td><td>8.66</td><td>8.69</td><td>8.86</td></tr> <tr><td>3.60</td><td>8.70</td><td>8.71</td><td>8.86</td></tr> <tr><td>2.40</td><td>8.69</td><td>8.66</td><td>8.70</td></tr> <tr><td>1.20</td><td>8.47</td><td>8.36</td><td>8.16</td></tr> <tr><td>0.00</td><td>7.91</td><td>7.80</td><td>7.65</td></tr> </tbody> </table>	Output Voltage [V]	Load Current [A]			Input Volt. 170[V]	Input Volt. 200[V]	Input Volt. 264[V]	12.00	8.35	8.38	8.47	11.40	8.38	8.41	8.49	10.80	8.40	8.43	8.52	9.60	8.46	8.49	8.57	8.40	8.52	8.54	8.64	7.20	8.57	8.59	8.70	6.00	8.61	8.63	8.77	4.80	8.66	8.69	8.86	3.60	8.70	8.71	8.86	2.40	8.69	8.66	8.70	1.20	8.47	8.36	8.16	0.00	7.91	7.80	7.65
Output Voltage [V]	Load Current [A]																																																								
	Input Volt. 170[V]	Input Volt. 200[V]	Input Volt. 264[V]																																																						
12.00	8.35	8.38	8.47																																																						
11.40	8.38	8.41	8.49																																																						
10.80	8.40	8.43	8.52																																																						
9.60	8.46	8.49	8.57																																																						
8.40	8.52	8.54	8.64																																																						
7.20	8.57	8.59	8.70																																																						
6.00	8.61	8.63	8.77																																																						
4.80	8.66	8.69	8.86																																																						
3.60	8.70	8.71	8.86																																																						
2.40	8.69	8.66	8.70																																																						
1.20	8.47	8.36	8.16																																																						
0.00	7.91	7.80	7.65																																																						

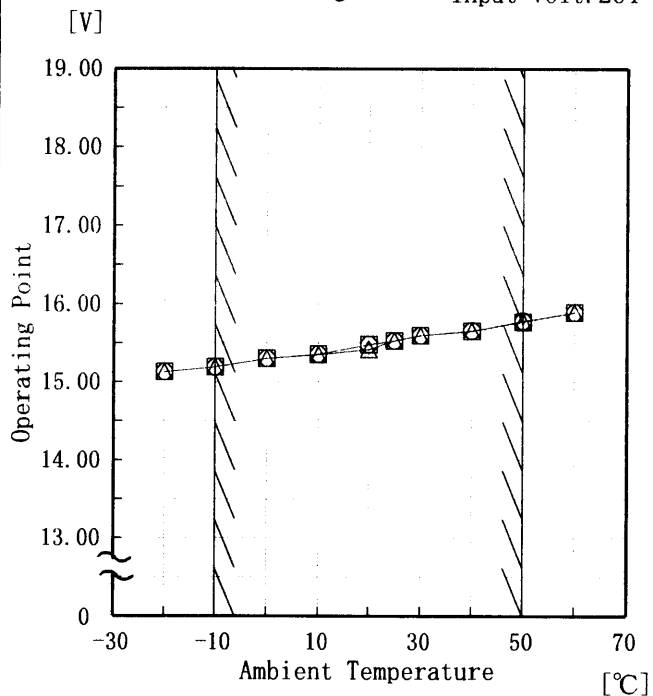


Model	LDA75F-12
Item	Overvoltage Protection 過電圧保護
Object	+12.0V6.3A

Testing Circuitry Figure A

1. Graph

- △— Input Volt. 170 V
- Input Volt. 200 V
- Input Volt. 264 V



Load 0%

Note: Slanted line shows the range of the rated ambient temperature.

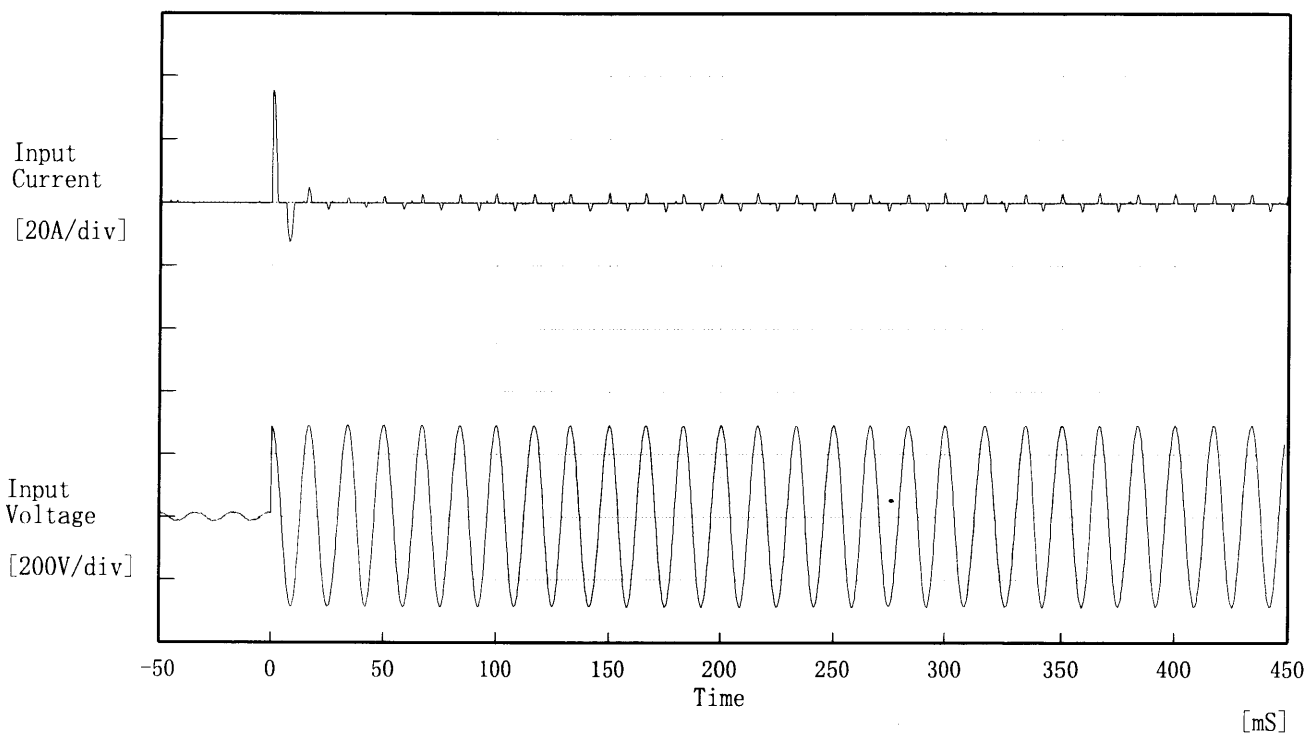
(注)斜線は定格周囲温度範囲を示す。

2. Values

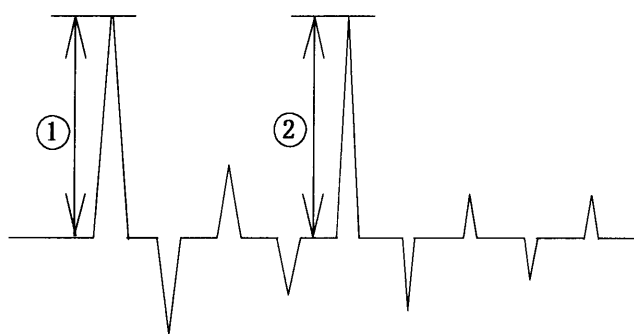
Ambient Temp. [°C]	Input Volt. 170[V]	Input Volt. 200[V]	Input Volt. 264[V]
	Operating Point [V]		
-20	15.13	15.13	15.13
-10	15.19	15.19	15.19
0	15.30	15.30	15.30
10	15.35	15.36	15.36
20	15.42	15.48	15.48
25	15.53	15.53	15.53
30	15.60	15.60	15.60
40	15.65	15.65	15.66
50	15.78	15.77	15.78
60	15.89	15.89	15.89
—	—	—	—



Model	LDA75F-12	Temperature	25°C
Item	Inrush Current 突入電流	Testing Circuitry	Figure A
Object	_____		



Input Voltage 200 V
 Frequency 60 Hz
 Load 100 %
 Inrush Current
 ① 35.52 [A]
 ② 3.12 [A]



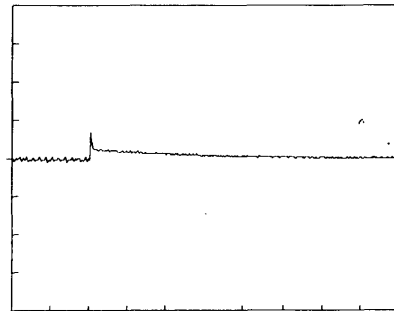
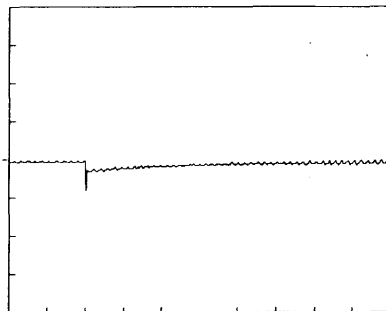


Model		LDA75F-12	Temperature 25°C Testing Circuitry Figure A
Item		Dynamic Load Response 動的負荷変動	
Object		+12.0V6.3A	

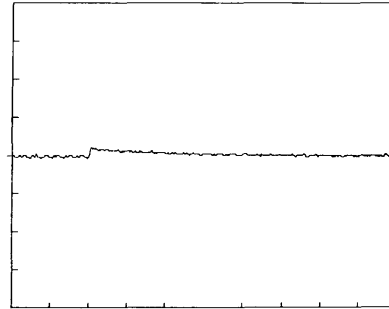
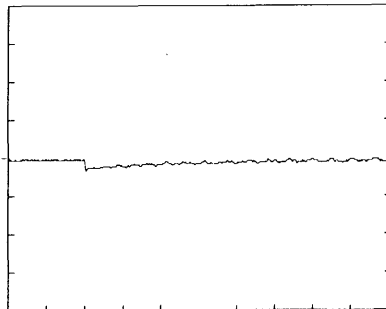
Input Volt. 200 V
Cycle 1000 mS



Load 0% ↔
Load 100 %



Load 0% ↔
Load 50 %



100 mV/div

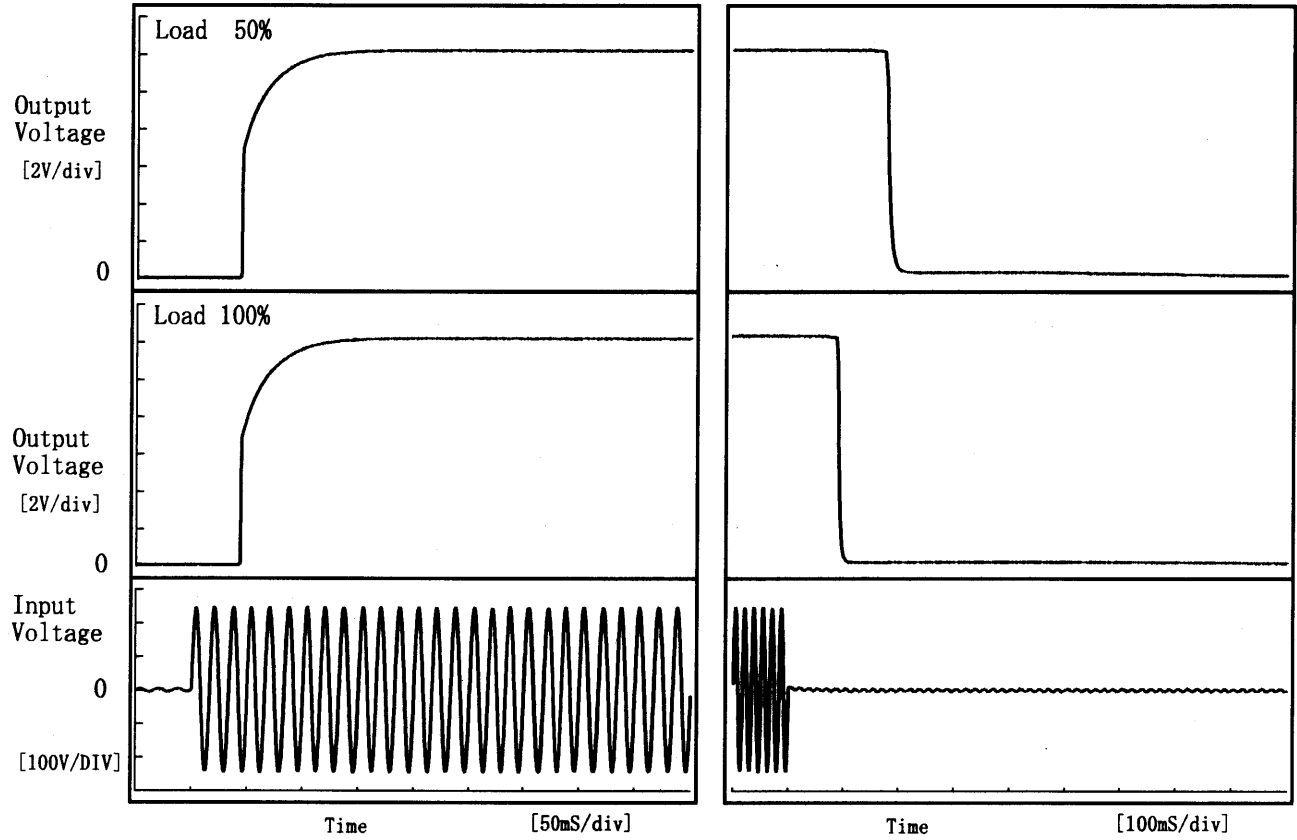
10 mS/div

COSEL

Model	LDA75F-12	Temperature	25°C
Item	Rise and Fall Time 立上り、立下り時間	Testing Circuitry	Figure A
Object	+12.0V6.3A		

1. Graph

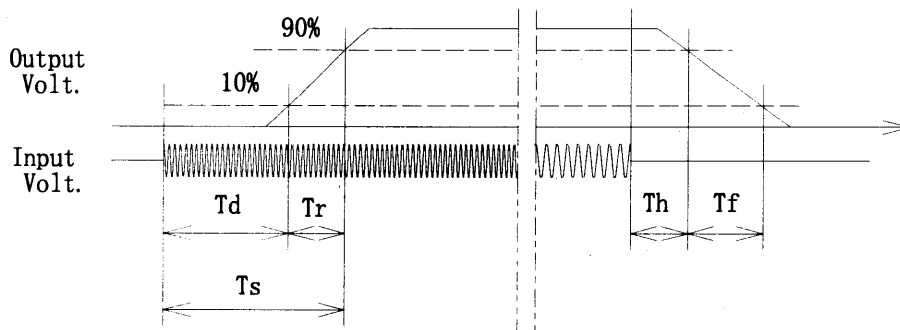
Input Volt. 170 V



2. Values

[mS]

Load \ Time	T d	T r	T s	T h	T f
50 %	42.8	35.0	77.8	180.0	13.0
100 %	42.8	36.0	78.8	92.5	7.0





Model		LDA75F-12		Testing Circuitry Figure A																																																			
Item		Ambient Temperature Drift 周囲温度変動																																																					
Object		+12.0V6.3A																																																					
1. Graph			△ Input Volt. 170V □ Input Volt. 200V ○ Input Volt. 264V	2. Values																																																			
<p style="text-align: center;">Load 100%</p>			<table border="1"> <thead> <tr> <th rowspan="2">Temperature [°C]</th> <th colspan="3">Output Voltage [V]</th> </tr> <tr> <th>Input Volt. 170[V]</th> <th>Input Volt. 200[V]</th> <th>Input Volt. 264[V]</th> </tr> </thead> <tbody> <tr><td>-20</td><td>12.119</td><td>12.119</td><td>12.119</td></tr> <tr><td>-10</td><td>12.115</td><td>12.114</td><td>12.114</td></tr> <tr><td>0</td><td>12.109</td><td>12.109</td><td>12.109</td></tr> <tr><td>10</td><td>12.104</td><td>12.104</td><td>12.104</td></tr> <tr><td>20</td><td>12.099</td><td>12.099</td><td>12.099</td></tr> <tr><td>25</td><td>12.097</td><td>12.097</td><td>12.097</td></tr> <tr><td>30</td><td>12.097</td><td>12.096</td><td>12.096</td></tr> <tr><td>40</td><td>12.089</td><td>12.089</td><td>12.089</td></tr> <tr><td>50</td><td>12.080</td><td>12.079</td><td>12.079</td></tr> <tr><td>60</td><td>12.068</td><td>12.068</td><td>12.068</td></tr> <tr><td>—</td><td>—</td><td>—</td><td>—</td></tr> </tbody> </table>		Temperature [°C]	Output Voltage [V]			Input Volt. 170[V]	Input Volt. 200[V]	Input Volt. 264[V]	-20	12.119	12.119	12.119	-10	12.115	12.114	12.114	0	12.109	12.109	12.109	10	12.104	12.104	12.104	20	12.099	12.099	12.099	25	12.097	12.097	12.097	30	12.097	12.096	12.096	40	12.089	12.089	12.089	50	12.080	12.079	12.079	60	12.068	12.068	12.068	—	—	—	—
Temperature [°C]	Output Voltage [V]																																																						
	Input Volt. 170[V]	Input Volt. 200[V]	Input Volt. 264[V]																																																				
-20	12.119	12.119	12.119																																																				
-10	12.115	12.114	12.114																																																				
0	12.109	12.109	12.109																																																				
10	12.104	12.104	12.104																																																				
20	12.099	12.099	12.099																																																				
25	12.097	12.097	12.097																																																				
30	12.097	12.096	12.096																																																				
40	12.089	12.089	12.089																																																				
50	12.080	12.079	12.079																																																				
60	12.068	12.068	12.068																																																				
—	—	—	—																																																				
Note: Slanted line shows the range of the rated ambient temperature. (注) 斜線は定格周囲温度範囲を示す。																																																							



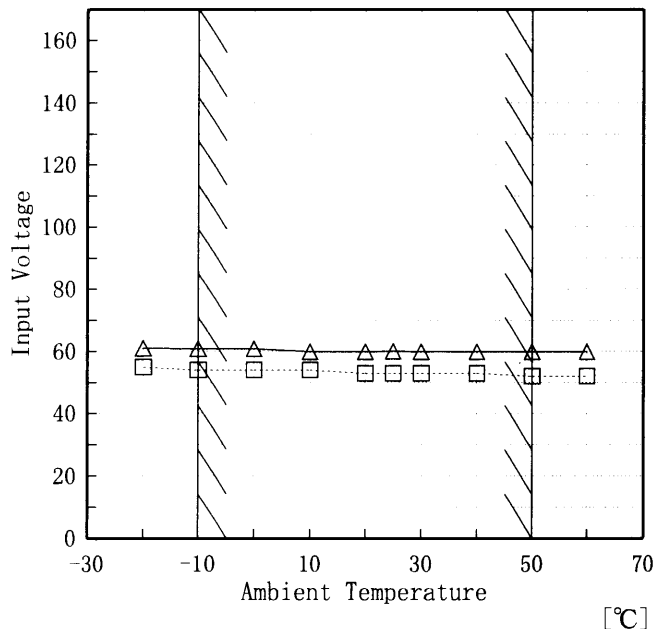
Model LDA75F-12

Item Minimum Input Voltage for Regulated Output Voltage
最低レギュレーション電圧

Testing Circuitry Figure A

Object +12.0V6.3A

1. Graph □ Load 50%
△ Load 100%



Note: Slanted line shows the range of the rated ambient temperature.

(注) 斜線は定格周囲温度範囲を示す。

2. Values

Ambient Temperature [°C]	Input Voltage [V]	
	Load 50%	Load 100%
-20	55	61
-10	54	61
0	54	61
10	54	60
20	53	60
25	53	60
30	53	60
40	53	60
50	52	60
60	52	60
—	—	—



Model		LDA75F-12	Testing Circuitry	Figure A																																				
Item		Ripple Voltage (by Ambient Temp.) リップル電圧 (周囲温度特性)																																						
Object		+12.0V6.3A																																						
1. Graph			2. Values																																					
<p>□ Load 50%</p> <p>—△— Load 100%</p> <p>Input Volt. 200 V</p> <p>Note: Slanted line shows the range of the rated ambient temperature.</p> <p>(注)斜線は定格周囲温度範囲を示す。</p>			<table border="1"> <thead> <tr> <th>Ambient Temp. [°C]</th> <th>Load 50% Ripple Output Volt. [mV]</th> <th>Load 100% Ripple Output Volt. [mV]</th> </tr> </thead> <tbody> <tr><td>-20</td><td>55</td><td>55</td></tr> <tr><td>-10</td><td>45</td><td>45</td></tr> <tr><td>0</td><td>35</td><td>35</td></tr> <tr><td>10</td><td>30</td><td>30</td></tr> <tr><td>20</td><td>25</td><td>25</td></tr> <tr><td>25</td><td>25</td><td>25</td></tr> <tr><td>30</td><td>20</td><td>20</td></tr> <tr><td>40</td><td>15</td><td>15</td></tr> <tr><td>50</td><td>15</td><td>15</td></tr> <tr><td>60</td><td>15</td><td>15</td></tr> <tr><td>—</td><td>—</td><td>—</td></tr> </tbody> </table>		Ambient Temp. [°C]	Load 50% Ripple Output Volt. [mV]	Load 100% Ripple Output Volt. [mV]	-20	55	55	-10	45	45	0	35	35	10	30	30	20	25	25	25	25	25	30	20	20	40	15	15	50	15	15	60	15	15	—	—	—
Ambient Temp. [°C]	Load 50% Ripple Output Volt. [mV]	Load 100% Ripple Output Volt. [mV]																																						
-20	55	55																																						
-10	45	45																																						
0	35	35																																						
10	30	30																																						
20	25	25																																						
25	25	25																																						
30	20	20																																						
40	15	15																																						
50	15	15																																						
60	15	15																																						
—	—	—																																						



COSEL																									
Model	LDA75F-12	Temperature	25°C																						
Item	Time Lapse Drift 経時ドリフト	Testing Circuitry	Figure A																						
Object	+12.0V6.3A																								
<p>1. Graph</p> <p style="text-align: center;">Time [H]</p> <p>Input Volt. 200V Load 100%</p>		<p>2. Values</p> <table border="1"> <thead> <tr> <th>Time since start [H]</th> <th>Output Voltage [V]</th> </tr> </thead> <tbody> <tr><td>0.0</td><td>12.101</td></tr> <tr><td>0.5</td><td>12.090</td></tr> <tr><td>1.0</td><td>12.090</td></tr> <tr><td>2.0</td><td>12.090</td></tr> <tr><td>3.0</td><td>12.090</td></tr> <tr><td>4.0</td><td>12.090</td></tr> <tr><td>5.0</td><td>12.090</td></tr> <tr><td>6.0</td><td>12.090</td></tr> <tr><td>7.0</td><td>12.090</td></tr> <tr><td>8.0</td><td>12.090</td></tr> </tbody> </table>		Time since start [H]	Output Voltage [V]	0.0	12.101	0.5	12.090	1.0	12.090	2.0	12.090	3.0	12.090	4.0	12.090	5.0	12.090	6.0	12.090	7.0	12.090	8.0	12.090
Time since start [H]	Output Voltage [V]																								
0.0	12.101																								
0.5	12.090																								
1.0	12.090																								
2.0	12.090																								
3.0	12.090																								
4.0	12.090																								
5.0	12.090																								
6.0	12.090																								
7.0	12.090																								
8.0	12.090																								



Model		LDA75F-12	Testing Circuitry Figure A
Item	Output Voltage Accuracy 定電圧精度		
Object	+12.0V6.3A		

Output Voltage Accuracy

This is defined as the value of the output voltage, regulation load, ambient temperature and input voltage varied at random in the range as specified below.

Temperature : -10~50 °C

Input Voltage : 170~264 V

Load Current : 0~6.3 A

* Output Voltage Accuracy = $\pm (\text{Maximum of Output Voltage} - \text{Minimum of Output Voltage}) / 2$

* Output Voltage Accuracy (Ration) = $\frac{\text{Output Voltage Accuracy}}{\text{Rated Output Voltage}} \times 100$

定電圧精度

周囲温度、入力電圧、負荷電流を下記仕様内で、任意に変動させたときの出力電圧の変動をいう。

周囲温度 -10~50 °C

入力電圧 170~264 V

負荷電流 0~6.3 A

* 定電圧精度(変動値) = $\pm (\text{出力電圧の最高値} - \text{出力電圧の最低値}) / 2$

* 定電圧精度(変動率) = $\frac{\text{変動値}}{\text{定格出力電圧}} \times 100$

Item	Temperature [°C]	Input Voltage [V]	Output Current [A]	Output Voltage [V]	Output Voltage Accuracy [mV]	Output Voltage Accuracy (Ration) [%]
Maximum Voltage	-10	264	0.0	12.121	±22	±0.2
Minimum Voltage	50	264	6.3	12.077		



COSEL		
Model	LDA75F-12	
Item	Condensation 結露特性	Testing Circuitry Figure A
Object	+12.0V6.3A	

1. Condensation test

Testing procedure is as follows.

- ① Keeping and cooling the unit in a tank at -10°C for an hour with the input off.
- ② Taking it out of the tank and dewing itself in a room where the temperature is 25°C and the humidity is 40%RH.
- ③ Testing electrical characteristics of the unit to confirm there be no fault.

1. 結露特性試験

入力を切った状態で、恒温槽で-10°Cに冷却しておき、約1時間後に恒温槽から取り出し、室温25°C、湿度40%RHの状態におき結露させ、その電気的特性の測定を行い、異常のないことを確認する。

2. Values

Item	Data	Testing Conditions
Output Voltage [V]	12.099	Input Volt.: 200V, Load Current:6.3A
Line Regulation [mV]	7	Input Volt.: 170~264V, Load Current:6.3A
Load Regulation [mV]	10	Input Volt.: 200V, Load Current:0.0~6.3A



Model		LDA75F-12	Temperature	25°C
Item		Leakage Current 漏洩電流	Testing Circuitry	Figure B
Object		_____		

1. Results

Standards	Leakage Current [mA]		
	Input Volt. 85 [V]	Input Volt. 100 [V]	Input Volt. 132 [V]
(A) DENTORI	--	--	--
(B) IEC60950	--	--	--

Standards	Leakage Current [mA]		
	Input Volt. 170 [V]	Input Volt. 230 [V]	Input Volt. 264 [V]
(B) IEC60950	0.34	0.41	0.45

2. Condition

Leakage current value is concluded after measuring both phases of AC input and by choosing the larger one.

交流入力 of 両相について測定し、その大きい方を漏洩電流測定値とする。



Model		LDA75F-12	Temperature		25°C
Item		Line Noise Tolerance 入力雑音耐量	Testing Circuitry		Figure C
Object		+12.0V6.3A			

1. Results

Pulse Width [nS]	MODE	No protection failure should occur 保護回路の誤動作がない	DC-like Regulation of Output Voltage 出力電圧の直流的変動
50	COMMON	OK	no fluctuation
	NORMAL	OK	no fluctuation
1000	COMMON	OK	no fluctuation
	NORMAL	OK	no fluctuation

2. Conditions

Input Voltage : 200 V
 Pulse Voltage : 2000 V
 Pulse Cycle : 10 mS
 Pulse Input Duration : 1 min. or more
 Load : 100 %

COSEL

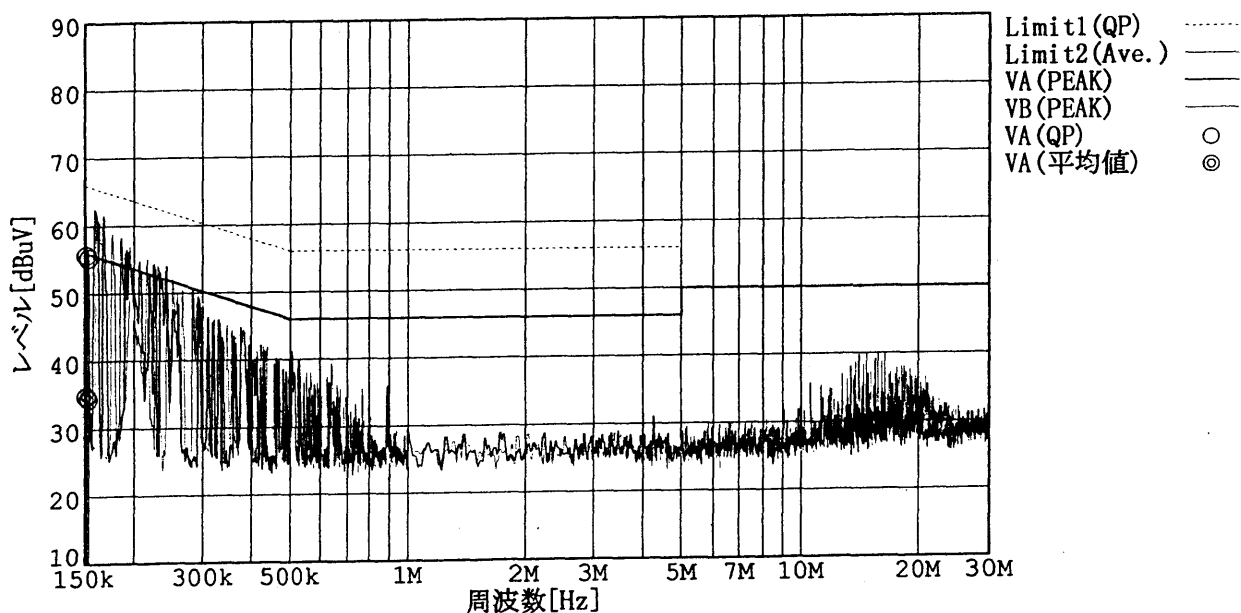
Model		LDA75F-12	Temperature		25°C
Item		Conducted Emission 雑音端子電圧	Testing Circuitry		Figure D
Object					

1. Graph

Remarks

Input Volt. 230 V
Load 100 %

規格 1 : [EN 55022] Class B(QP)
規格 2 : [EN 55022] Class B(平均値)



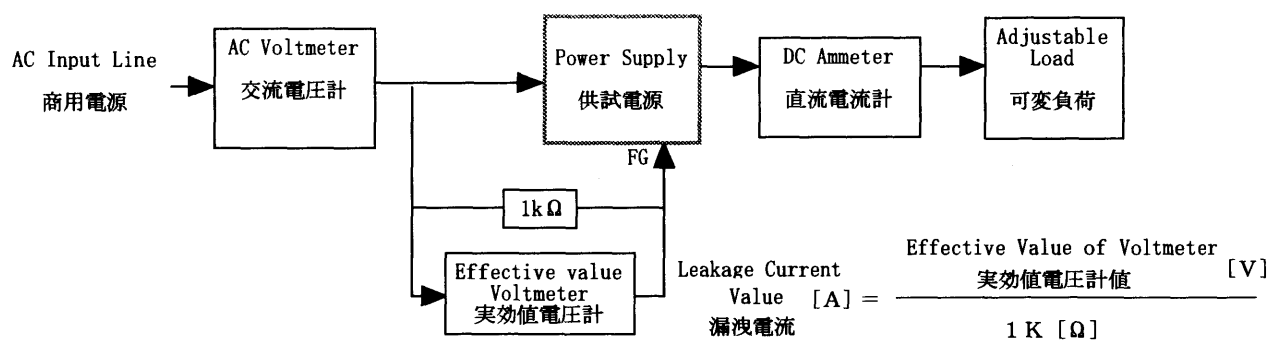
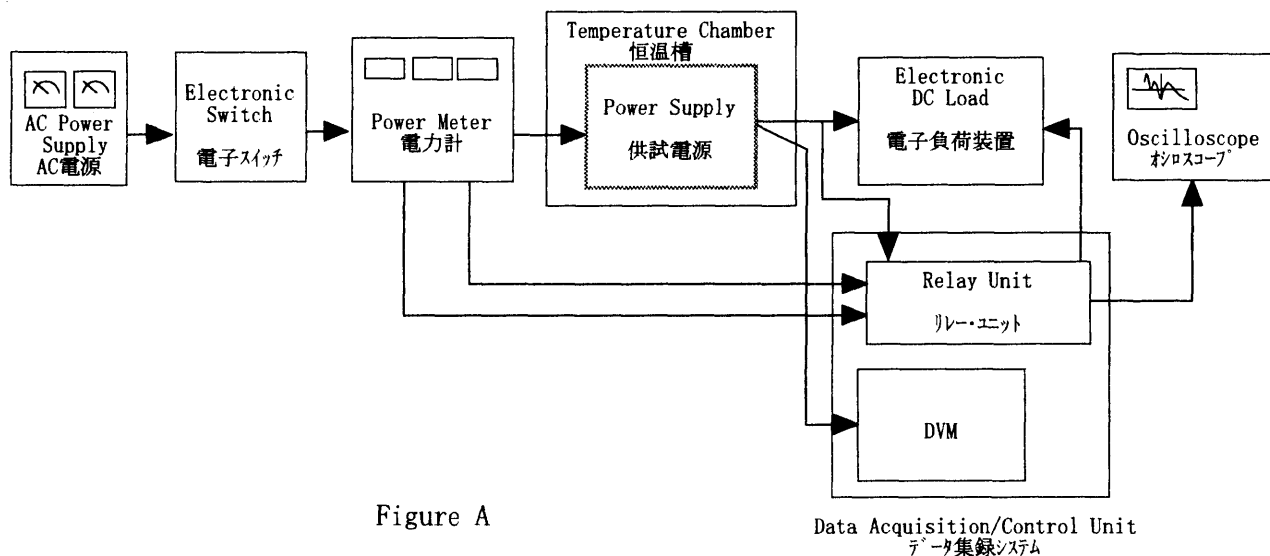


Figure B (DENTORI)

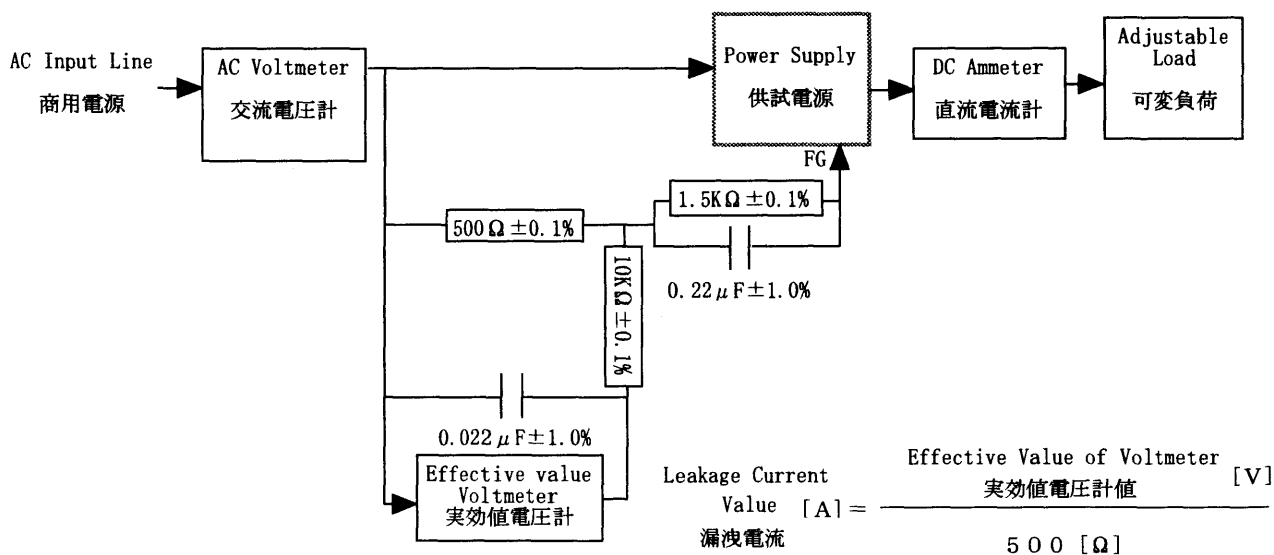


Figure B (IEC 60950)

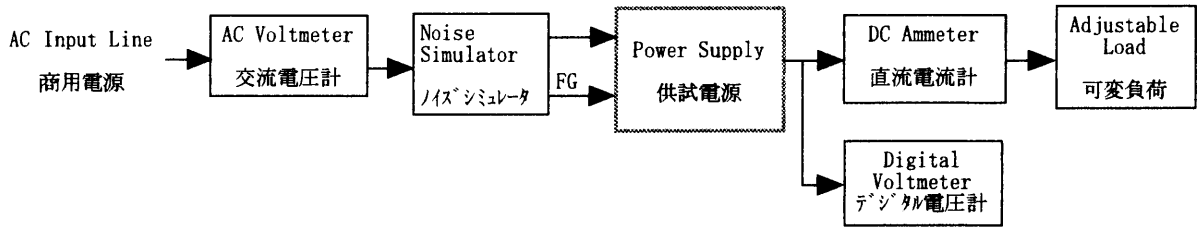


Figure C

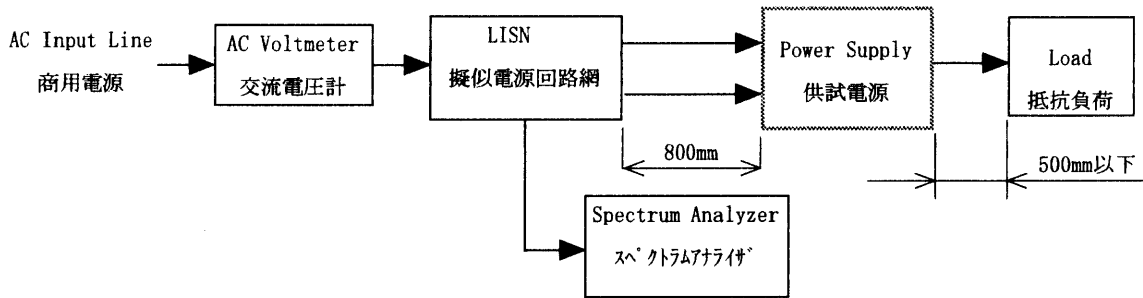


Figure D

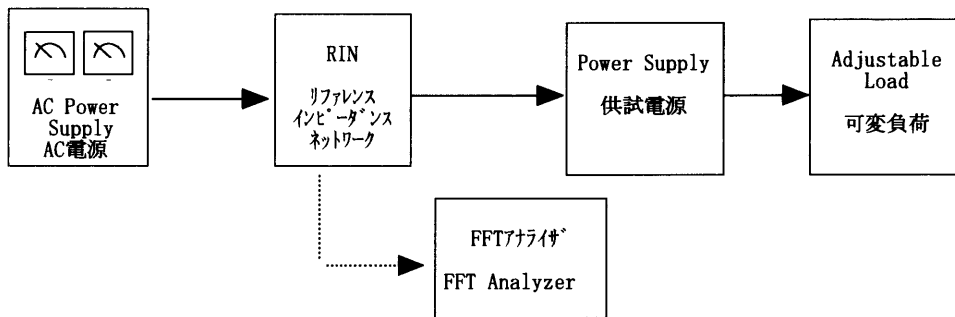


Figure E