



# TEST DATA OF JAC-50-□□□-U

## Noise Filter

Dec. 11 , 2019

Approved by : Tadayuki Noda Design Manager

Prepared by : Naoya Kunishima Design Engineer

**COSEL CO.,LTD.**

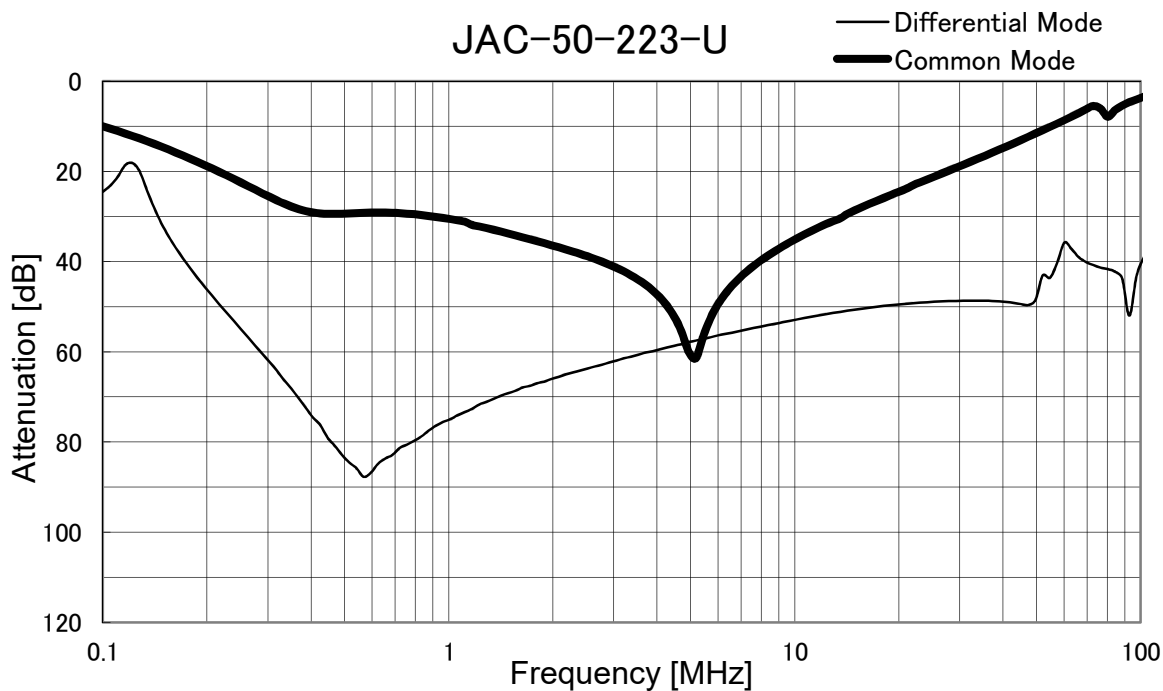
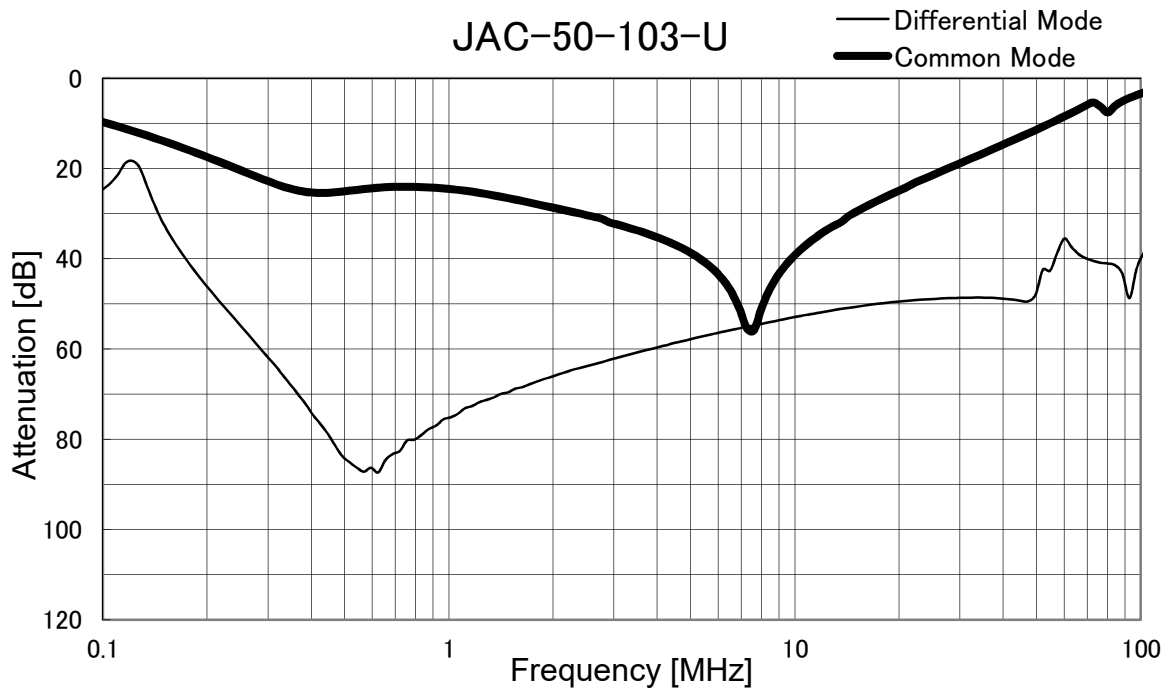
CONTENTS

1.Attenuation Characteristics . . . . .	1
2.Leakage Current . . . . .	4
3.Figure of Testing Circuitry . . . . .	5

(Final Page 6)

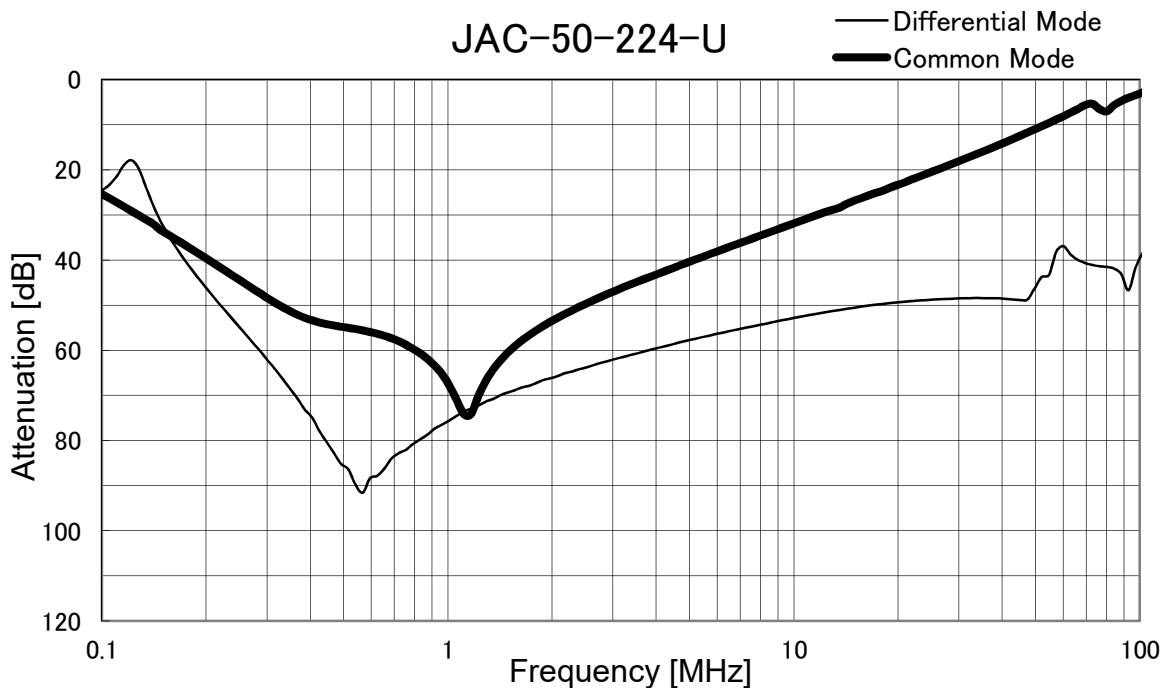
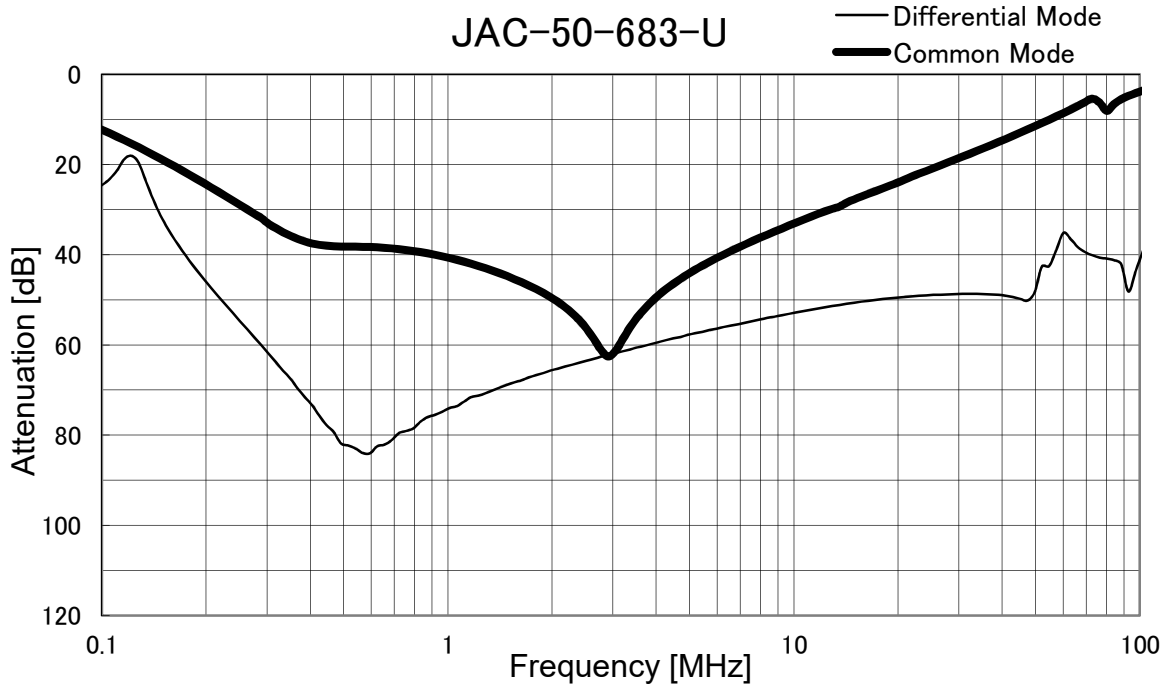


Model		JAC-50-□□□-U	Temperature 25°C Testing Circuitry Figure A
Item		Attenuation Characteristics	
Object		_____	



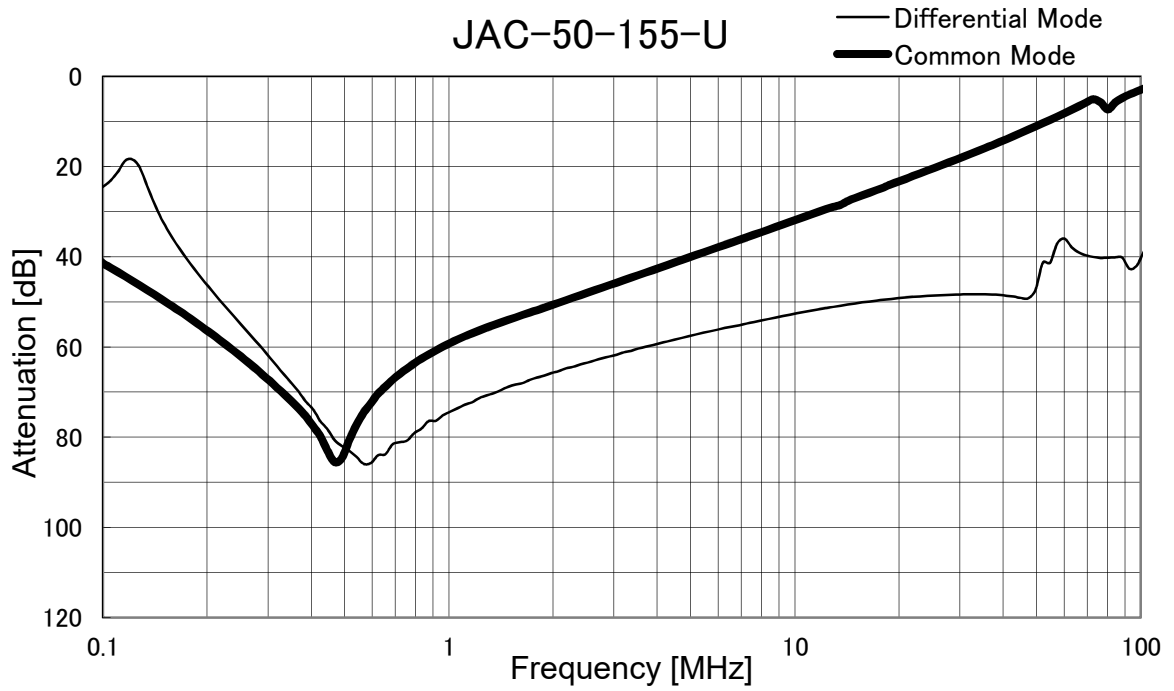


Model		JAC-50-□□□-U	Temperature 25°C Testing Circuitry Figure A
Item		Attenuation Characteristics	
Object		_____	





Model		JAC-50-□□□-U	Temperature 25°C Testing Circuitry Figure A
Item		Attenuation Characteristics	
Object		_____	





<b>COSEL</b>		Temperature 25°C Testing Circuitry Figure B
Model	JAC-50-□□□-U	
Item	Leakage Current	
Object	_____	

1.Results

[mA]

Model	Standards	Voltage system	Input Volt.					Note
			200[V]	250[V]	400[V]	480[V]	500[V]	
JAC-50-103-U	UL60939	Δ-connection	0.22	0.29	/	/	/	Rated voltage 250V(275Vmax)
		Y-connection	0.003	0.003	/	/	/	Rated voltage 250V(275Vmax)
JAC-50-223-U	UL60939	Δ-connection	0.46	0.58	/	/	/	Rated voltage 250V(275Vmax)
		Y-connection	0.001	0.002	/	/	/	Rated voltage 250V(275Vmax)
JAC-50-683-U	UL60939	Δ-connection	1.40	1.75	/	/	/	Rated voltage 250V(275Vmax)
		Y-connection	0.005	0.005	/	/	/	Rated voltage 250V(275Vmax)
JAC-50-224-U	UL60939	Δ-connection	8.20	10.0	/	/	/	Rated voltage 250V(275Vmax)
		Y-connection	0.04	0.05	/	/	/	Rated voltage 250V(275Vmax)
JAC-50-155-U	UL60939	Δ-connection	39.0	49.0	/	/	/	Rated voltage 250V(275Vmax)
		Y-connection	0.22	0.27	/	/	/	Rated voltage 250V(275Vmax)

2.Condition

Leakage current value is concluded after measuring both phases of AC input and by choosing the larger one.

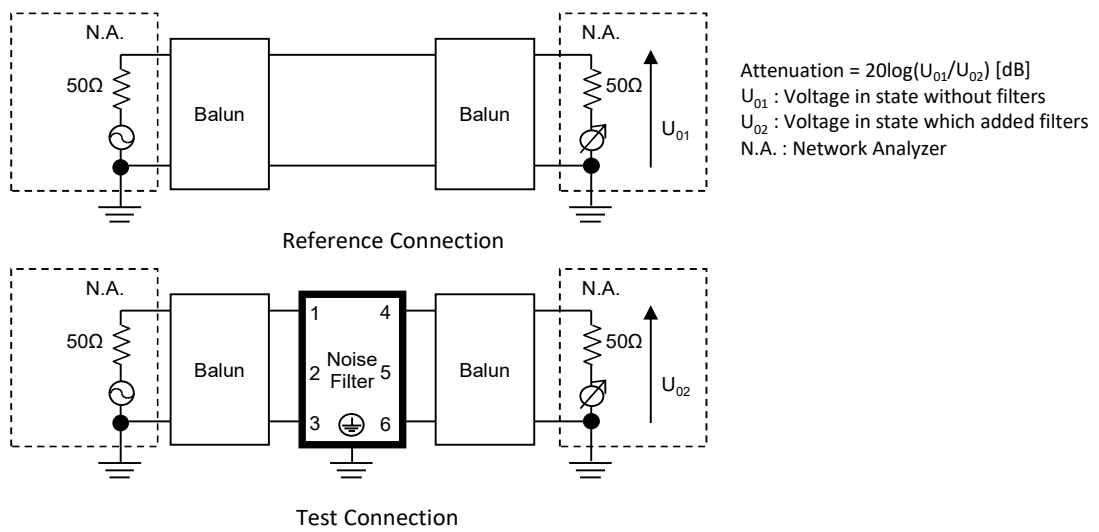


Figure A - 1 Differential mode attenuation measurement

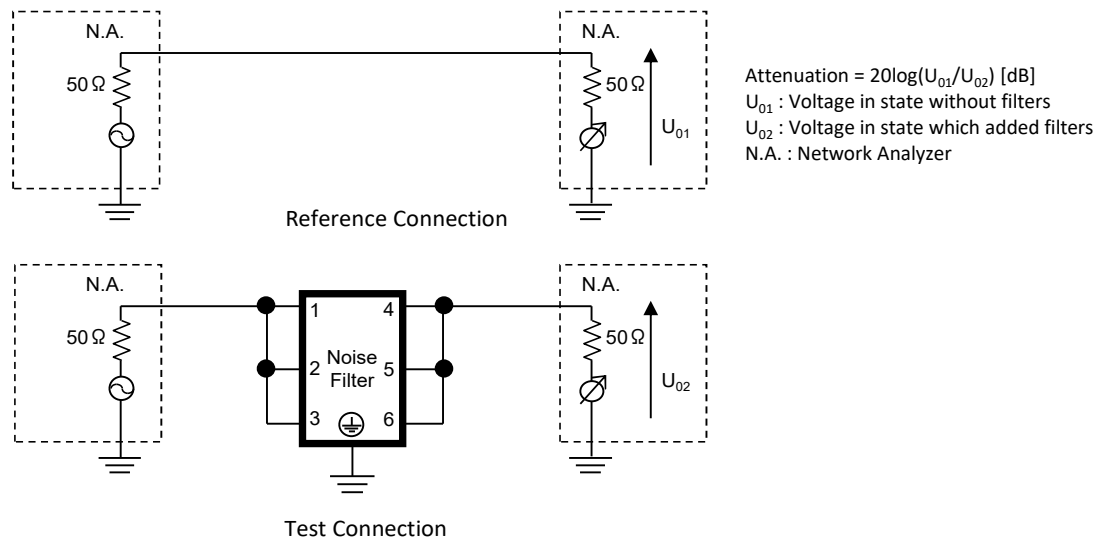


Figure A - 2 Common mode attenuation measurement

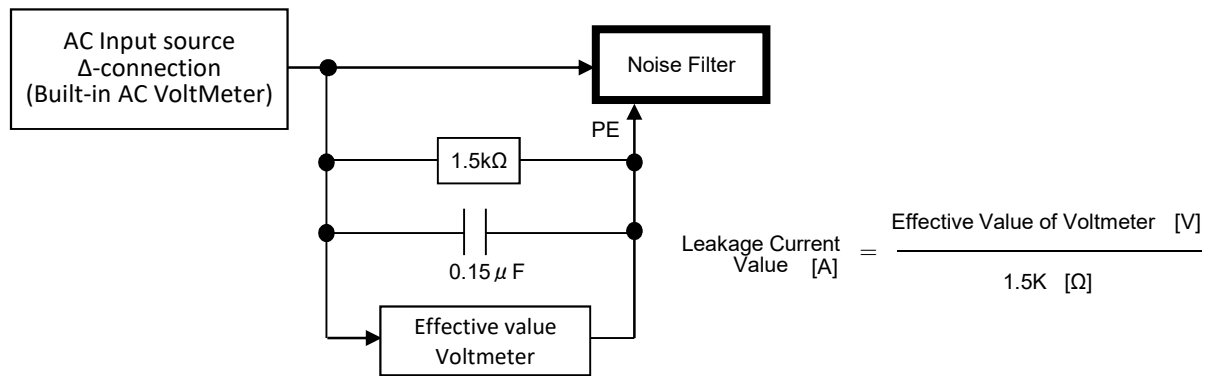


Figure B - 1 Leakage current measurement ( UL60939 Δ-connection)

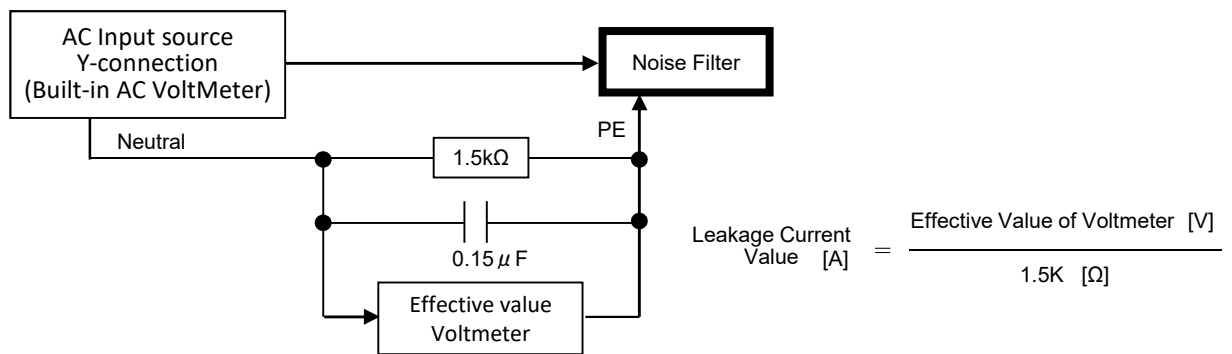


Figure B - 2 Leakage current measurement ( UL60939 Y-connection)