

Temperature increase of main components: 主要部品温度上昇

Model : GMA300F (Forced air)

1. Conditions

- (1) Input : AC 85 ~ 264 [V]
- (2) Output : Rated output
- (3) Mounting method : Shown as Fig.1.1

2. Result

No.	Parts name	Symbol No.	Increase (ΔT)				Rated temp. [°C]	Reference
			[deg]					
			12V	24V	48V	56V		
1	Line filter	L101	49	39	47	43	120	
2	Rectifier (Input)	SS101	66	63	63	60	150	Junction Temp.
3	Transistor (PFC)	TR101	57	47	45	45	150	Junction Temp.
4	Rectified diode (PFC)	D111	57	56	55	51	150	Junction Temp.
5	Input capacitor	C114	14	14	18	17	105	
6	Switching transistor	TR201	44	42	40	40	150	Junction Temp.
7	Transformer	T201	77	68	72	71	155	
8	Rectified transistor (Output)	TR502	63	41	49	40	150	Junction Temp.
9	Output Capacitor	C515	18	17	21	14	125	
10	Transformer	T301	36	31	30	28	155	
11								
12								
13								
14								
15								
16								
17								
18								
19								
20								

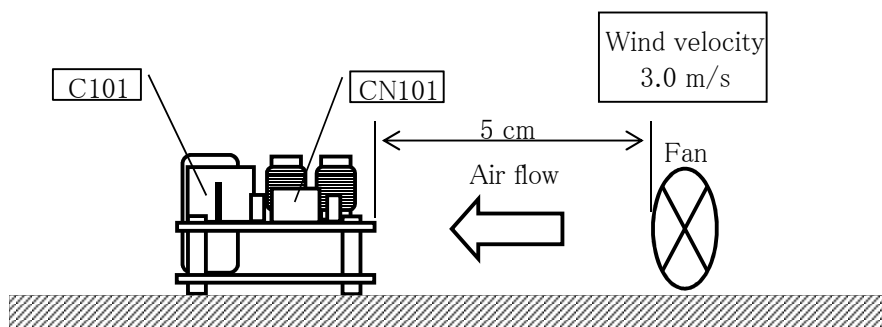


Fig.1.1 Mounting method

*All information presented herein are not guaranteed.
 *本資料は参考資料であり、その内容を保証するものではありません。