

TEST DATA OF FTA-150-□□□

Noise Filter

June. 21. 2011

Approved by : Toshio Watanabe
Toshio Watanabe Design Manager

Prepared by : Yuichi Uozu
Yuichi Uozu Design Engineer

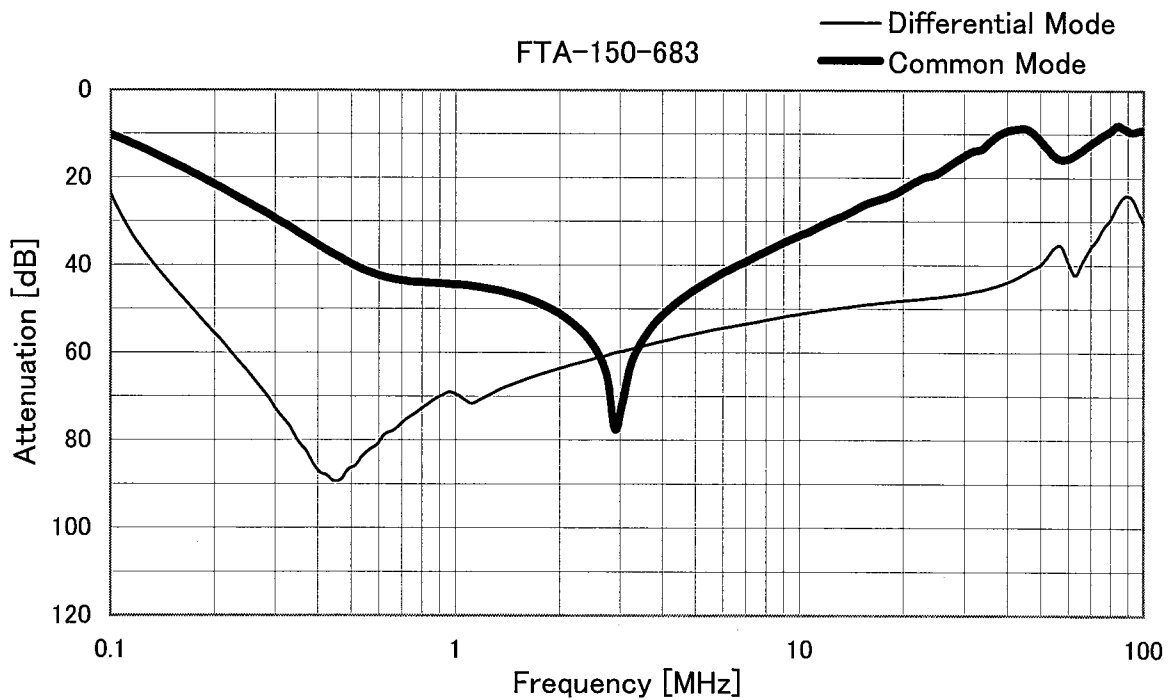
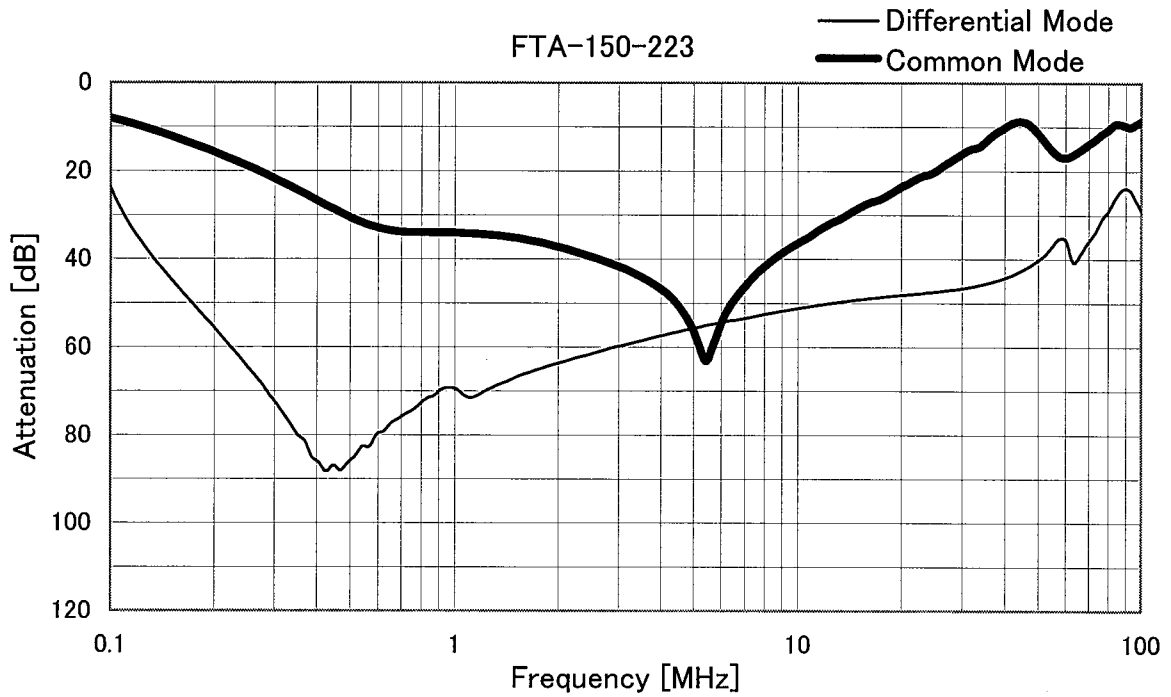
COSEL CO.,LTD.

CONTENTS

1.Attenuation Characteristics 1
2.Leakage Current 3
3.Figure of Testing Circuitry 4
(Final Page 4)

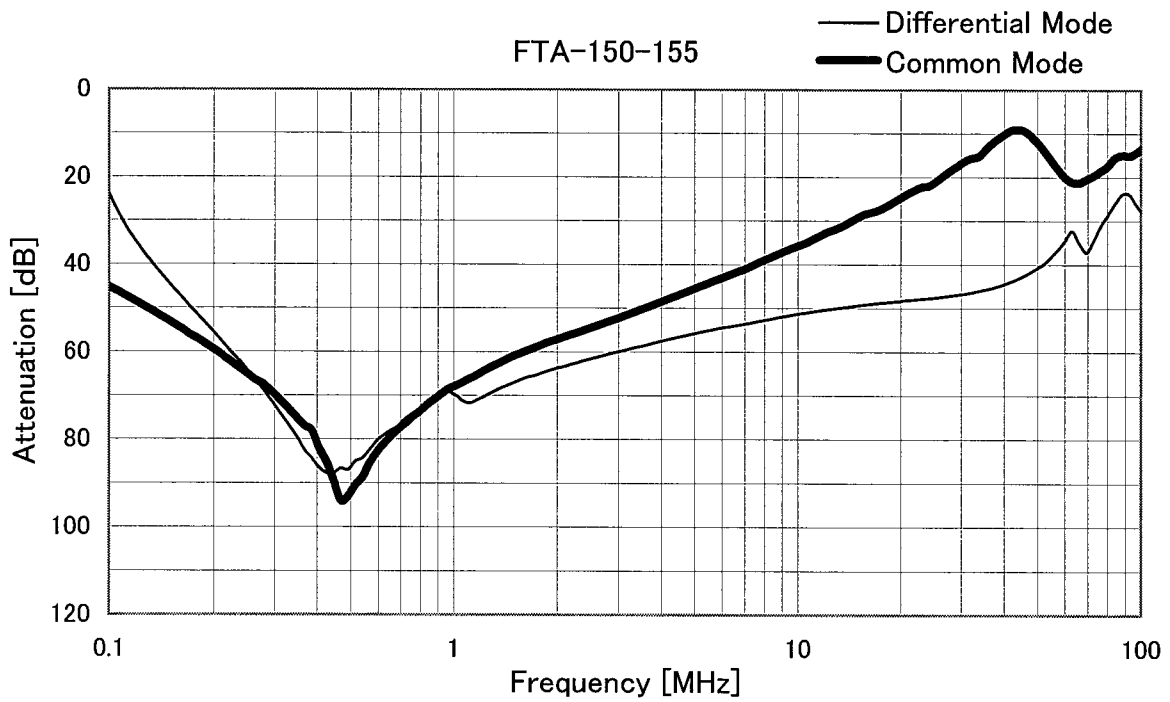
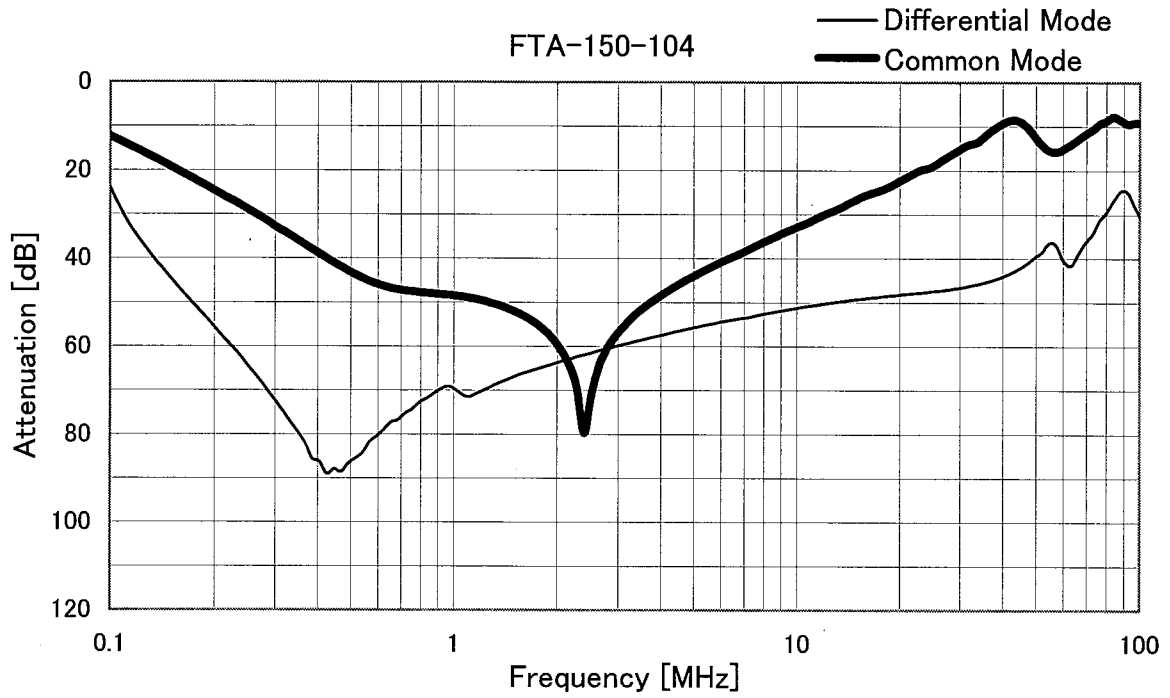


Model	FTA-150-□□□	
Item	Attenuation Characteristics	Temperature 25°C Testing Circuitry Figure A
Object	_____	





Model	FTA-150-□□□	
Item	Attenuation Characteristics	Temperature 25°C Testing Circuitry Figure A
Object	_____	





		Temperature 25°C Testing Circuitry Figure B
Model	FTA-150-□□□	
Item	Leakage Current	
Object	_____	

1.Results

[mA]

Model	Standards	Input Volt.					Note
		200 [V]	250 [V]	400 [V]	480 [V]	500 [V]	
FTA-150-223	UL1283	0.41	0.52	0.85	1.0	1.1	
FTA-150-683	UL1283	1.2	1.6	2.6	3.2	3.3	
FTA-150-104	UL1283	1.9	2.4	4.0	4.8	4.9	
FTA-150-155	UL1283	56.0	70.0	112.0	/	/	Δ-connection's rated voltage is 400V(440Vmax)

2.Condition

Leakage current value is concluded after measuring both phases of AC input and by choosing the larger one.

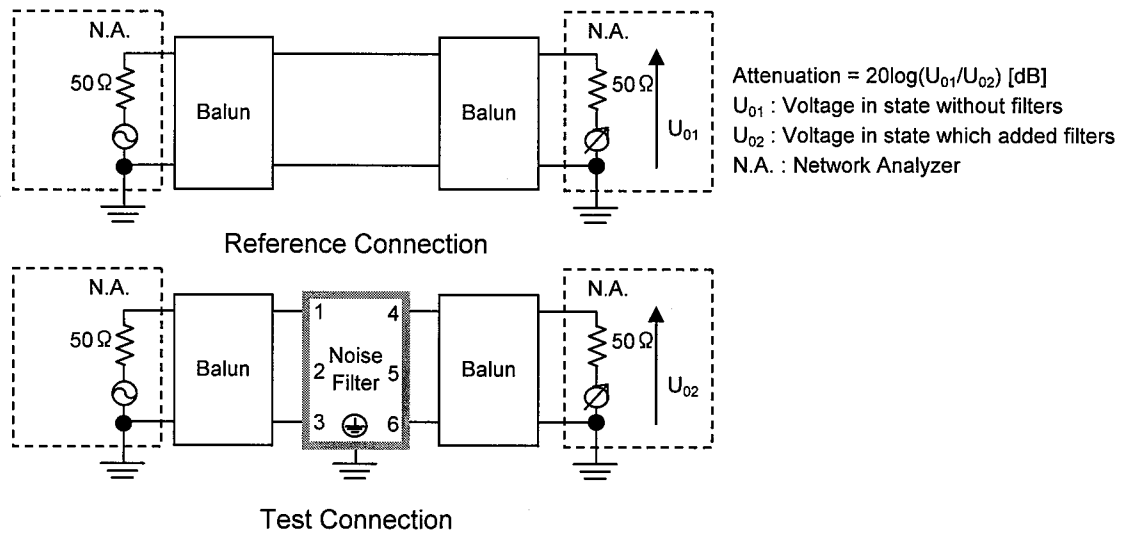


Figure A - 1 Differential mode attenuation measurement

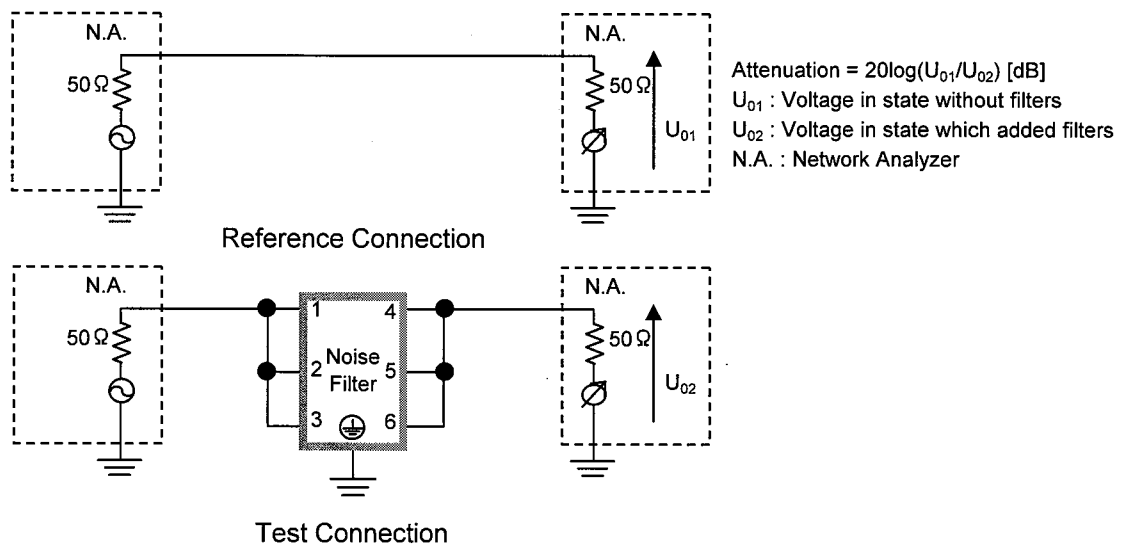


Figure A - 2 Common mode attenuation measurement

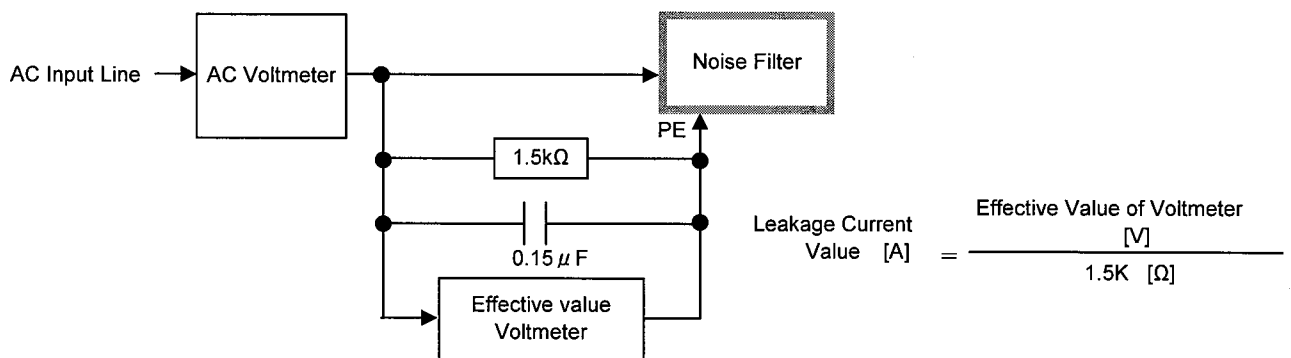


Figure B Leakage current measurement (UL1283)