

TEST DATA OF FSB-80-□□□-U**Noise Filter**

Dec. 01 , 2017

Approved by : Tadayuki Noda
Tadayuki Noda Design Manager

Prepared by : Kenji Kamoi
Kenji Kamoi Design Engineer

COSEL CO.,LTD.

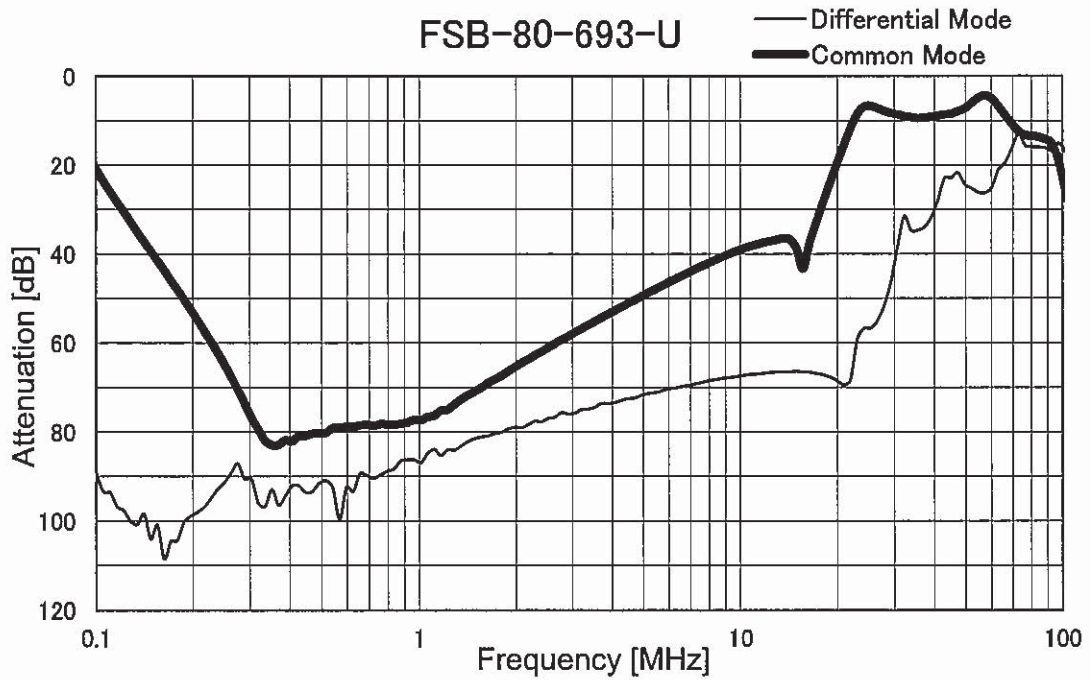
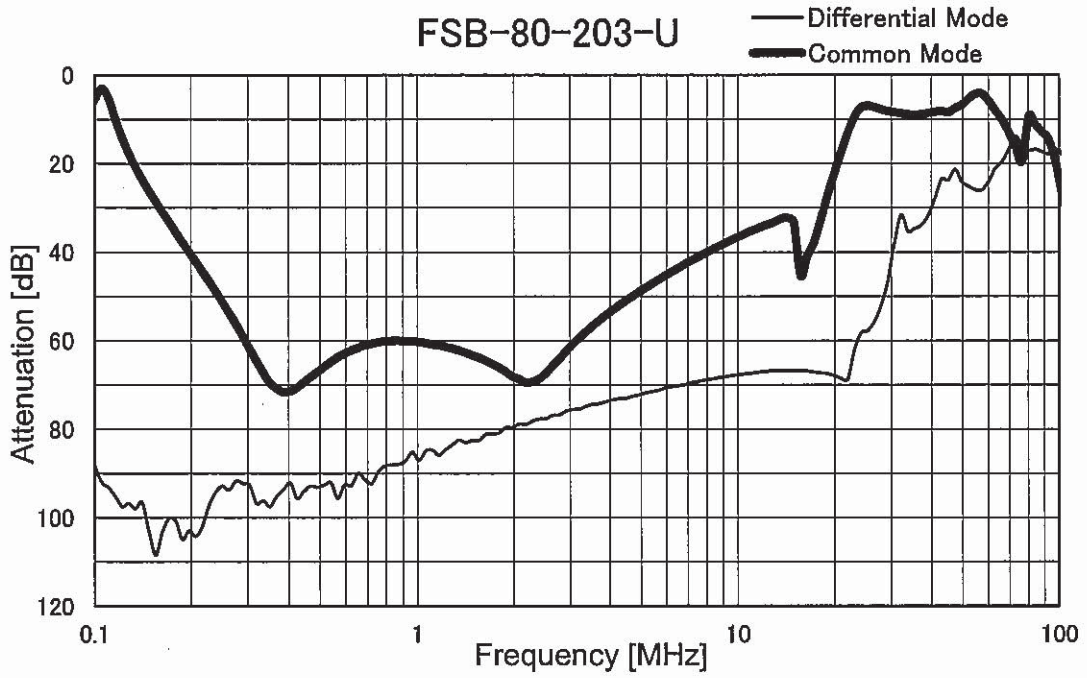
CONTENTS

1.Attenuation Characteristics	1
2.Leakage Current	4
3.Figure of Testing Circuitry	5

(Final Page 6)

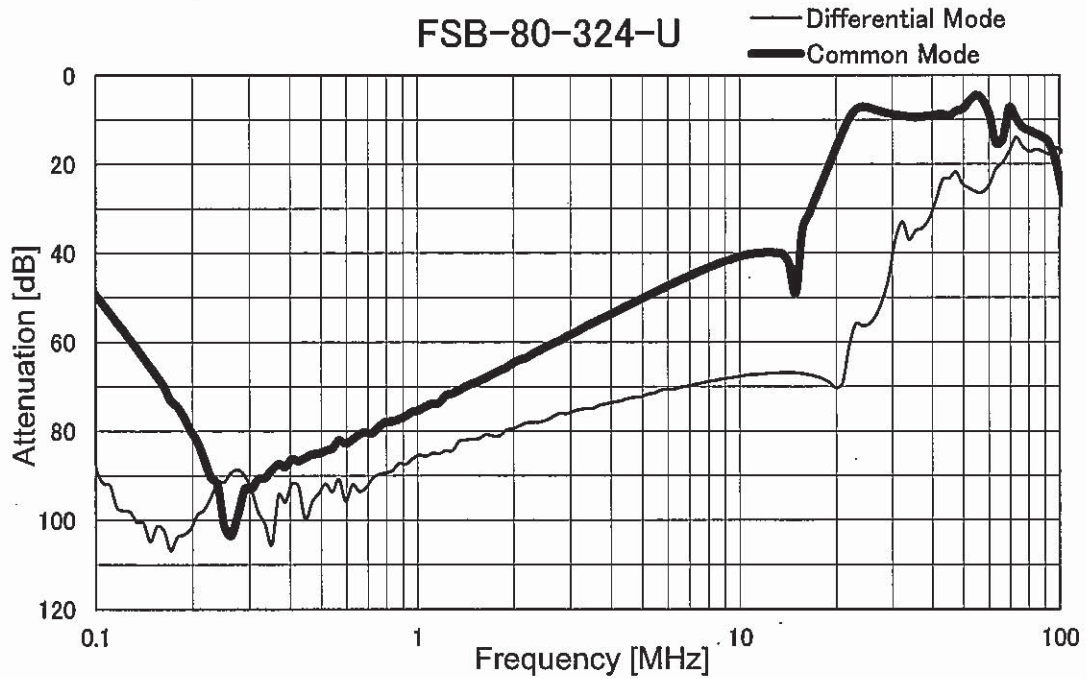
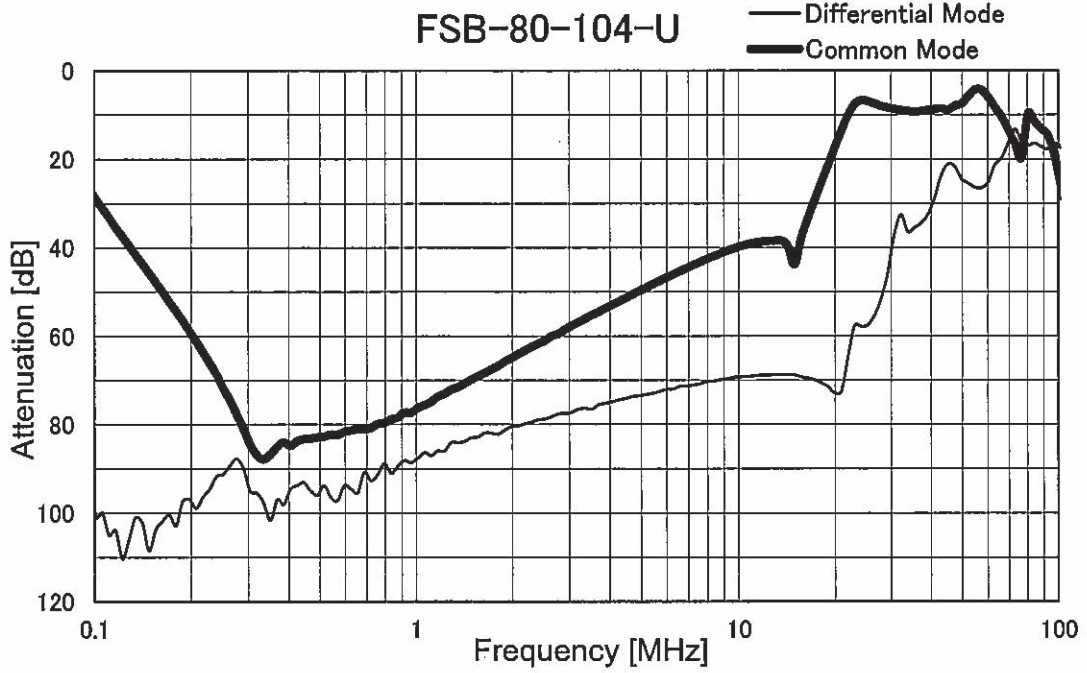


Model		FSB-80-□□□-U	Temperature 25°C Testing Circuitry Figure A
Item		Attenuation Characteristics	
Object		_____	



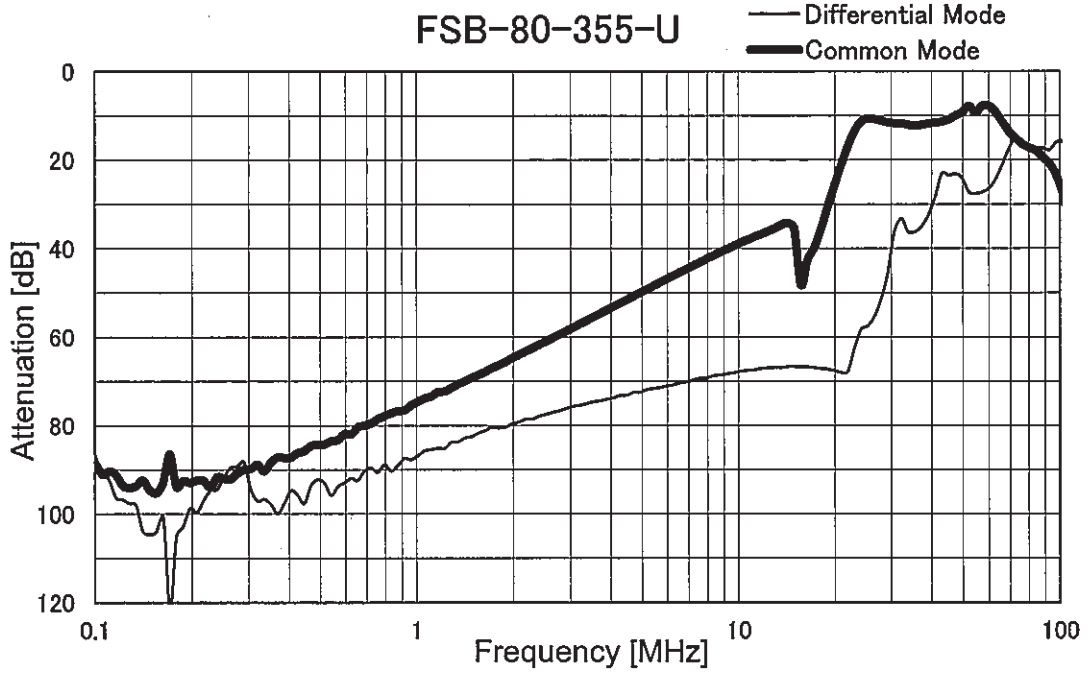


COSEL			
Model	FSB-80-□□□-U	Temperature	25°C
Item	Attenuation Characteristics	Testing Circuitry	Figure A
Object	_____		





Model		FSB-80-□□□-U	Temperature	25°C
Item		Attenuation Characteristics	Testing Circuitry	Figure A
Object		_____		





COSEL		Temperature 25°C Testing Circuitry Figure B
Model	FSB-80-□□□-U	
Item	Leakage Current	
Object	_____	

1.Results

[mA]

Model	Standards	Voltage system	Input Volt.					Note
			200[V]	250[V]	400[V]	480[V]	500[V]	
FSB-80-203-U	UL1283	Δ-connection	0.44	0.55	/	/	/	Δ-connection's rated voltage is 250V(275Vmax)
		Wye-connection	0.003	0.003	/	/	/	Δ-connection's rated voltage is 250V(275Vmax)
FSB-80-693-U	UL1283	Δ-connection	1.50	1.80	/	/	/	Δ-connection's rated voltage is 250V(275Vmax)
		Wye-connection	0.008	0.008	/	/	/	Δ-connection's rated voltage is 250V(275Vmax)
FSB-80-104-U	UL1283	Δ-connection	2.10	2.60	/	/	/	Δ-connection's rated voltage is 250V(275Vmax)
		Wye-connection	0.005	0.006	/	/	/	Δ-connection's rated voltage is 250V(275Vmax)
FSB-80-324-U	UL1283	Δ-connection	7.00	8.50	/	/	/	Δ-connection's rated voltage is 250V(275Vmax)
		Wye-connection	0.025	0.028	/	/	/	Δ-connection's rated voltage is 250V(275Vmax)
FSB-80-355-U	UL1283	Δ-connection	72.0	88.0	/	/	/	Δ-connection's rated voltage is 250V(275Vmax)
		Wye-connection	0.22	0.28	/	/	/	Δ-connection's rated voltage is 250V(275Vmax)

2.Condition

Leakage current value is concluded after measuring both phases of AC input and by choosing the larger one.

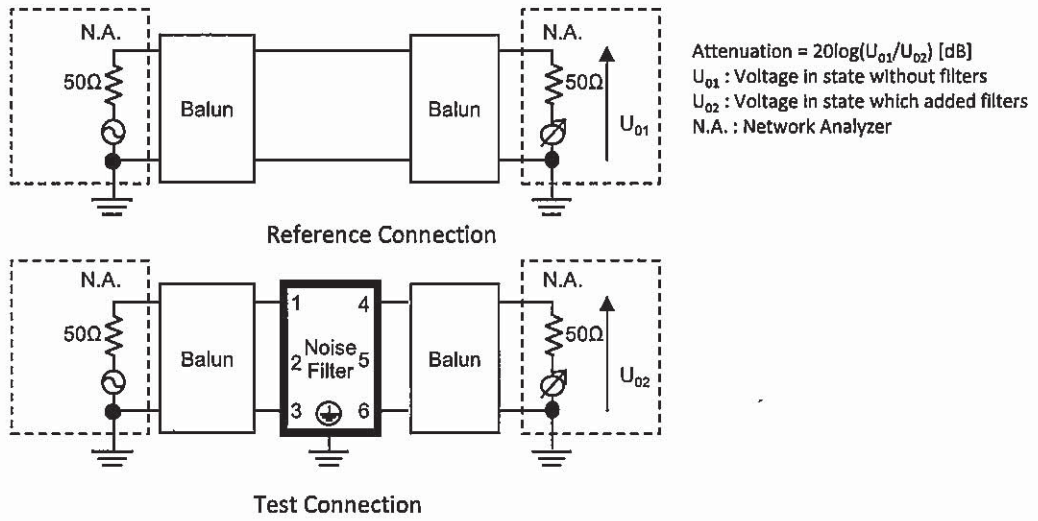


Figure A - 1 Differential mode attenuation measurement

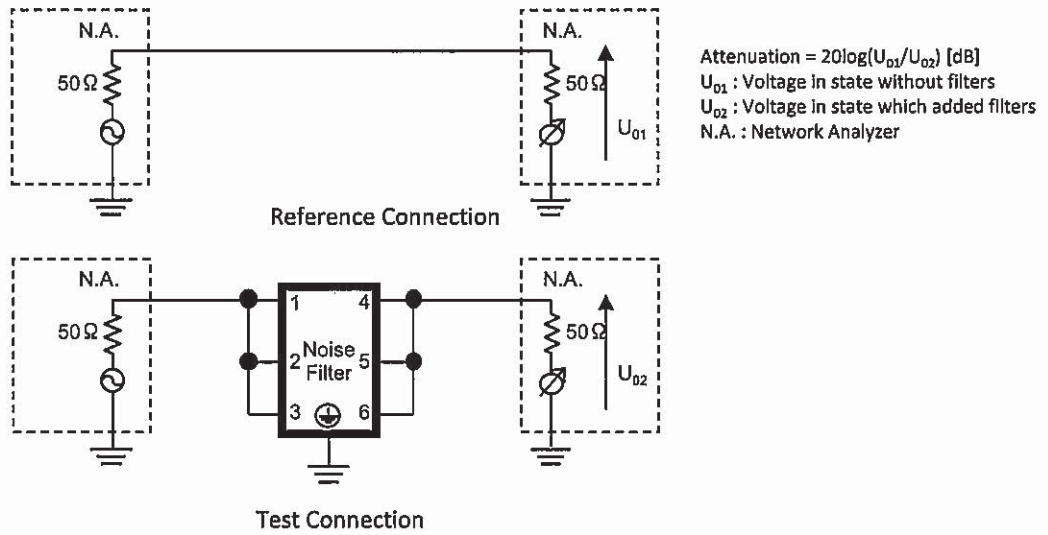


Figure A - 2 Common mode attenuation measurement

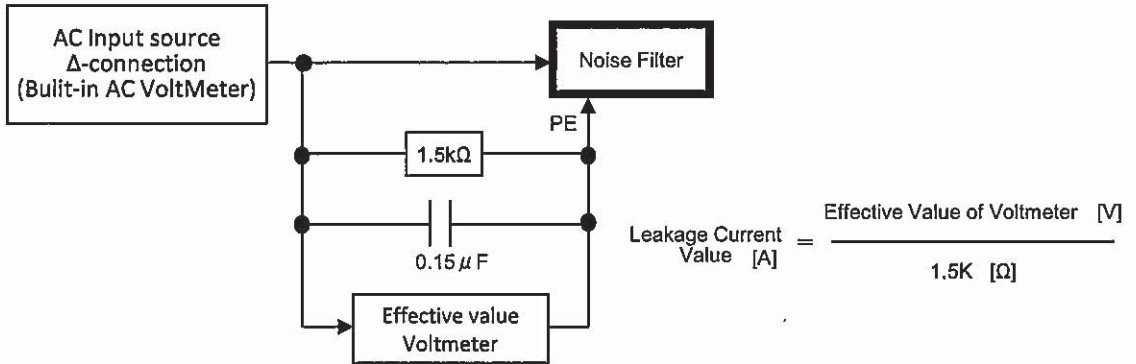


Figure B - 1 Leakage current measurement (UL1283 Δ-connection)

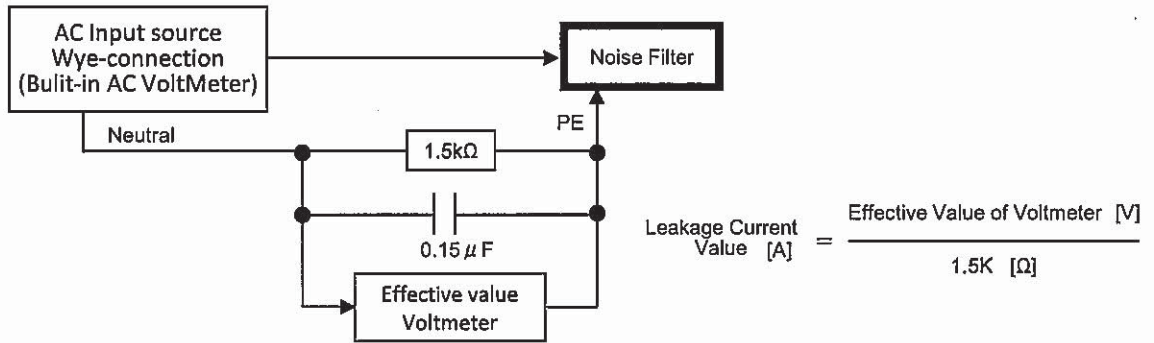


Figure B - 2 Leakage current measurement (UL1283 Wye-connection)