



TEST DATA OF FSB-50-□□□-HU

Noise Filter

Nov. 06 , 2017

Approved by : Tadayuki Noda Design Manager

Prepared by : Kenji Kamoi Design Engineer

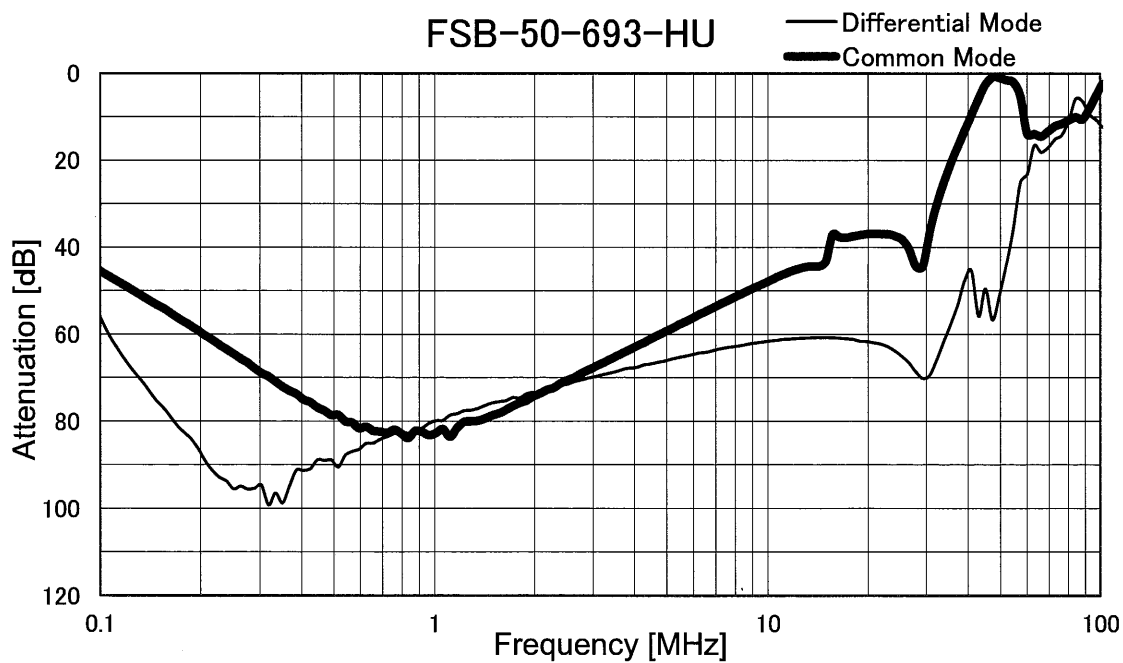
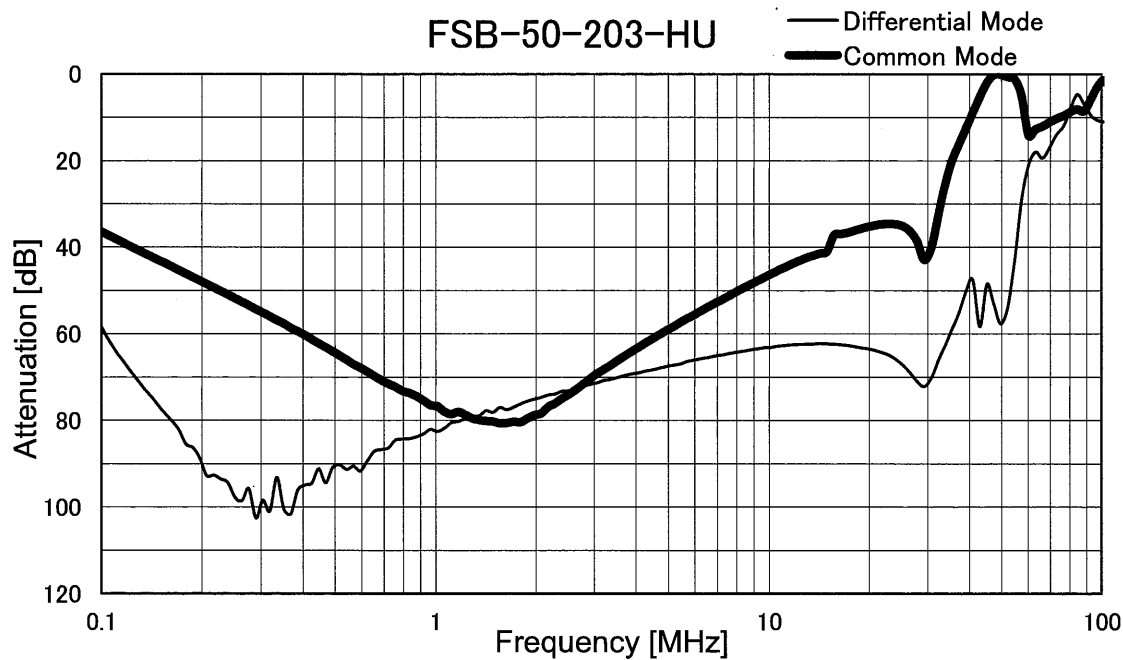
COSEL CO.,LTD.

CONTENTS

1.Attenuation Characteristics 1
2.Leakage Current 3
3.Figure of Testing Circuitry 4
(Final Page 5)

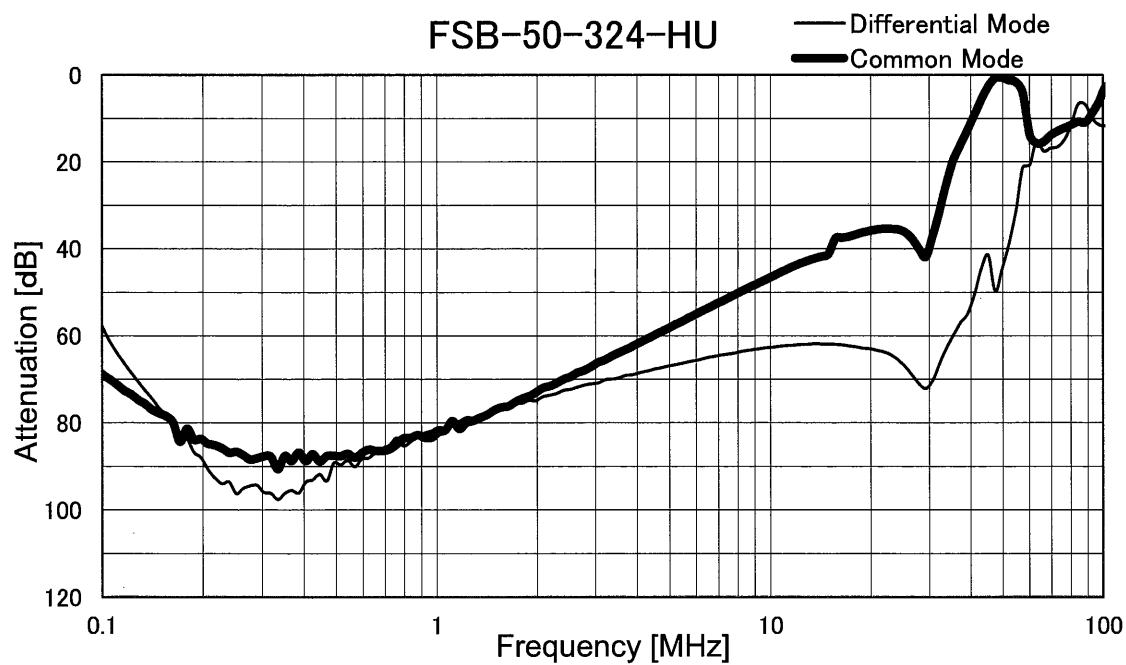
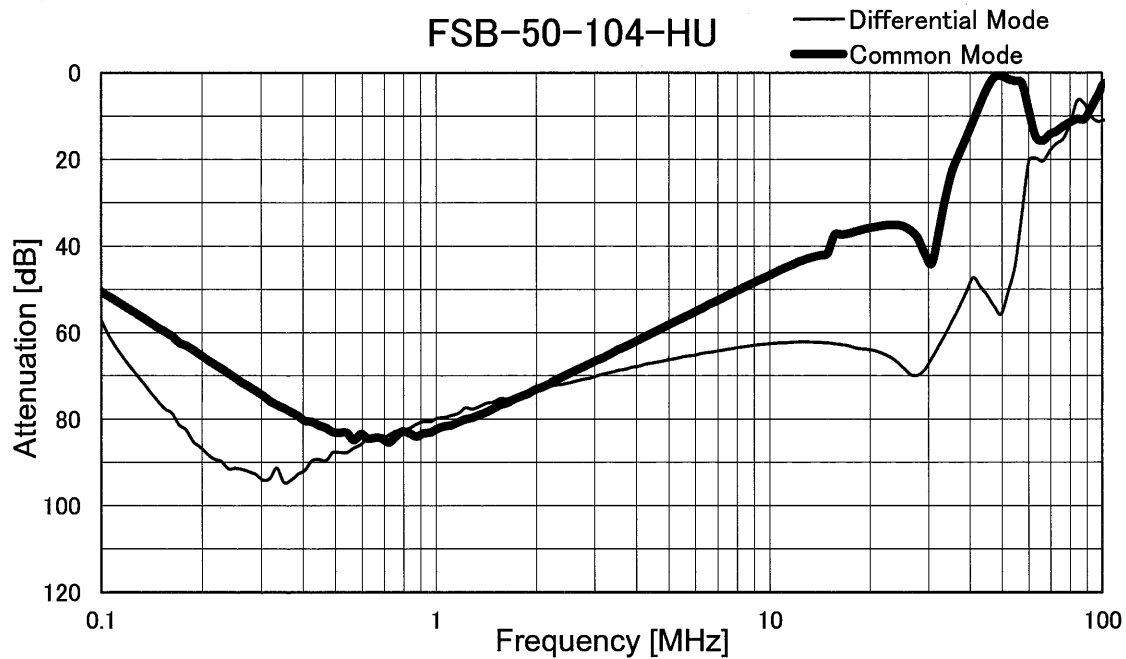


Model		FSB-50-□□□-HU	
Item		Temperature	25°C
Object		Testing Circuitry	Figure A





Model	FSB-50-□□□-HU	
Item	Attenuation Characteristics	Temperature 25°C Testing Circuitry Figure A
Object	_____	





COSEL		Temperature 25°C Testing Circuitry Figure B
Model	FSB-50-□□□-HU	
Item	Leakage Current	
Object	_____	

1.Results

[mA]

Model	Standards	Voltage system	Input Volt.					Note
			200[V]	250[V]	400[V]	480[V]	500[V]	
FSB-50-203-HU	UL1283	Δ-connection	0.42	0.54	/	/	/	Δ-connection's rated voltage is 250V(275Vmax)
		Wye-connection	0.003	0.004	/	/	/	Δ-connection's rated voltage is 250V(275Vmax)
FSB-50-693-HU	UL1283	Δ-connection	1.50	1.80	/	/	/	Δ-connection's rated voltage is 250V(275Vmax)
		Wye-connection	0.01	0.01	/	/	/	Δ-connection's rated voltage is 250V(275Vmax)
FSB-50-104-HU	UL1283	Δ-connection	2.10	2.60	/	/	/	Δ-connection's rated voltage is 250V(275Vmax)
		Wye-connection	0.02	0.02	/	/	/	Δ-connection's rated voltage is 250V(275Vmax)
FSB-50-324-HU	UL1283	Δ-connection	6.50	8.00	/	/	/	Δ-connection's rated voltage is 250V(275Vmax)
		Wye-connection	0.07	0.07	/	/	/	Δ-connection's rated voltage is 250V(275Vmax)

2.Condition

Leakage current value is concluded after measuring both phases of AC input and by choosing the larger one.

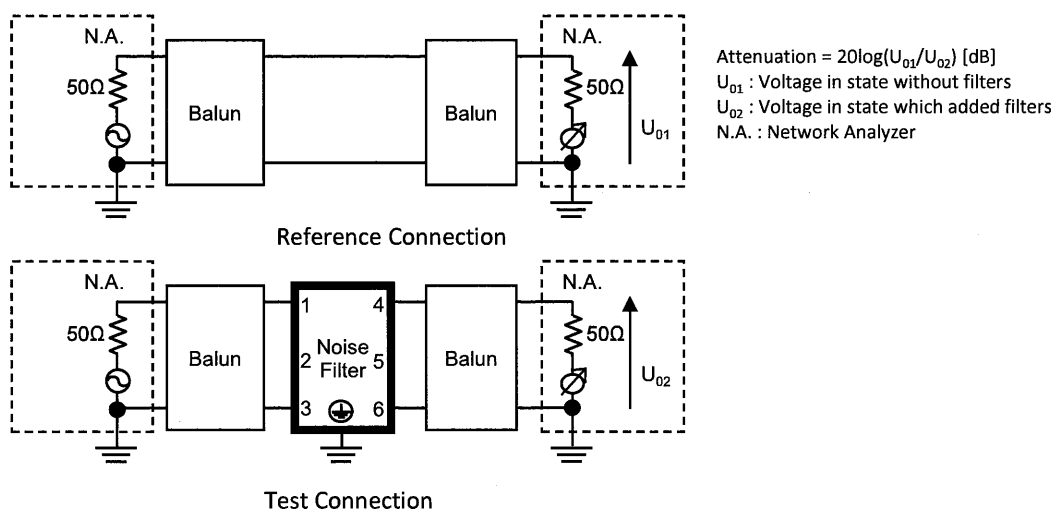


Figure A - 1 Differential mode attenuation measurement

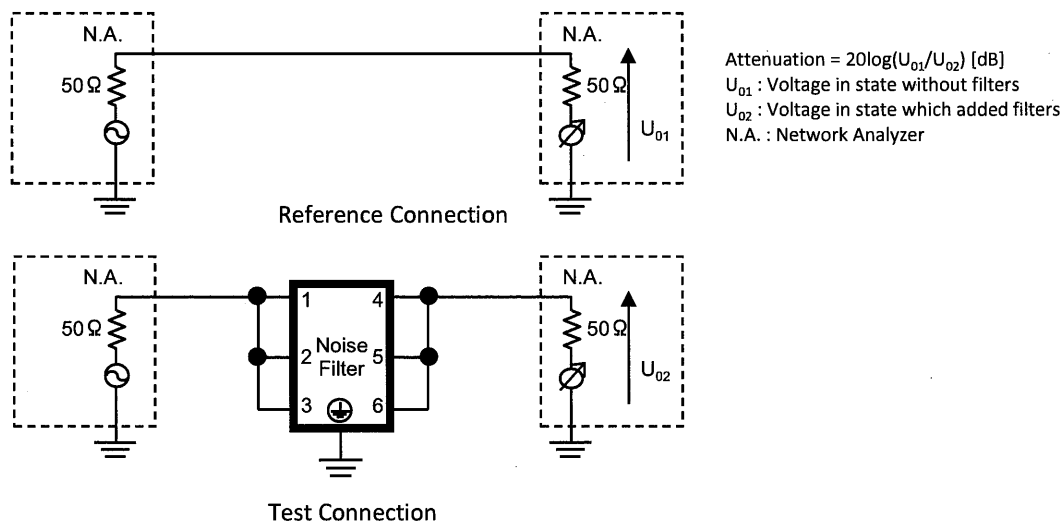


Figure A - 2 Common mode attenuation measurement

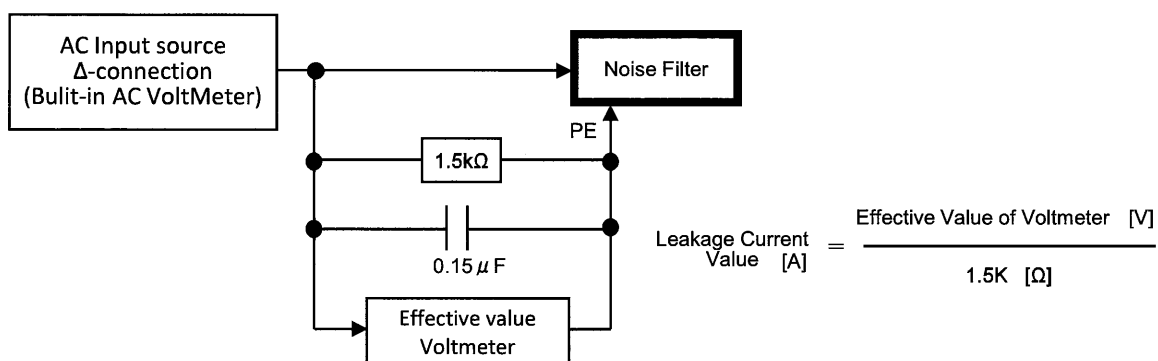


Figure B - 1 Leakage current measurement (UL1283 Δ-connection)

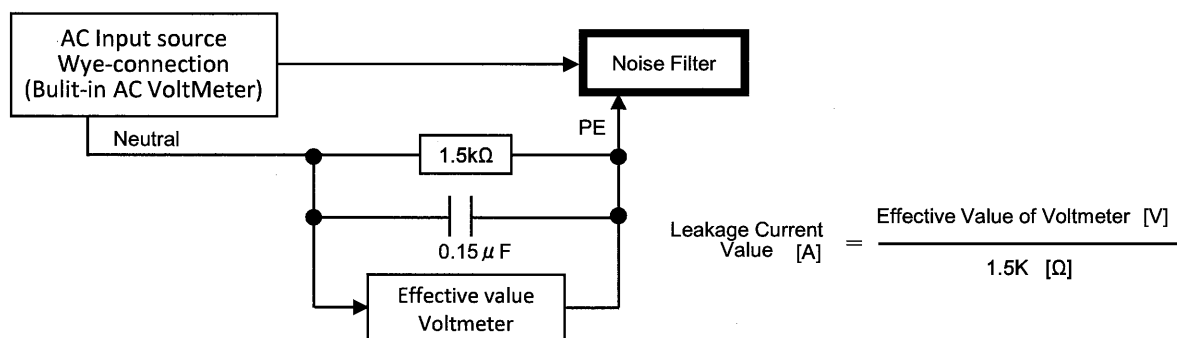


Figure B - 2 Leakage current measurement (UL1283 Wye-connection)