

TEST DATA OF EAM-03-□□□/ESM-03-□□□**Noise Filter**

Nov. 30. 2010

Approved by : Toshio Watanabe
Toshio Watanabe Design Manager

Prepared by : Tadayuki Noda
Tadayuki Noda Design Engineer

COSEL CO.,LTD.



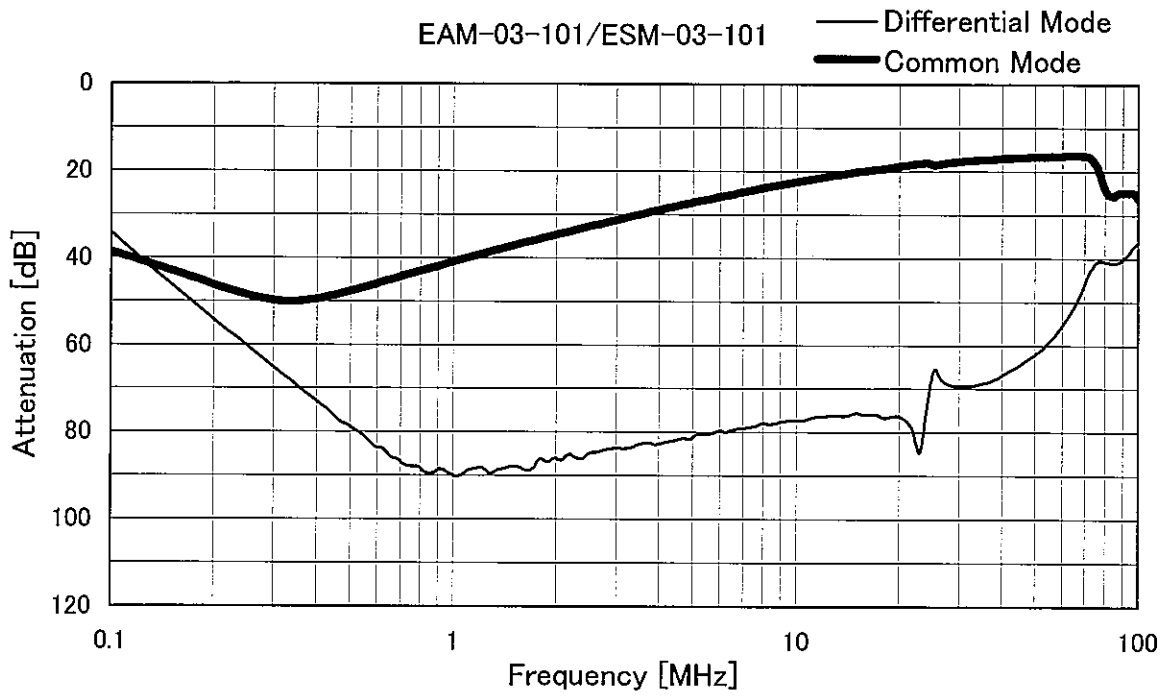
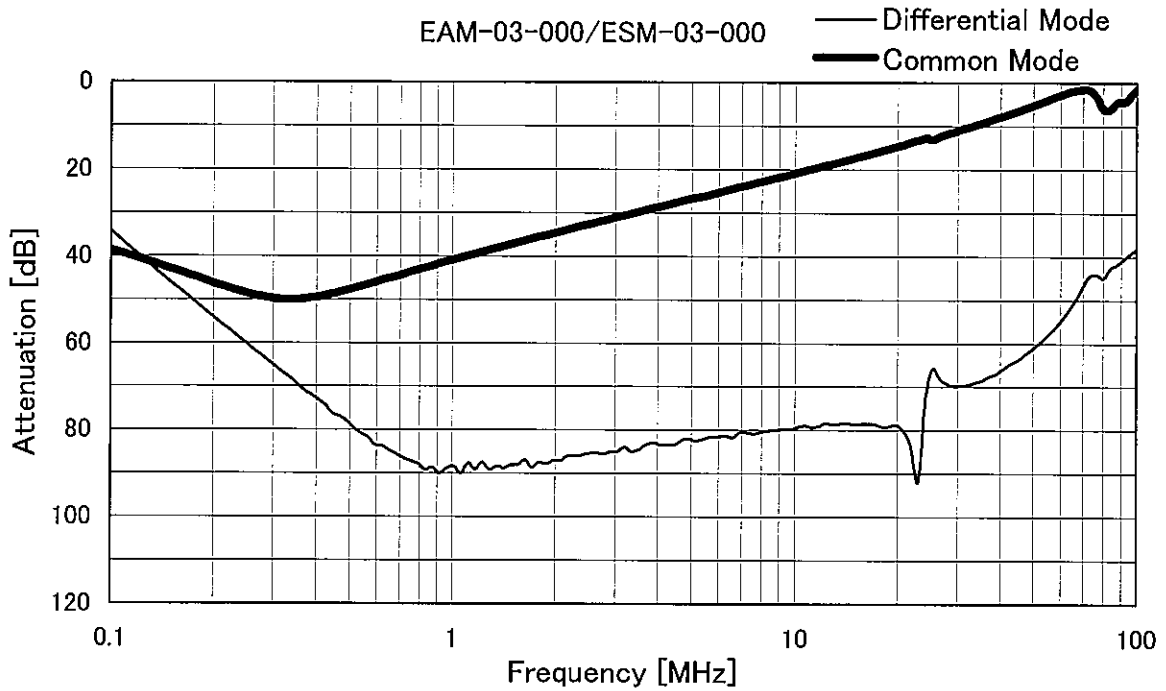
CONTENTS

1.Attenuation Characteristics 1
2.Pulse Attenuation Characteristics 4
3.Leakage Current 6
4.Figure of Testing Circuitry 7

(Final Page 8)

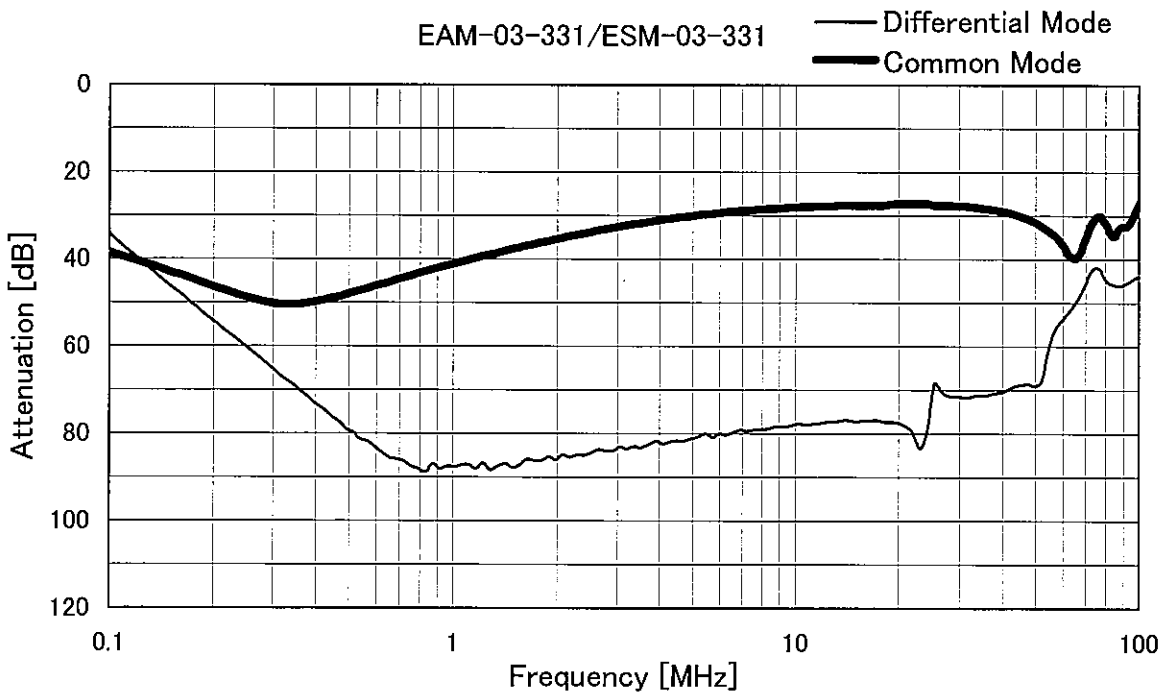
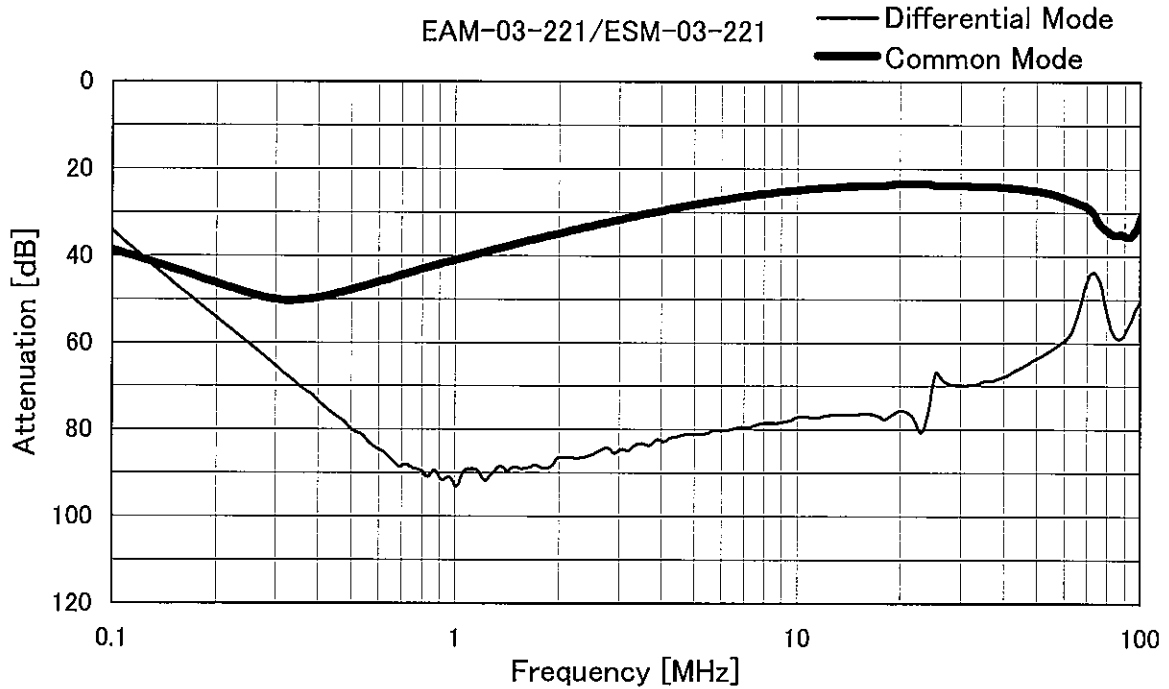


Model		EAM-03-□□□/ESM-03-□□□	Temperature 25°C Testing Circuitry Figure A
Item		Attenuation Characteristics	
Object		_____	



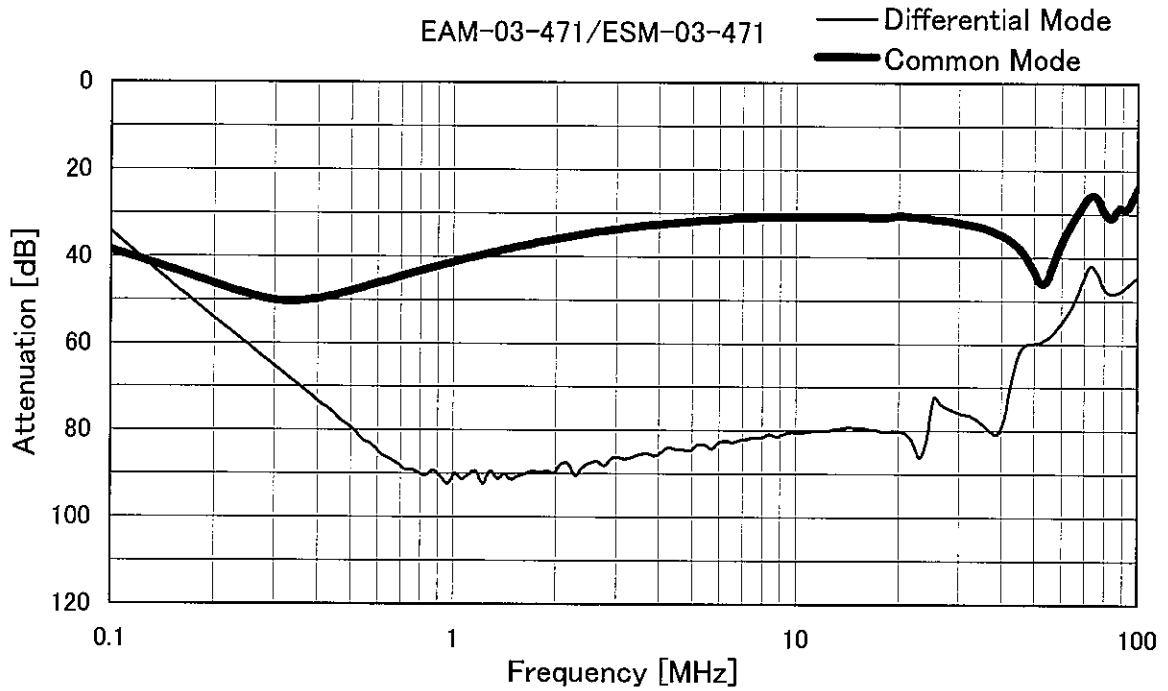


Model		EAM-03-□□□/ESM-03-□□□	Temperature 25°C Testing Circuitry Figure A
Item		Attenuation Characteristics	
Object		_____	



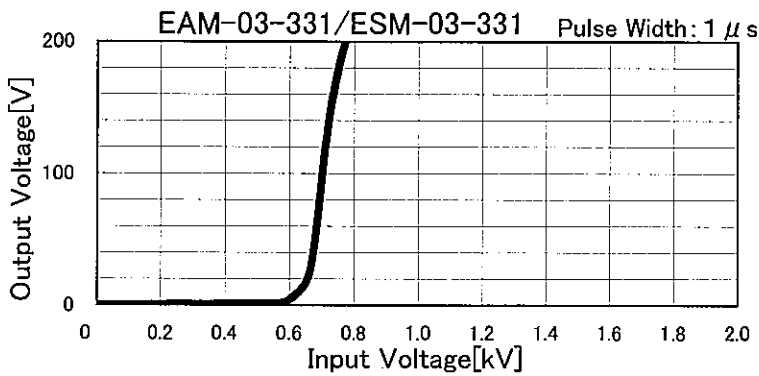
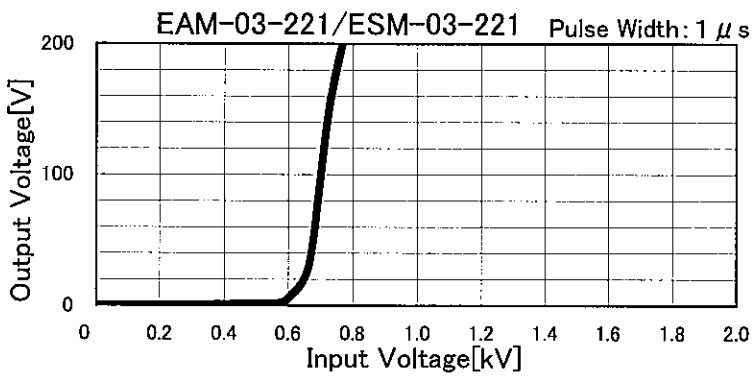
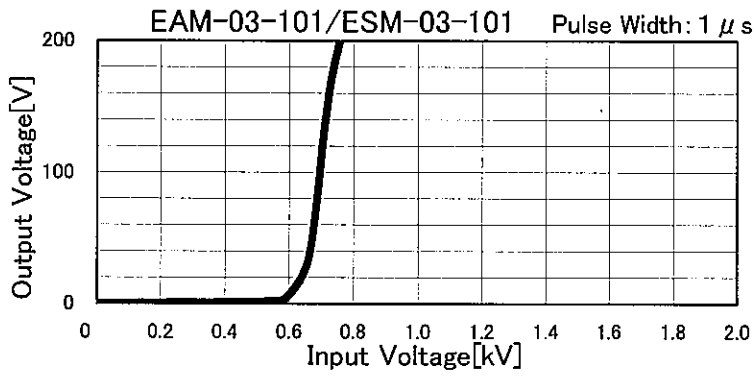
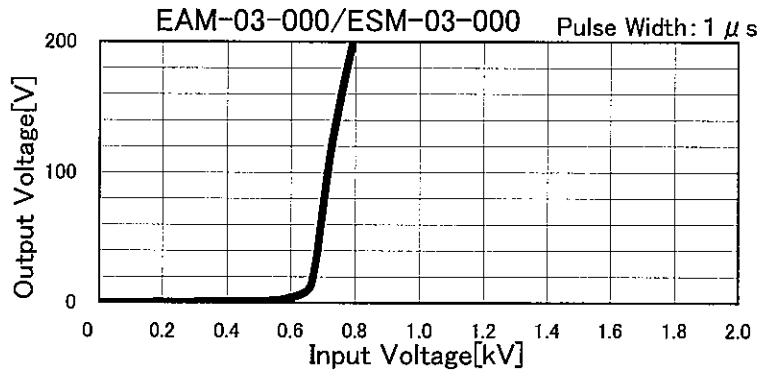


Model		EAM-03-□□□/ESM-03-□□□	Temperature 25°C Testing Circuitry Figure A
Item		Attenuation Characteristics	
Object		_____	



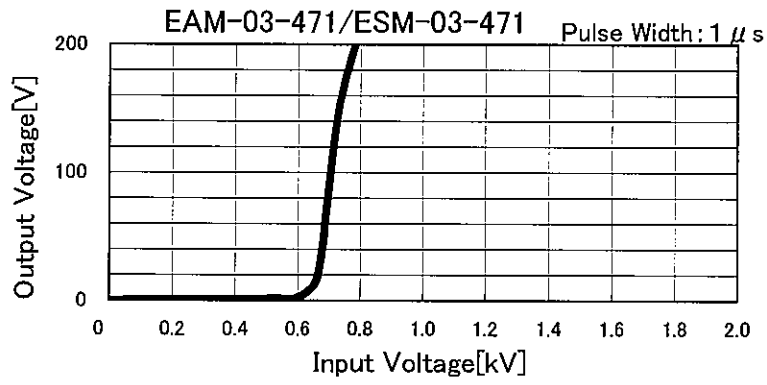


Model	EAM-03-□□□/ESM-03-□□□	Temperature	25°C
Item	Pulse Attenuation Characteristics	Testing Circuitry	Figure B
Object	_____		





COSEL		
Model	EAM-03-□□□/ESM-03-□□□	Temperature 25°C Testing Circuitry Figure B
Item	Pulse Attenuation Characteristics	
Object	_____	





COSEL		
Model	EAM-03-□□□/ESM-03-□□□	Temperature 25°C Testing Circuitry Figure C
Item	Leakage Current	
Object	_____	

1.Results

[mA]

Model	Standards	Input Volt.				Note
		100 [V]	125 [V]	230 [V]	250 [V]	
EAM-03-000 ESM-03-000	UL1283	0.002	0.002	0.004	0.005	
EAM-03-101 ESM-03-101	UL1283	0.006	0.007	0.013	0.015	
EAM-03-221 ESM-03-221	UL1283	0.011	0.013	0.025	0.028	
EAM-03-331 ESM-03-331	UL1283	0.015	0.019	0.038	0.042	
EAM-03-471 ESM-03-471	UL1283	0.023	0.030	0.061	0.069	

2.Condition

Leakage current value is concluded after measuring both phases of AC input and by choosing the larger one.

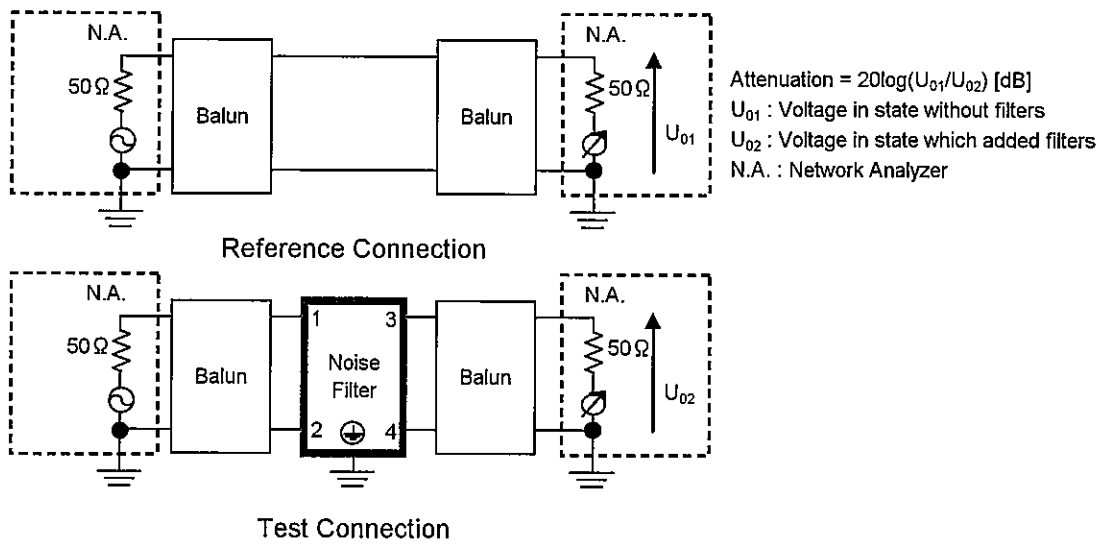


Figure A - 1 Differential mode attenuation measurement

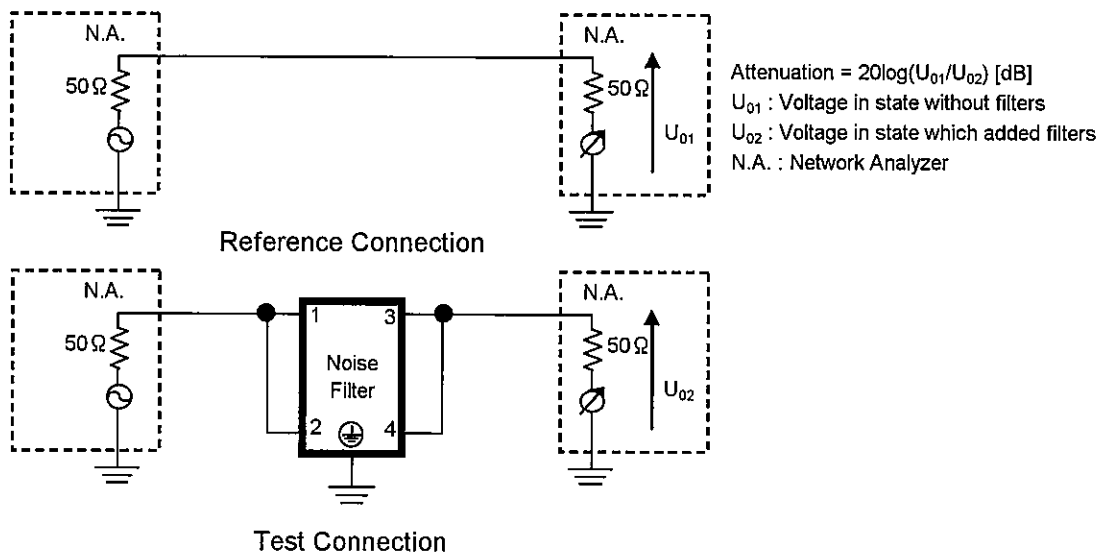
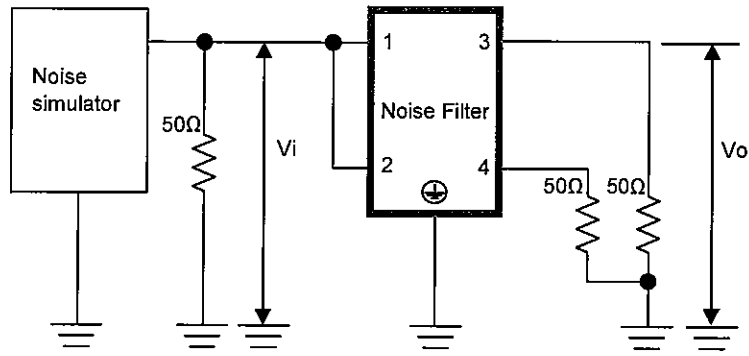


Figure A - 2 Common mode attenuation measurement



Pulse attenuation measurement

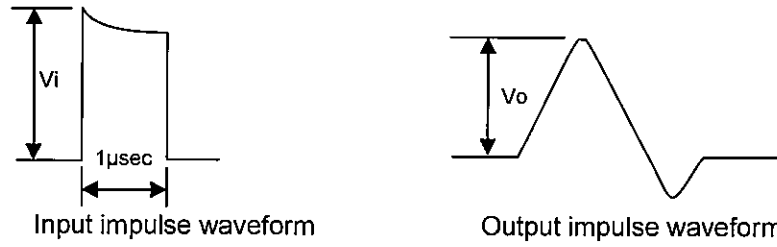


Figure B Pulse attenuation measurement

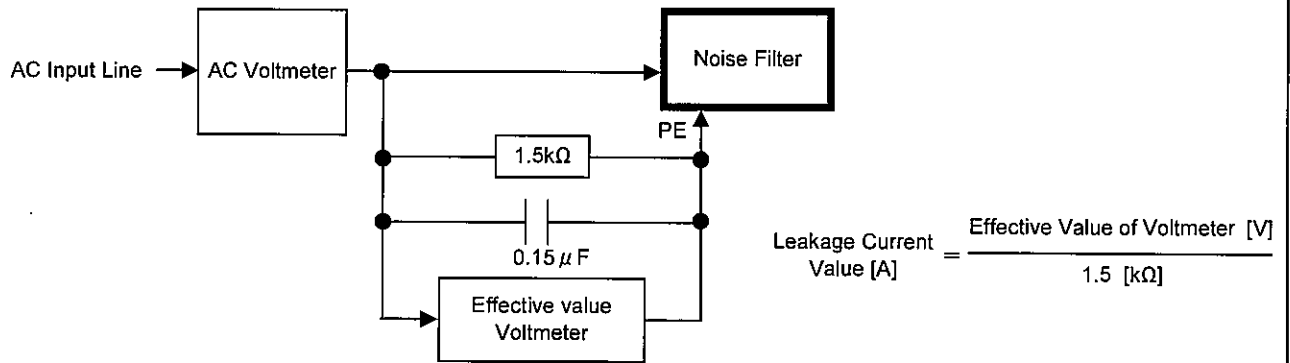


Figure C Leakage current measurement (UL1283)