

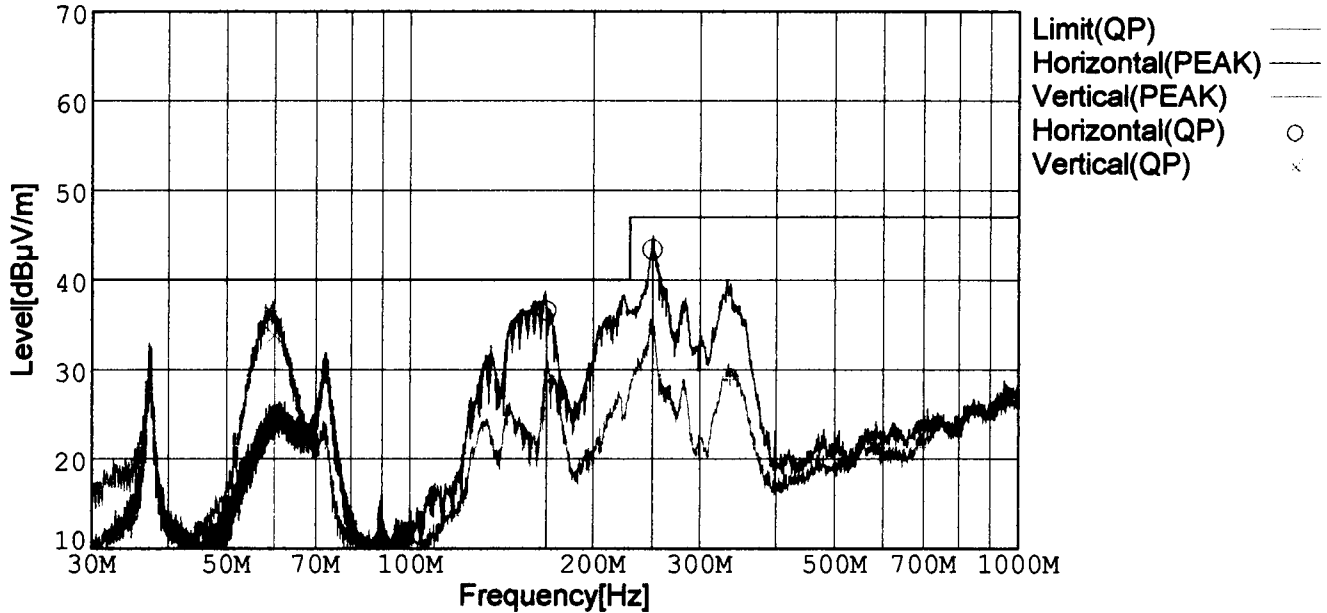


RADIATED EMISSION

Model Name : DBS150A24
 Model No. :
 Serial No. :
 Points : 3
 Detector : PEAK/QP
 Polarization : Hori. & Vert.

Temp. : 25degC
 Humi. : 40%
 Date : 2003/1/24 14:13
 Test Equip. : R3132,ESPC
 Comment : AC90V Io=100%
 Tested by : T.Oiwake

Limit: [EN 55022] Class B<3m>



Frequency [MHz]	Meter Reading (QP) [dBµV]	Ant. Type	Antenna Factor [dB/m]	Cable & Preamp [dB]	Level (QP) [dBµV/m]	Angle[°]	Height [cm]	Polar.	Limit [dBµV/m]	Margin [dB]
167.798	51.7	BL	8.7	-23.9	36.5	147	153	Hori.	40.0	3.5
250.925	54.5	BL	12.4	-23.5	43.4	307	156	Hori.	47.0	3.6
59.924	52.2	BL	4.4	-22.8	33.8	336	136	Vert.	40.0	6.2

BL: Biconi-Log

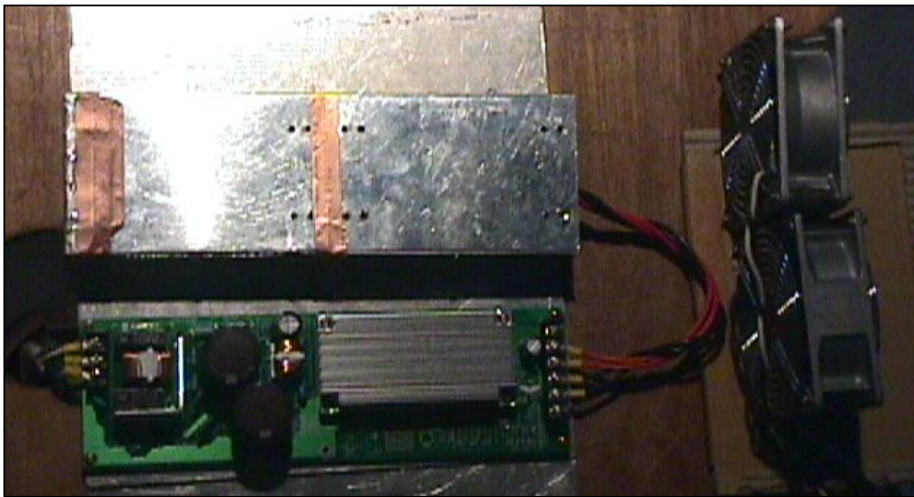
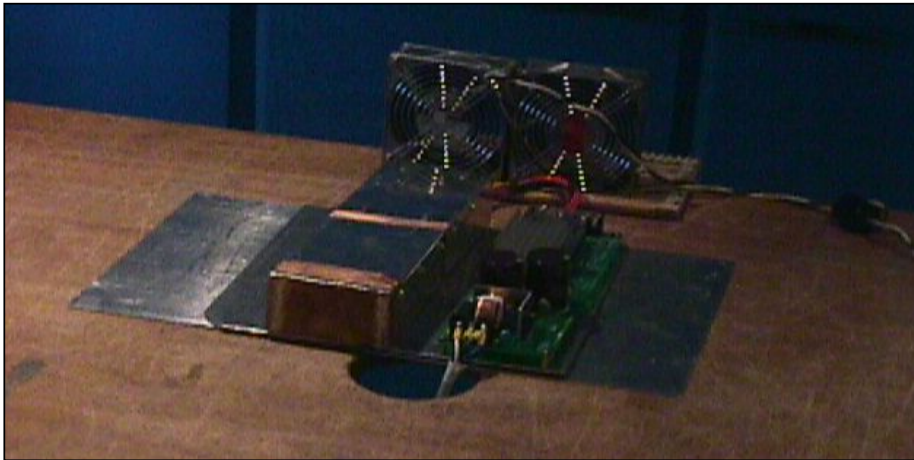
Conditions

Date 2003/01/24

Test : RADIATED EMISSION

Model Name : DBS100A/150A

○Photographs of Test Set-Up



○Testing circuitry

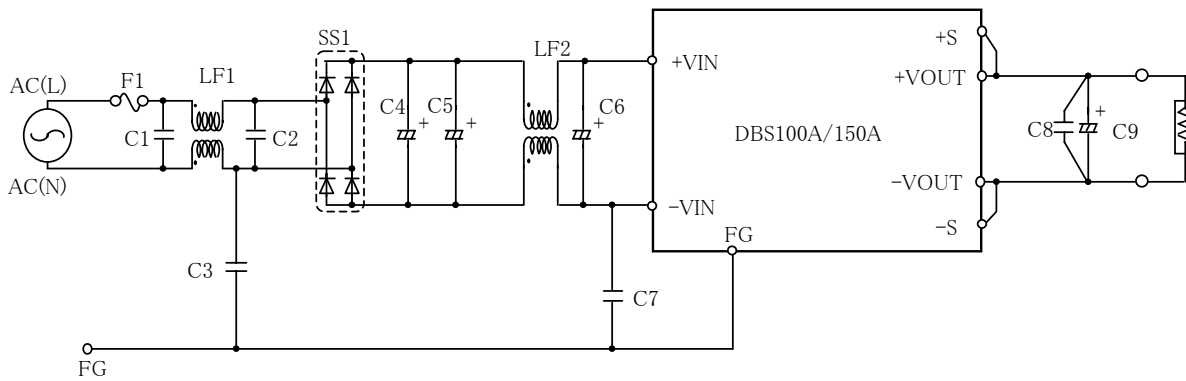


Fig. Testing circuitry

- LF1 : 2.0mH 5.0A Common mode Choke Coil
- LF2 : 1.0mH 5.0A Common mode Choke Coil
- SS1 : 25A 600V Bridge diode
- C1、C2 : 250V 0.47 μ F Film capacitor
- C4、C5 : 250V 1000 μ F Electrolytic capacitor
- C6 : 250V 47 μ F Electrolytic capacitor
- C3、C7 : 250V 3300pF Ceramic capacitor
- C8 : 50V 0.1 μ F Film capacitor
- C9 : 25V 1000 μ F (DBS100A13R8, DBS150A12/15)
35V 470 μ F (DBS150A24)

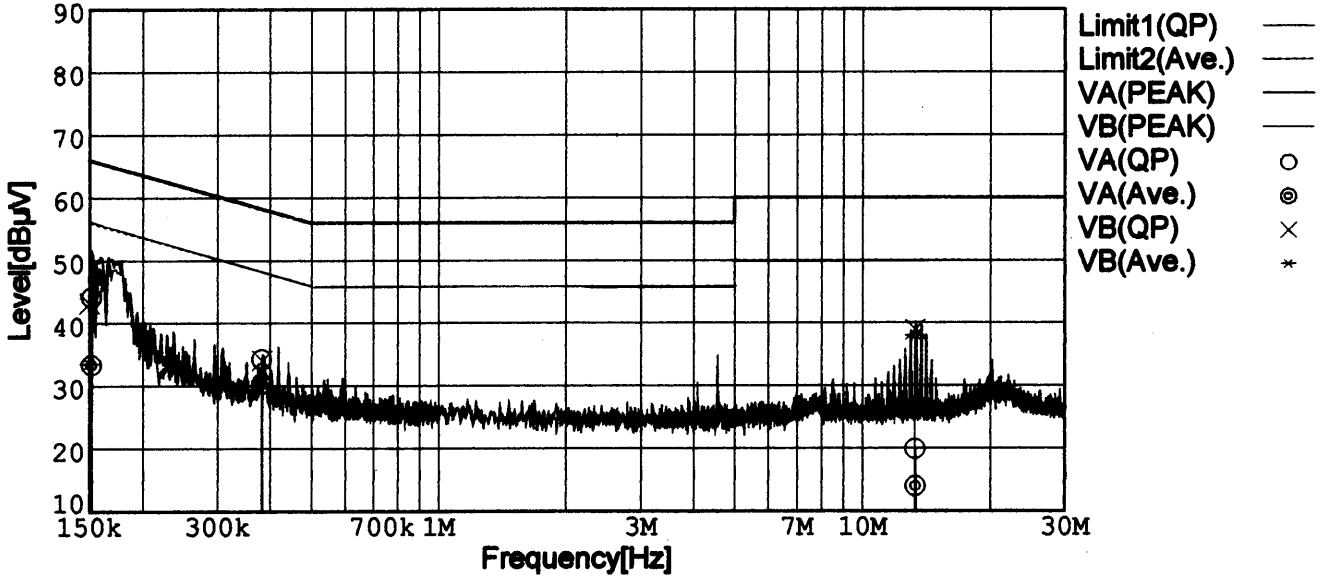


LINE CONDUCTION

Model Name : DBS150A24
 Model No. :
 Serial No. :
 Points : 3
 Detector : PEAK/QP/Ave.
 Line Mode : VA/VB

Temp. : 25degC
 Humi. : 40%
 Date : 2003/1/23 16:50
 Test Equip. : R3132,ESPC
 Comment : AC90V Io=100%
 Tested by : T.Oiwake

Limit1: [EN 55022] Class B(QP)
 Limit2: [EN 55022] Class B(Ave.)



Frequency [MHz]	Meter Reading (QP) [dBµV]	Meter Reading (Ave.) [dBµV]	Factor [dB]	Level (QP) [dBµV]	Level (Ave.) [dBµV]	Line	Limit (QP) [dBµV]	Limit (Ave.) [dBµV]	Margin (QP)[dB]	Margin (Ave.) [dB]
0.1520	34.0	23.3	10.0	44.0	33.3	VA	65.9	55.9	21.9	22.6
0.3826	24.2	20.3	10.0	34.2	30.3	VA	58.2	48.2	24.0	17.9
13.3635	9.3	3.4	10.6	19.9	14.0	VA	60.0	50.0	40.1	36.0
0.1501	33.1	23.5	10.0	43.1	33.5	VB	66.0	56.0	22.9	22.5
0.3830	24.0	20.3	10.0	34.0	30.3	VB	58.2	48.2	24.2	17.9
13.3431	28.3	27.4	10.6	38.9	38.0	VB	60.0	50.0	21.1	12.0

Conditions

Date 2003/01/24

Test : LINE CONDUCTION

Model Name : DBS100A/150A

○Photographs of Test Set-Up



○Testing circuitry

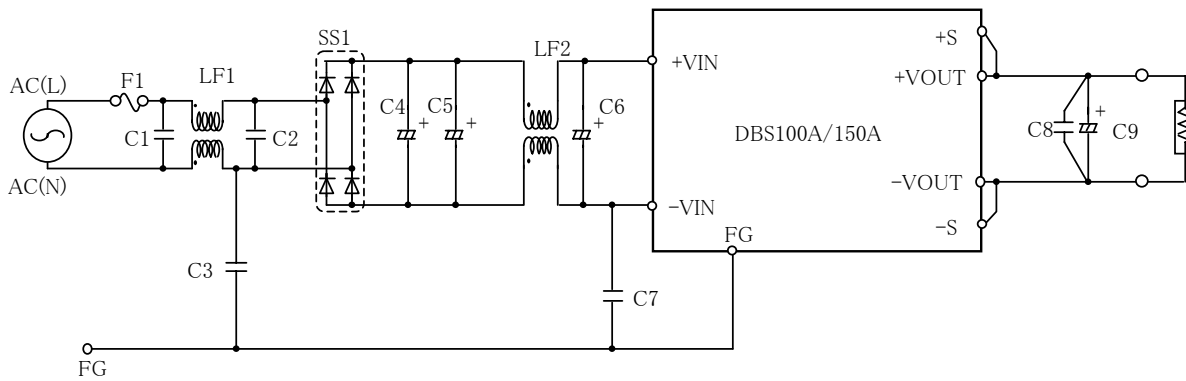


Fig. Testing circuitry

- LF1 : 2.0mH 5.0A Common mode Choke Coil
- LF2 : 1.0mH 5.0A Common mode Choke Coil
- SS1 : 25A 600V Bridge diode
- C1、C2 : 250V 0.47 μ F Film capacitor
- C4、C5 : 250V 1000 μ F Electrolytic capacitor
- C6 : 250V 47 μ F Electrolytic capacitor
- C3、C7 : 250V 3300pF Ceramic capacitor
- C8 : 50V 0.1 μ F Film capacitor
- C9 : 25V 1000 μ F (DBS100A13R8, DBS150A12/15)
35V 470 μ F (DBS150A24)