

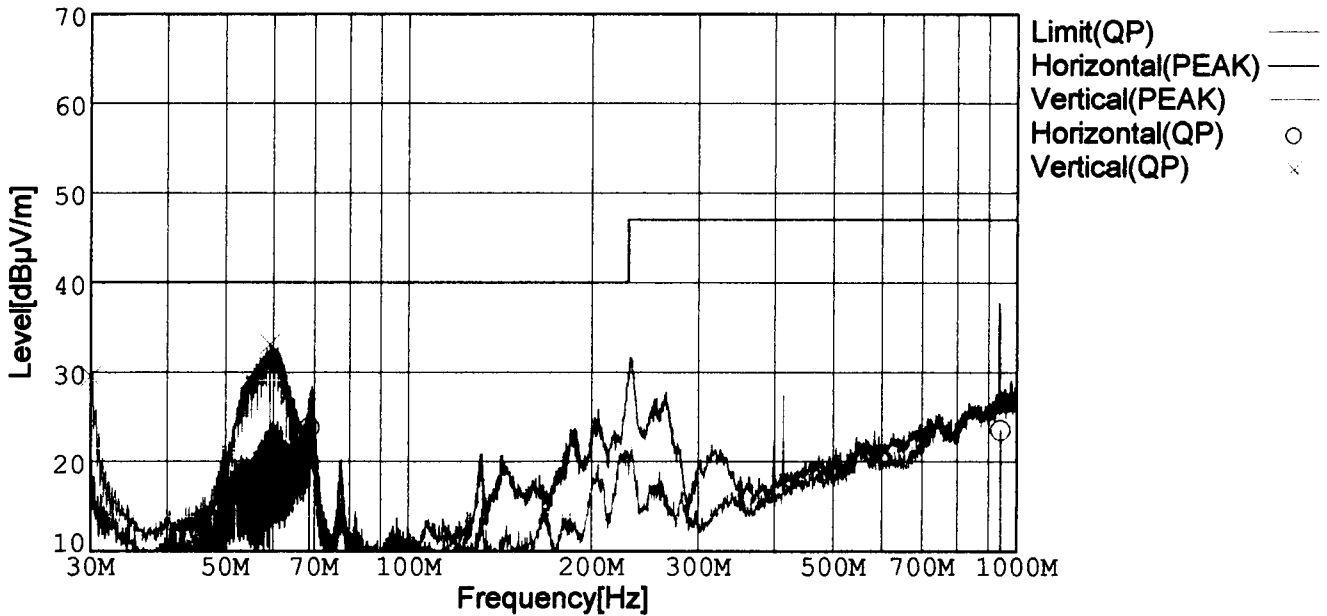


RADIATED EMISSION

Model Name : DBS150A15
 Model No. :
 Serial No. :
 Points : 4
 Detector : PEAK/QP
 Polarization : Hori. & Vert.

Temp. : 25degC
 Humi. : 40%
 Date : 2003/1/24 10:55
 Test Equip. : R3132,ESPC
 Comment : AC90V Io=100%
 Tested by : T.Oiwake

Limit: [EN 55022] Class B<3m>



Frequency [MHz]	Meter Reading (QP) [dBµV]	Ant. Type	Antenna Factor [dB/m]	Cable & Preamp [dB]	Level (QP) [dBµV/m]	Angle[°]	Height [cm]	Polar.	Limit [dBµV/m]	Margin [dB]
68.833	43.0	BL	5.0	-24.3	23.7	226	159	Hori.	40.0	16.3
943.160	21.9	BL	24.9	-23.3	23.5	80	123	Hori.	47.0	23.5
30.018	41.3	BL	18.0	-29.8	29.5	194	101	Vert.	40.0	10.5
59.238	51.4	BL	4.5	-22.8	33.1	338	116	Vert.	40.0	6.9

BL: Biconi-Log

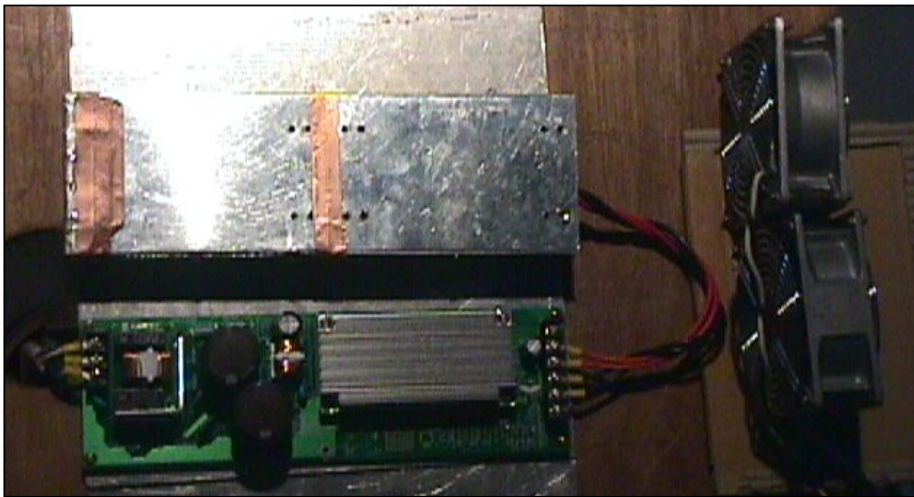
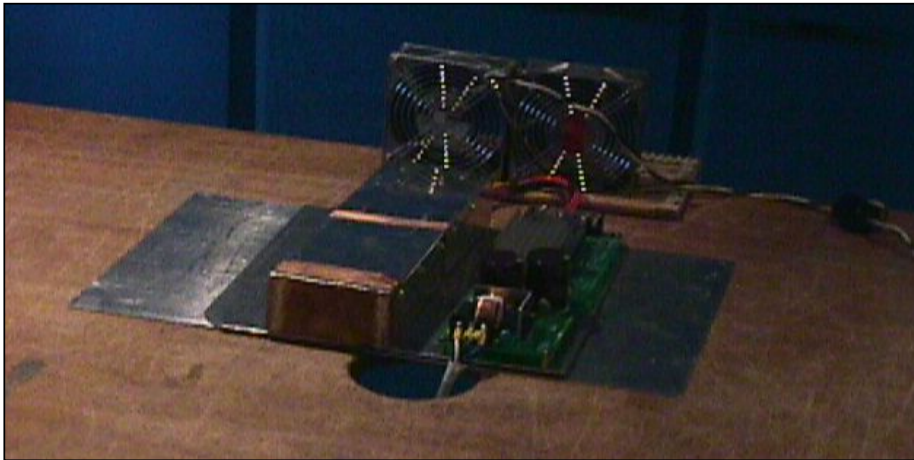
Conditions

Date 2003/01/24

Test : RADIATED EMISSION

Model Name : DBS100A/150A

○Photographs of Test Set-Up



○Testing circuitry

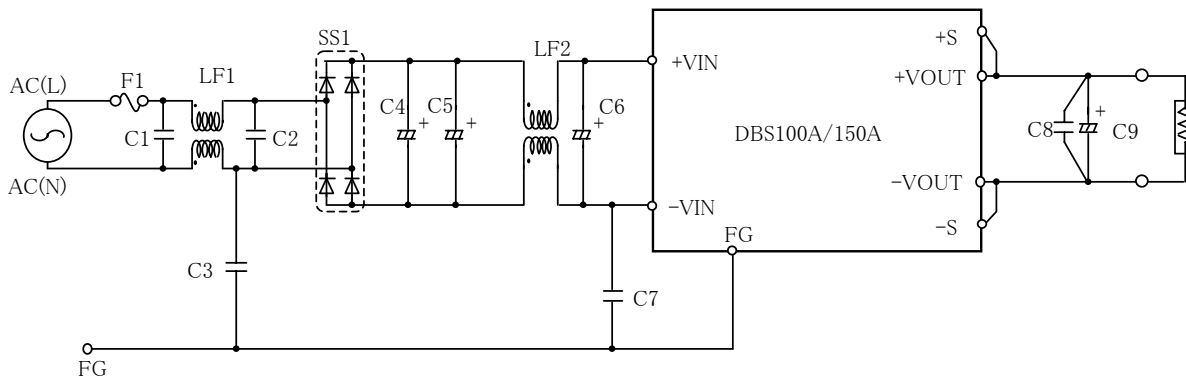


Fig. Testing circuitry

- LF1 : 2.0mH 5.0A Common mode Choke Coil
- LF2 : 1.0mH 5.0A Common mode Choke Coil
- SS1 : 25A 600V Bridge diode
- C1、C2 : 250V 0.47 μ F Film capacitor
- C4、C5 : 250V 1000 μ F Electrolytic capacitor
- C6 : 250V 47 μ F Electrolytic capacitor
- C3、C7 : 250V 3300pF Ceramic capacitor
- C8 : 50V 0.1 μ F Film capacitor
- C9 : 25V 1000 μ F (DBS100A13R8, DBS150A12/15)
35V 470 μ F (DBS150A24)

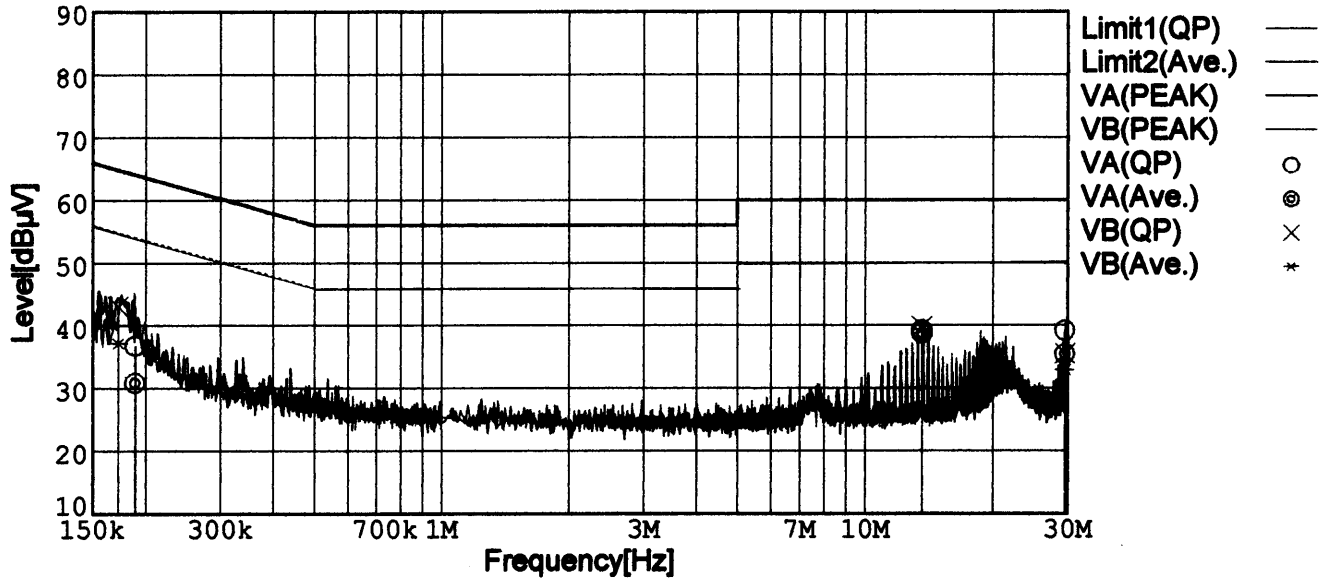


LINE CONDUCTION

Model Name : DBS150A15
 Model No. :
 Serial No. :
 Points : 3
 Detector : PEAK/QP/Ave.
 Line Mode : VAVB

Temp. : 25degC
 Humi. : 40%
 Date : 2003/1/23 13:39
 Test Equip. : R3132,ESPC
 Comment : AC90V Io=100%
 Tested by : T.Oiwake

Limit1: [EN 55022] Class B(QP)
 Limit2: [EN 55022] Class B(Ave.)



Frequency [MHz]	Meter Reading (QP) [dBµV]	Meter Reading (Ave.) [dBµV]	Factor [dB]	Level (QP) [dBµV]	Level (Ave.) [dBµV]	Line	Limit (QP) [dBµV]	Limit (Ave.) [dBµV]	Margin (QP)[dB]	Margin (Ave.) [dB]
0.1893	26.7	20.8	10.0	36.7	30.8	VA	64.1	54.1	27.4	23.3
13.6445	28.6	28.1	10.6	39.2	38.7	VA	60.0	50.0	20.8	11.3
29.6249	28.1	24.3	11.1	39.2	35.4	VA	60.0	50.0	20.8	14.6
0.1725	33.0	27.2	10.0	43.0	37.2	VB	64.8	54.8	21.8	17.6
13.6435	29.3	28.8	10.6	39.9	39.4	VB	60.0	50.0	20.1	10.6
29.6222	24.4	21.8	11.1	35.5	32.9	VB	60.0	50.0	24.5	17.1

Conditions

Date 2003/01/24

Test : LINE CONDUCTION

Model Name : DBS100A/150A

○Photographs of Test Set-Up



○Testing circuitry

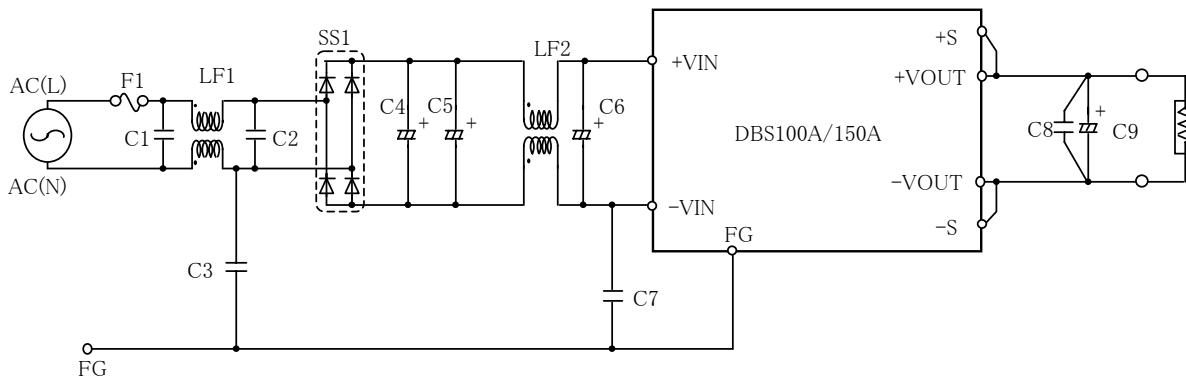


Fig. Testing circuitry

- LF1 : 2.0mH 5.0A Common mode Choke Coil
- LF2 : 1.0mH 5.0A Common mode Choke Coil
- SS1 : 25A 600V Bridge diode
- C1、C2 : 250V 0.47 μ F Film capacitor
- C4、C5 : 250V 1000 μ F Electrolytic capacitor
- C6 : 250V 47 μ F Electrolytic capacitor
- C3、C7 : 250V 3300pF Ceramic capacitor
- C8 : 50V 0.1 μ F Film capacitor
- C9 : 25V 1000 μ F (DBS100A13R8, DBS150A12/15)
35V 470 μ F (DBS150A24)