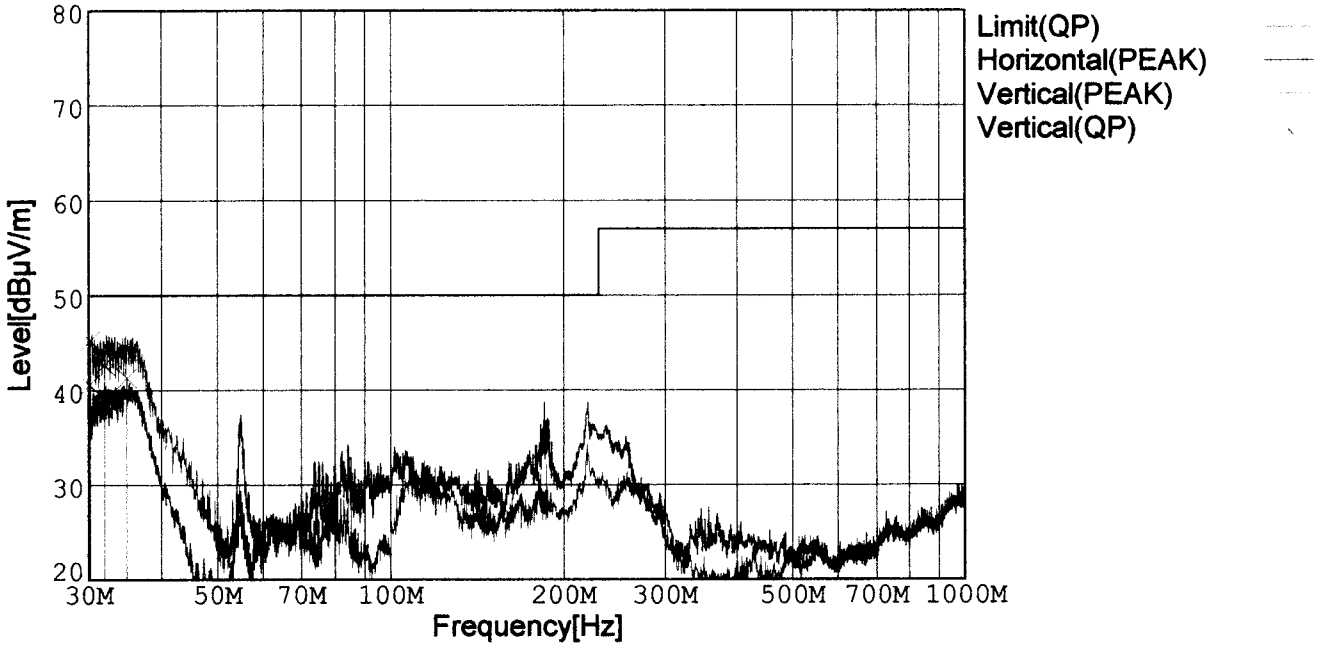




RADIATED EMISSION

Model Name : CDS6002428 Power Supply : Vin=24V Vout=28V Iout=22A
 Model No. : Temp. : 25deg
 Serial No. : Humi. : 45%
 Points : 4 Date : 2001/8/17 18:20
 Detector : PEAK/QP Test Equip. : R3132,ESPC
 Polarization : Vertical Tested by : R.Sakai
 Limit: [EN 55022] Class A<3m>



Frequency [MHz]	Meter Reading (QP) [dBµV]	Ant. Type	Antenna Factor [dB/m]	Cable & Preamp [dB]	Level (QP) [dBµV/m]	Angle[°]	Height [cm]	Polar.	Limit [dBµV/m]	Margin [dB]
30.062	54.5	BL	18.2	-32.1	40.6	181	101	Vert.	50.0	9.4
30.185	59.3	BL	18.1	-32.1	45.3	184	100	Vert.	50.0	4.7
31.881	57.5	BL	17.3	-32.1	42.7	276	103	Vert.	50.0	7.3
34.836	57.6	BL	15.8	-32.1	41.3	281	100	Vert.	50.0	8.7

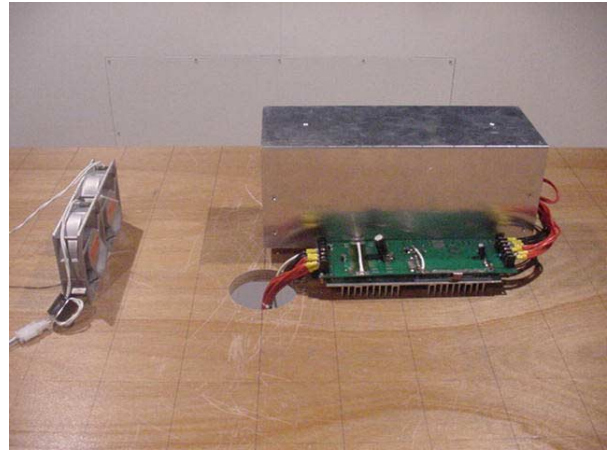
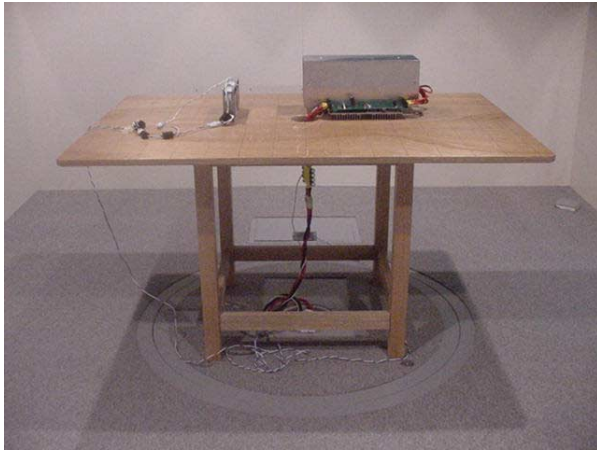
BL: Biconi-Log

Conditions

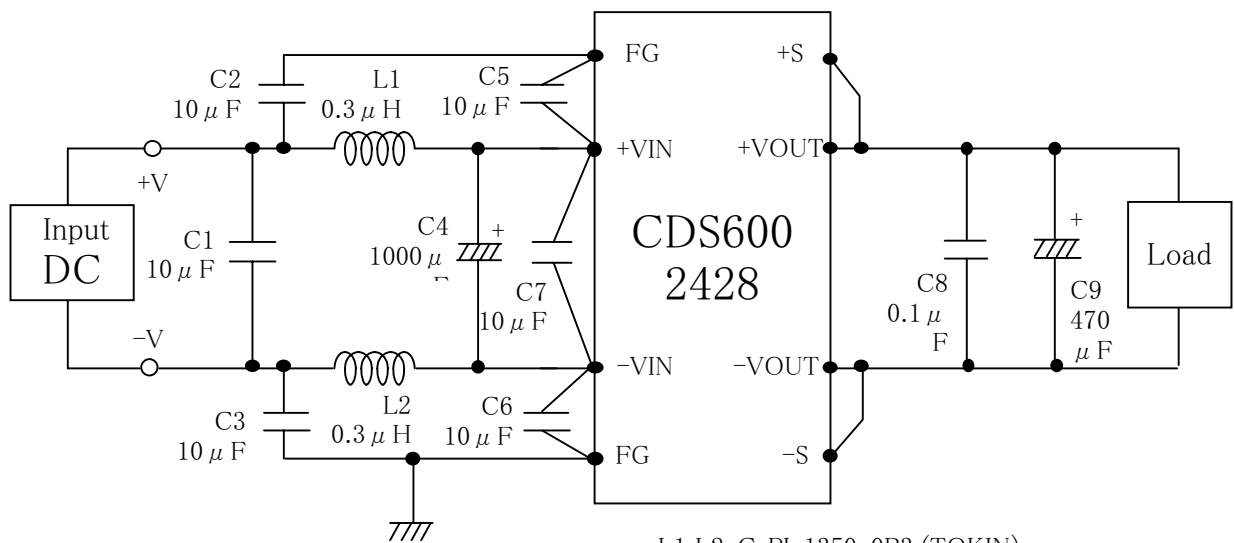
Date 2001/8/17

Test : RADIATED EMISSION
 Model Name : CDS6002428

○Photographs of Test Set-Up



○Testing circuitry



- L1,L2:C·PI-1350-0R3 (TOKIN)
- C1,C2,C3,C5,C6,C7:CY55BJ1H106M (TOKIN)
- C4:50V 1000 μ F PMseries (nichicon)
- C8:MDD50V104M (Nitsuko)
- C9:35V 470 μ F PWseries (nichicon)

Fig. Testing circuitry

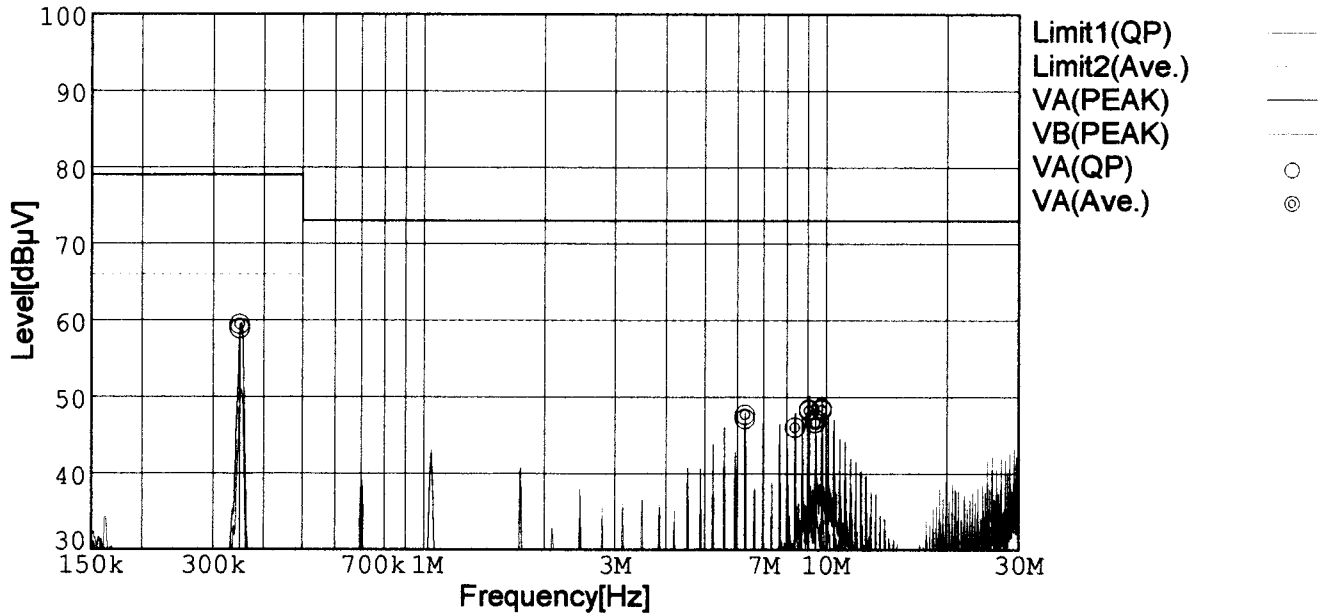


LINE CONDUCTION

Model Name : CDS6002428
 Model No. :
 Serial No. :
 Points : 6
 Detector : PEAK/QP/Ave.
 Line Mode : VA

Power Supply : Vin=24V Vout=28 Iout=22
 Temp. : 25deg
 Humi. : 45%
 Date : 2001/7/30 14:58
 Test Equip. : R3132,ESPC
 Tested by : K.Mizui

Limit1: [EN 55022] Class A(QP)
 Limit2: [EN 55022] Class A(Ave.)



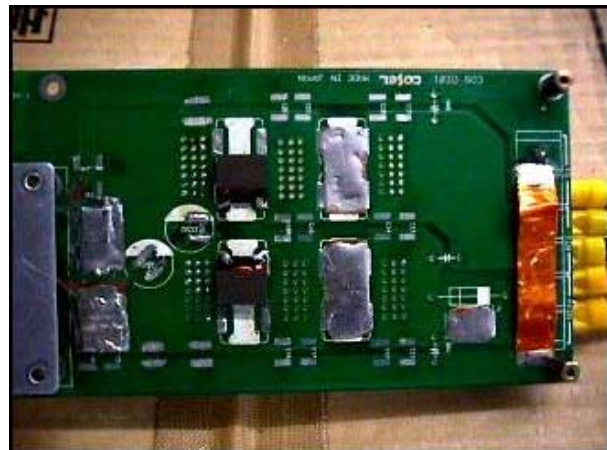
Frequency [MHz]	Meter Reading (QP) [dBµV]	Meter Reading (Ave.) [dBµV]	Factor [dB]	Level (QP) [dBµV]	Level (Ave.) [dBµV]	Line	Limit (QP) [dBµV]	Limit (Ave.) [dBµV]	Margin (QP)[dB]	Margin (Ave.) [dB]
0.3484	49.0	49.6	9.8	58.8	59.4	VA	79.0	66.0	20.2	6.6
6.2779	37.1	37.6	10.0	47.1	47.6	VA	73.0	60.0	25.9	12.4
8.3696	35.9	35.9	10.1	46.0	46.0	VA	73.0	60.0	27.0	14.0
9.0653	38.3	38.1	10.1	48.4	48.2	VA	73.0	60.0	24.6	11.8
9.4114	37.0	36.5	10.1	47.1	46.6	VA	73.0	60.0	25.9	13.4
9.7595	38.4	38.2	10.1	48.5	48.3	VA	73.0	60.0	24.5	11.7

Conditions

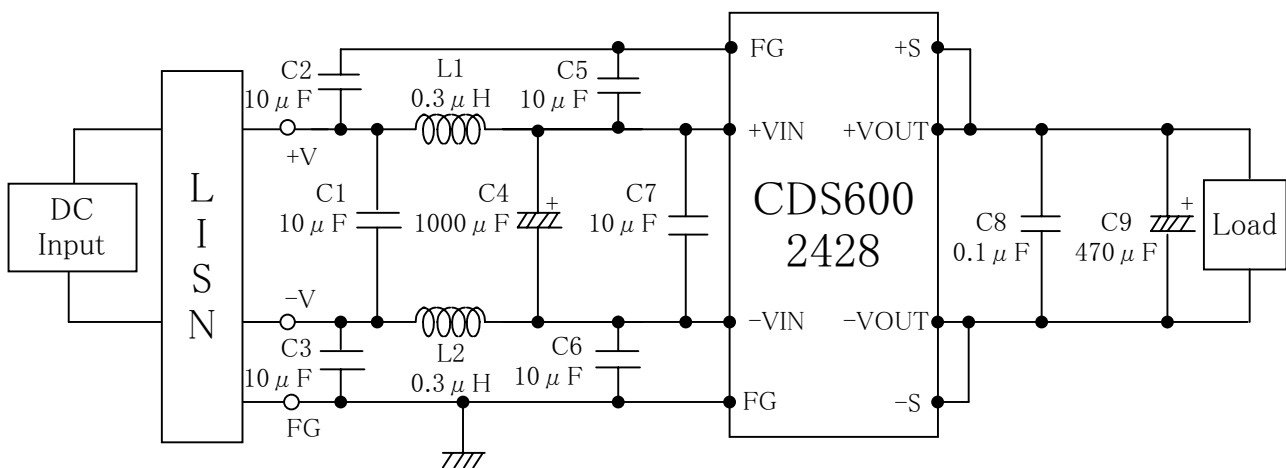
Date 2001/7/30

Test : LINE CONDUCTION
 Model Name : CDS6002428

○Photographs of Test Set-Up



○Testing circuitry



- L1, L2: C·PI-1350-0R3 (TOKIN)
- C1, C2, C3, C5, C6, C7: CY55BJ1H106M (TOKIN)
- C4: 50V 1000 μ F PMseries (nichicon)
- C8: MDD50V104M (Nitsuko)
- C9: 35V 470 μ F PWseries (nichicon)

Fig. Testing circuitry