

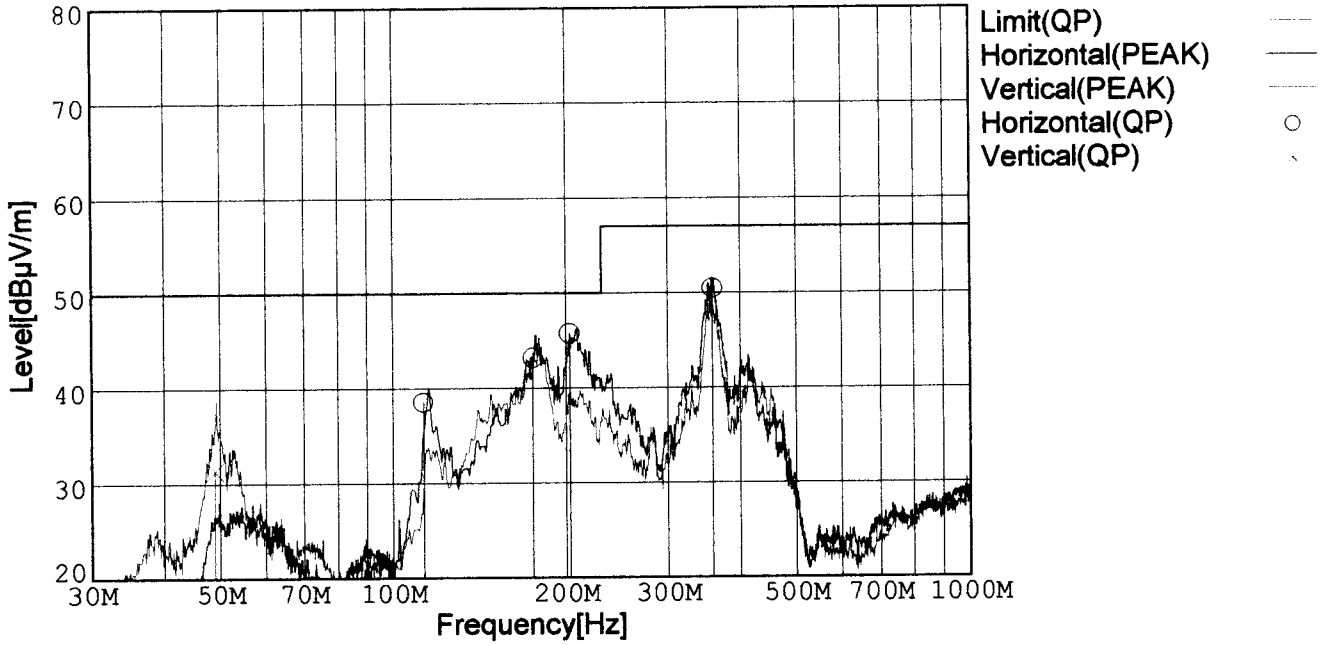


**RADIATED EMISSION**

Model Name : CDS4004824  
 Model No. :  
 Serial No. :  
 Detector : PEAK/QP  
 Polarization : Hori. & Vert.

Tested by : J.Hatagishi  
 Temp. : 25degC  
 Humi. : 40%  
 Date : 2002/3/9 7:55  
 EMI Receiver(s) : R3261A,ESPC  
 Comment : Vin=DC48V Io=100%(24V 21A)

Limit: [EN 55022] Class A<3m>



Frequency [MHz]	Meter Reading (QP) [dBµV]	Ant. Type	Antenna Factor [dB/m]	Cable & Preamp [dB]	Level (QP) [dBµV/m]	Angle[°]	Height [cm]	Polar.	Limit [dBµV/m]	Margin [dB]
202.744	60.7	BL	-27.4	12.4	45.7	174	147	Hori.	50.0	4.3
175.367	58.3	BL	-27.7	12.5	43.1	178	159	Hori.	50.0	6.9
358.055	60.5	BL	-26.9	16.8	50.4	192	153	Hori.	57.0	6.6
112.601	52.6	BL	-28.1	14.0	38.5	213	159	Hori.	50.0	11.5
48.991	47.3	BL	-28.7	12.7	31.3	75	116	Vert.	50.0	18.7

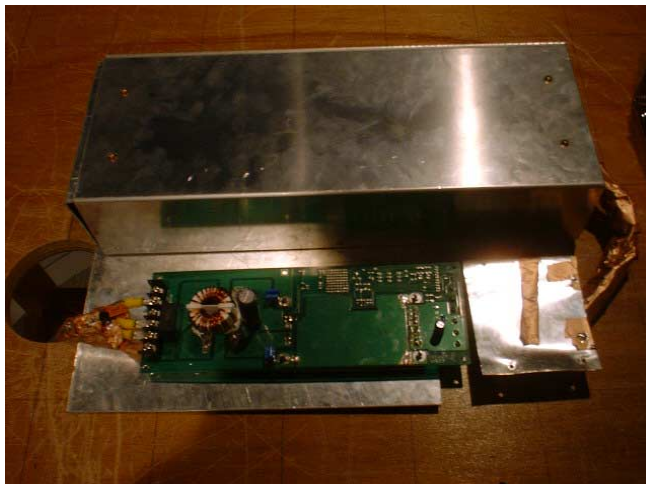
BL: Biconi-Log

Conditions

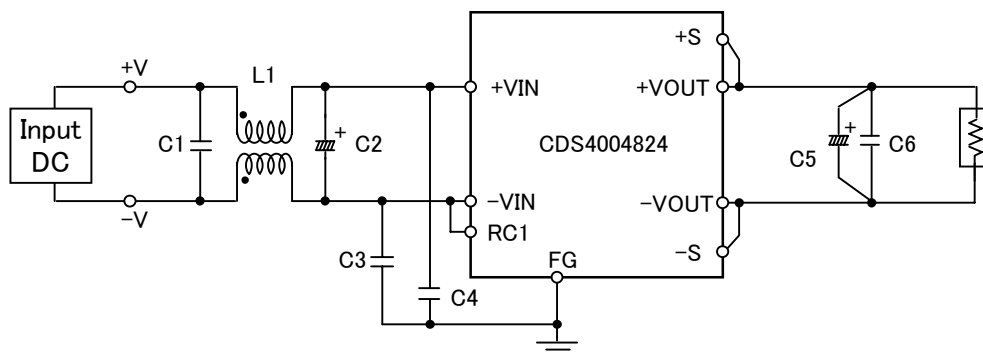
Date 2002/3/9

Test : RADIATED EMISSION  
 Model Name : CDS4004824

○Photographs of Test Set-Up



○Testing circuitry



- |       |                      |                       |
|-------|----------------------|-----------------------|
| L1    | : 1mH                | SC15-10JH (TOKIN)     |
| C1    | : 0.68 $\mu$ F       | CFJC22E684M (NITSUKO) |
| C2    | : 100V 470 $\mu$ F   | PM series (NICHICON)  |
| C3,C4 | : 630V 0.033 $\mu$ F | MDS22J333K (NITSUKO)  |
| C5    | : 35V 220 $\mu$ F    | PW series (NICHICON)  |
| C6    | : 50V 0.1 $\mu$ F    | MDD21H104M (NITSUKO)  |

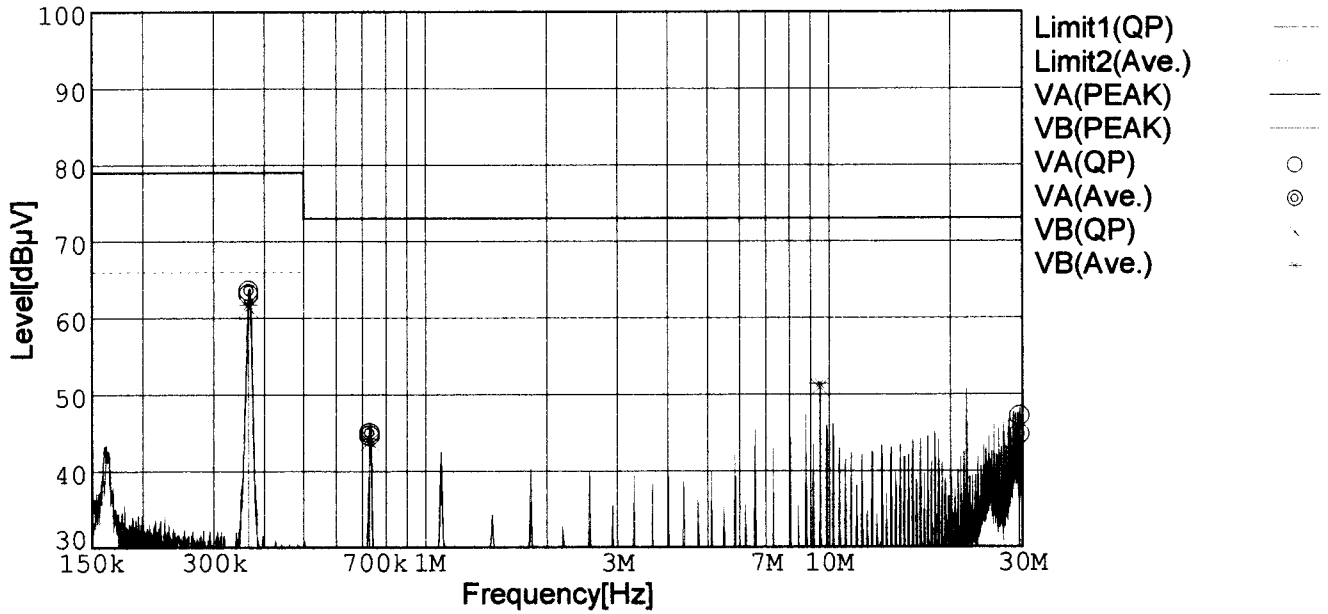
Fig. Testing circuitry



LINE CONDUCTION

Model Name : CDS4004824 Tested by : J.Hatagishi  
 Model No. : Temp. : 25degC  
 Serial No. : Humi. : 40%  
 Points : 4 Date : 2002/3/6 17:37  
 Detector : PEAK/QP/Ave. Test Equip. : R3132,ESPC  
 Line Mode : VA/VB Comment : Vin=DC48V Io=100% (24V 21A)

Limit1: [EN 55022] Class A(QP)  
 Limit2: [EN 55022] Class A(Ave.)



Frequency [MHz]	Meter Reading (QP) [dBµV]	Meter Reading (Ave.) [dBµV]	Factor [dB]	Level (QP) [dBµV]	Level (Ave.) [dBµV]	Line	Limit (QP) [dBµV]	Limit (Ave.) [dBµV]	Margin (QP)[dB]	Margin (Ave.) [dB]
0.3640	53.3	53.8	9.8	63.1	63.6	VA	79.0	66.0	15.9	2.4
0.7277	34.7	35.1	9.9	44.6	45.0	VA	73.0	60.0	28.4	15.0
29.4938	36.7	34.3	10.4	47.1	44.7	VA	73.0	60.0	25.9	15.3
0.3638	51.5	51.9	9.8	61.3	61.7	VB	79.0	66.0	17.7	4.3
0.7283	33.9	34.3	9.9	43.8	44.2	VB	73.0	60.0	29.2	15.8
9.4685	40.8	41.3	10.1	50.9	51.4	VB	73.0	60.0	22.1	8.6

Conditions

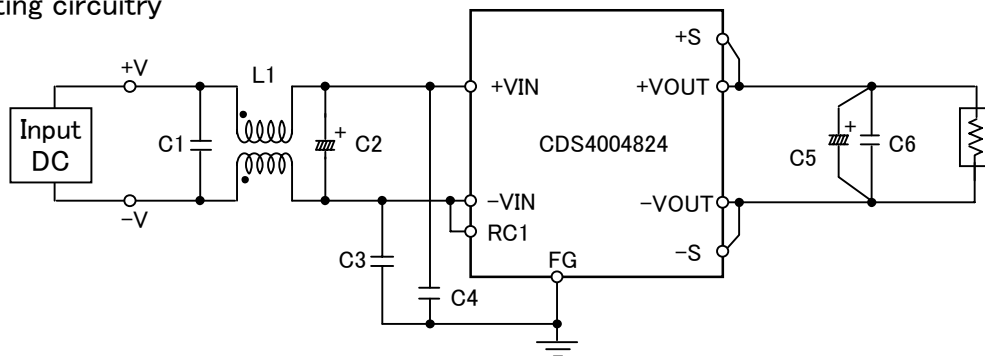
Date 2002/3/6

Test : LINE CONDUCTION  
 Model Name : CDS4004824

○Photographs of Test Set-Up



○Testing circuitry



- |       |                      |                       |
|-------|----------------------|-----------------------|
| L1    | : 1mH                | SC15-10JH (TOKIN)     |
| C1    | : 0.68 $\mu$ F       | CFJC22E684M (NITSUKO) |
| C2    | : 100V 470 $\mu$ F   | PM series (NICHICON)  |
| C3,C4 | : 630V 0.033 $\mu$ F | MDS22J333K (NITSUKO)  |
| C5    | : 35V 220 $\mu$ F    | PW series (NICHICON)  |
| C6    | : 50V 0.1 $\mu$ F    | MDD21H104M (NITSUKO)  |

Fig. Testing circuitry