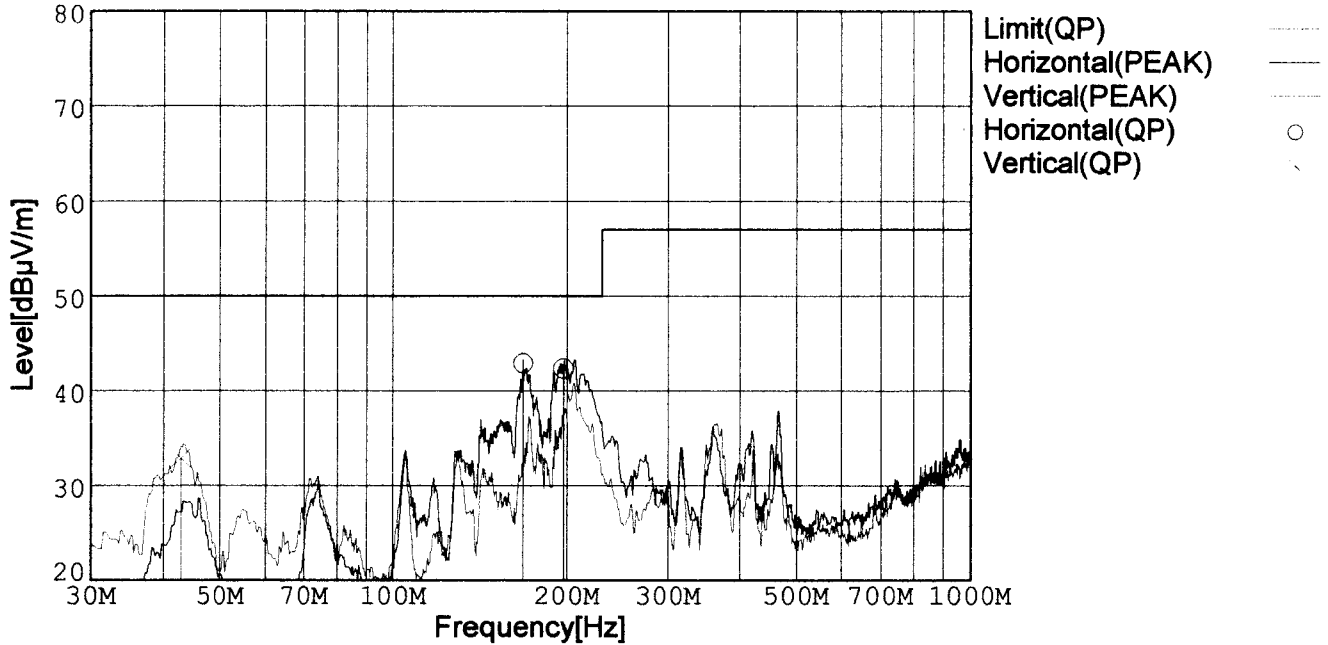


## RADIATED EMISSION

Model Name	: CDS4004815	Tested by	: J.Hatagishi
Model No.	:	Temp.	: 25degC
Serial No.	:	Humi.	: 40%
Detector	: PEAK/QP	Date	: 2002/3/9 6:49
Polarization	: Hori. & Vert.	EMI Receiver(s)	: R3261A,ESPC
		Comment	: Vin=DC48V Io=100%(15V 34A)

Limit: [EN 55022] Class A<3m>



Frequency [MHz]	Meter Reading (QP) [dBµV]	Ant. Type	Antenna Factor [dB/m]	Cable & Preamp [dB]	Level (QP) [dBµV/m]	Angle[°]	Height [cm]	Polar.	Limit [dBµV/m]	Margin [dB]
167.694	57.7	BL	-27.7	12.9	42.9	40	145	Hori.	50.0	7.1
197.309	57.7	BL	-27.4	12.0	42.3	90	147	Hori.	50.0	7.7
42.727	47.0	BL	-28.7	14.6	32.9	17	105	Vert.	50.0	17.1

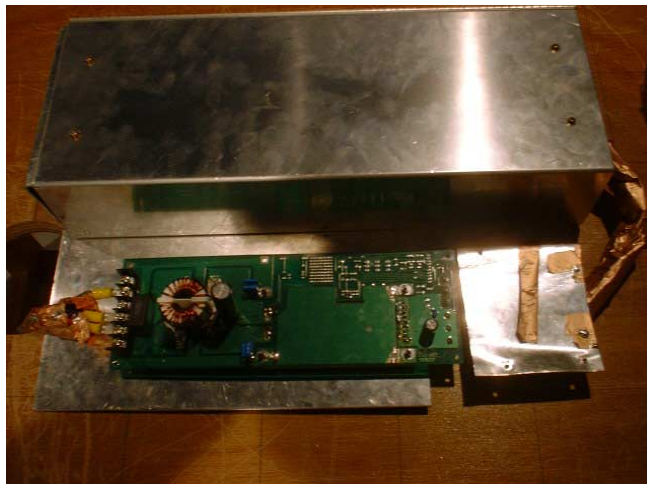
BL: Biconi-Log

Conditions

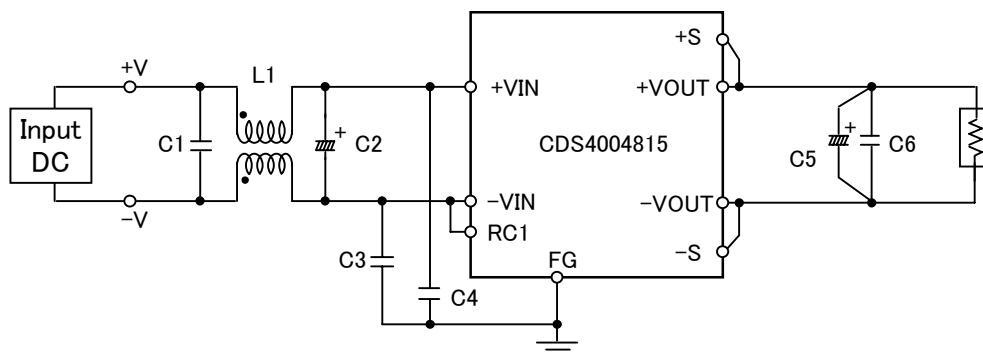
Date 2002/3/9

Test : RADIATED EMISSION  
 Model Name : CDS4004815

○Photographs of Test Set-Up



○Testing circuitry



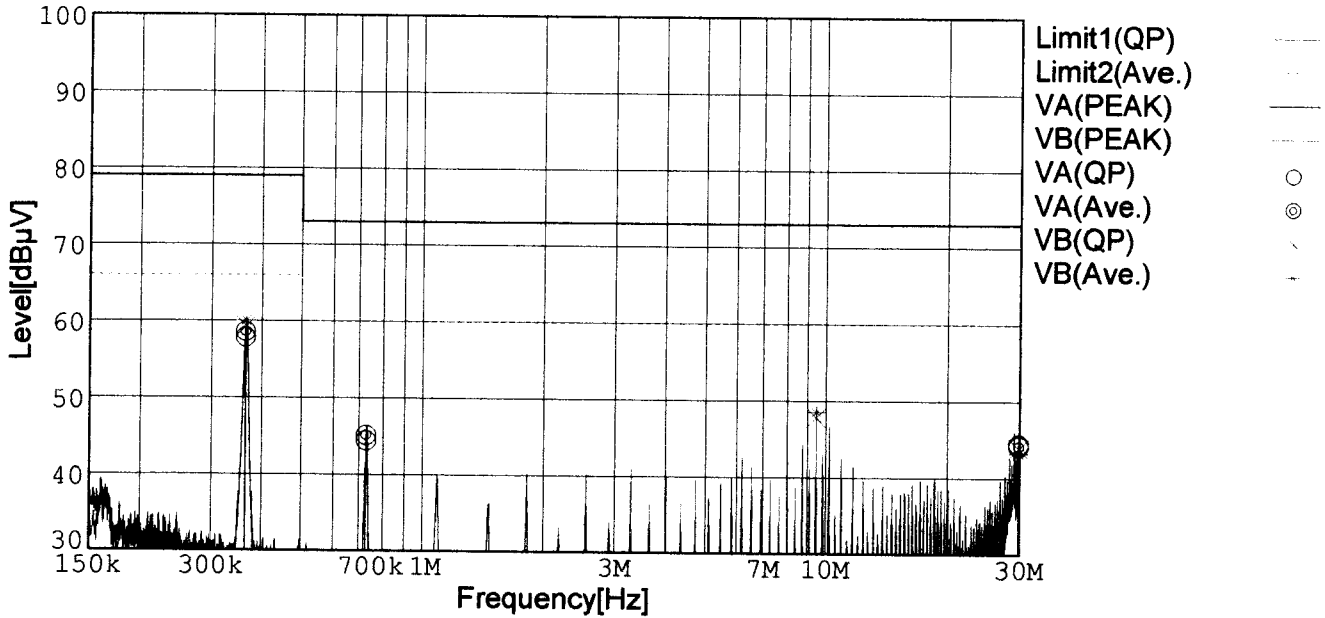
- |       |                      |                       |
|-------|----------------------|-----------------------|
| L1    | : 1mH                | SC15-10JH (TOKIN)     |
| C1    | : 0.68 $\mu$ F       | CFJC22E684M (NITSUKO) |
| C2    | : 100V 470 $\mu$ F   | PM series (NICHICON)  |
| C3,C4 | : 630V 0.033 $\mu$ F | MDS22J333K (NITSUKO)  |
| C5    | : 35V 330 $\mu$ F    | PW series (NICHICON)  |
| C6    | : 50V 0.1 $\mu$ F    | MDD21H104M (NITSUKO)  |

Fig. Testing circuitry



LINE CONDUCTION

Model Name	: CDS4004815	Tested by	: J.Hatagishi
Model No.	:	Temp.	: 25degC
Serial No.	:	Humi.	: 40%
Points	: 4	Date	: 2002/3/8 15:04
Detector	: PEAK/QP/Ave.	Test Equip.	: R3132,ESPC
Line Mode	: VA/VB	Comment	: Vin=DC48V Io=100% (15V 34A)
Limit1: [EN 55022] Class A(QP)			
Limit2: [EN 55022] Class A(Ave.)			



Frequency [MHz]	Meter Reading (QP) [dBµV]	Meter Reading (Ave.) [dBµV]	Factor [dB]	Level (QP) [dBµV]	Level (Ave.) [dBµV]	Line	Limit (QP) [dBµV]	Limit (Ave.) [dBµV]	Margin (QP)[dB]	Margin (Ave.) [dB]
0.3638	48.0	48.7	9.8	57.8	58.5	VA	79.0	66.0	21.2	7.5
0.7283	34.5	35.2	9.9	44.4	45.1	VA	73.0	60.0	28.6	14.9
29.8496	34.0	33.7	10.4	44.4	44.1	VA	73.0	60.0	28.6	15.9
0.3642	49.5	50.2	9.8	59.3	60.0	VB	79.0	66.0	19.7	6.0
9.4659	37.7	38.4	10.1	47.8	48.5	VB	73.0	60.0	25.2	11.5
29.8492	33.4	32.8	10.4	43.8	43.2	VB	73.0	60.0	29.2	16.8

Conditions

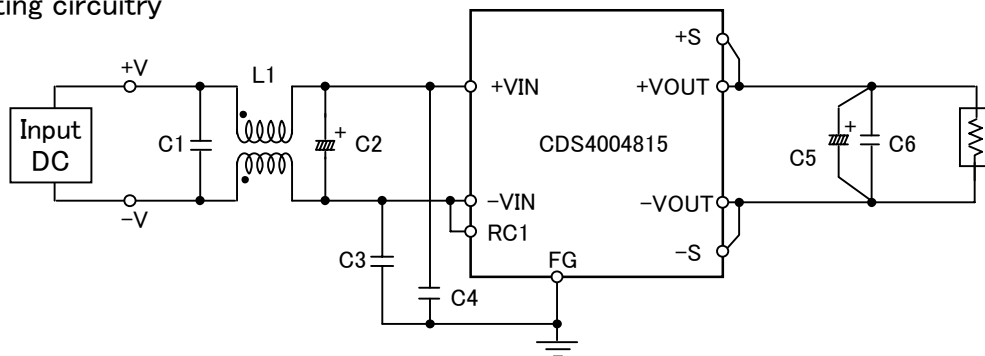
Date 2002/3/8

Test : LINE CONDUCTION  
 Model Name : CDS4004815

○Photographs of Test Set-Up



○Testing circuitry



- |       |                      |                       |
|-------|----------------------|-----------------------|
| L1    | : 1mH                | SC15-10JH (TOKIN)     |
| C1    | : 0.68 $\mu$ F       | CFJC22E684M (NITSUKO) |
| C2    | : 100V 470 $\mu$ F   | PM series (NICHICON)  |
| C3,C4 | : 630V 0.033 $\mu$ F | MDS22J333K (NITSUKO)  |
| C5    | : 35V 330 $\mu$ F    | PW series (NICHICON)  |
| C6    | : 50V 0.1 $\mu$ F    | MDD21H104M (NITSUKO)  |

Fig. Testing circuitry