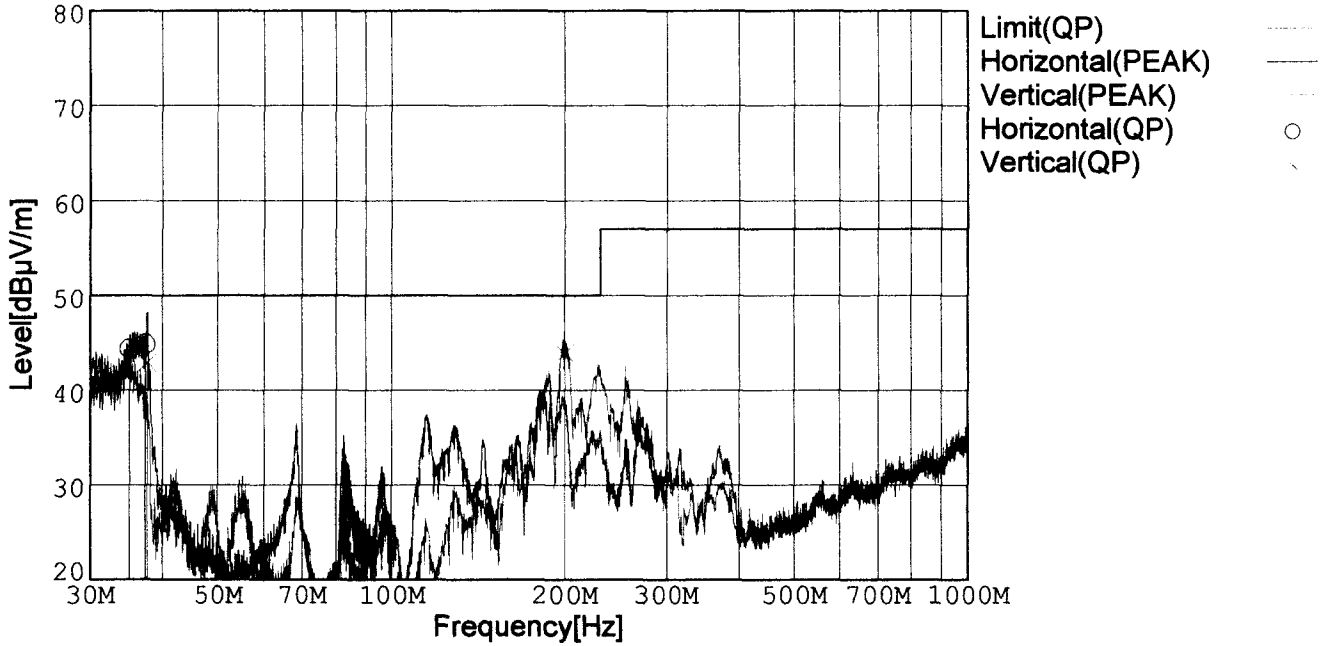


## RADIATED EMISSION

Model Name : CDS4004812      Tested by : J.Hatagishi  
 Model No. :                      Temp. : 25degC  
 Serial No. :                      Humi. : 40%  
 Points : 3                        Date : 2002/3/8 23:18  
 Detector : PEAK/QP            Test Equip. : R3132,ESPC  
 Polarization : Hori. & Vert.    Comment : Vin=DC48V Io=100% (12.5V 40A)  
 Limit: [EN 55022] Class A<3m>



Frequency [MHz]	Meter Reading (QP) [dBµV]	Ant. Type	Antenna Factor [dB/m]	Cable & Preamp [dB]	Level (QP) [dBµV/m]	Angle[*]	Height [cm]	Polar.	Limit [dBµV/m]	Margin [dB]
35.089	50.2	BL	15.7	-21.6	44.3	167	112	Hori.	50.0	5.7
37.388	52.1	BL	14.4	-21.6	44.9	196	100	Hori.	50.0	5.1
37.669	50.2	BL	14.3	-21.6	42.9	260	106	Vert.	50.0	7.1
199.834	56.1	BL	8.5	-20.7	43.9	158	106	Vert.	50.0	6.1

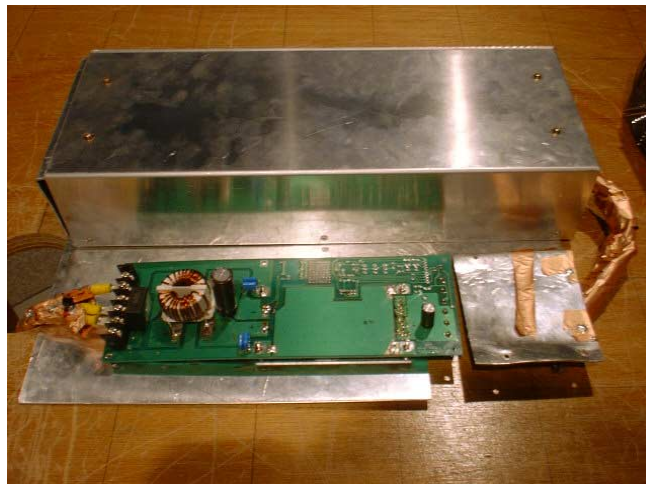
BL: Biconi-Log

Conditions

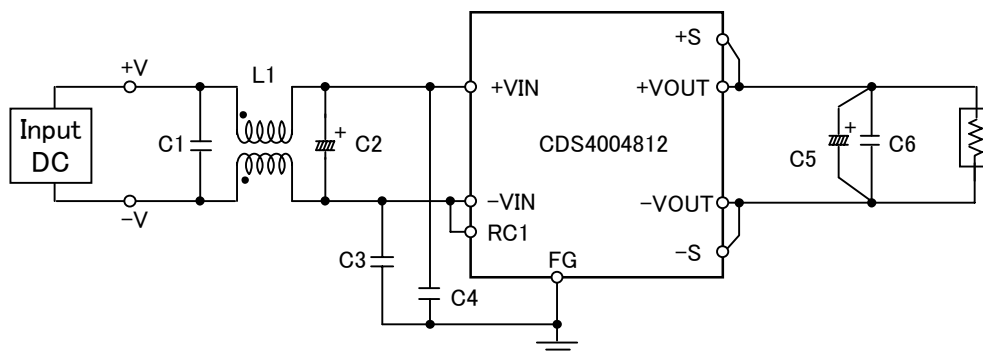
Date 2002/3/8

Test : RADIATED EMISSION  
 Model Name : CDS4004812

○Photographs of Test Set-Up



○Testing circuitry



- |       |                      |                       |
|-------|----------------------|-----------------------|
| L1    | : 1mH                | SC15-10JH (TOKIN)     |
| C1    | : 0.68 $\mu$ F       | CFJC22E684M (NITSUKO) |
| C2    | : 100V 470 $\mu$ F   | PM series (NICHICON)  |
| C3,C4 | : 630V 0.033 $\mu$ F | MDS22J333K (NITSUKO)  |
| C5    | : 35V 470 $\mu$ F    | PW series (NICHICON)  |
| C6    | : 50V 0.1 $\mu$ F    | MDD21H104M (NITSUKO)  |

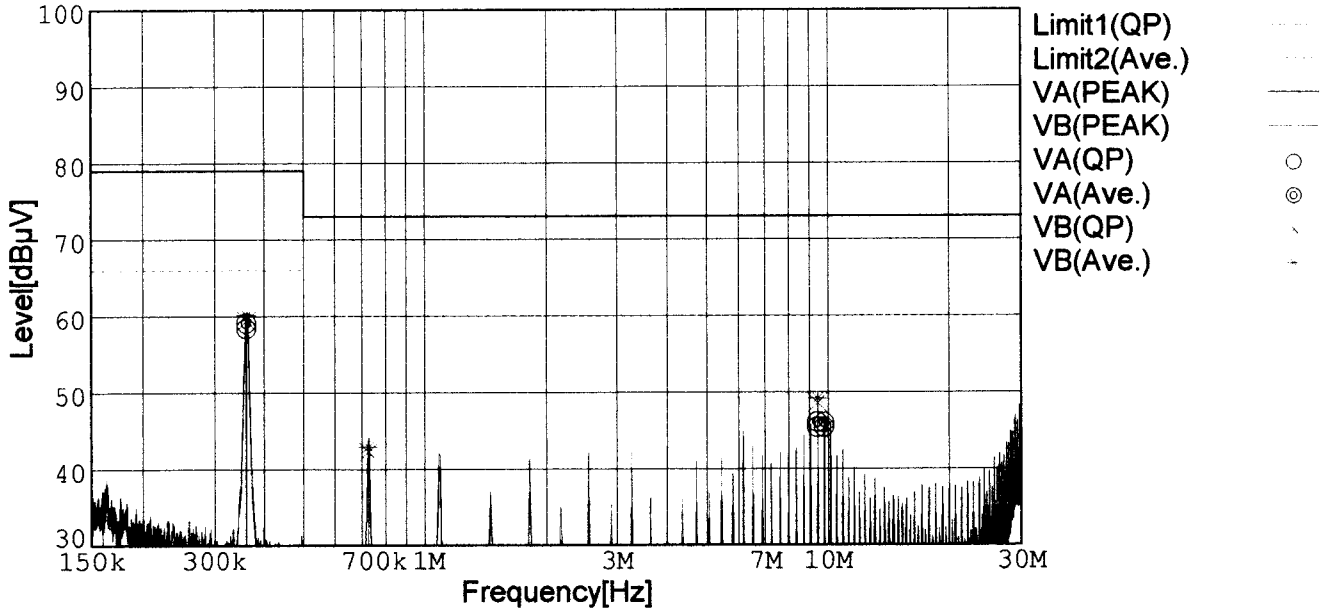
Fig. Testing circuitry



LINE CONDUCTION

Model Name : CDS4004812 Tested by : J.Hatagishi  
 Model No. : Temp. : 25degC  
 Serial No. : Humi. : 40%  
 Points : 4 Date : 2002/3/8 21:54  
 Detector : PEAK/QP/Ave. Test Equip. : R3132,ESPC  
 Line Mode : VA/VB Comment : Vin=48V Io=100% (12.5V 40A)

Limit1: [EN 55022] Class A(QP)  
 Limit2: [EN 55022] Class A(Ave.)



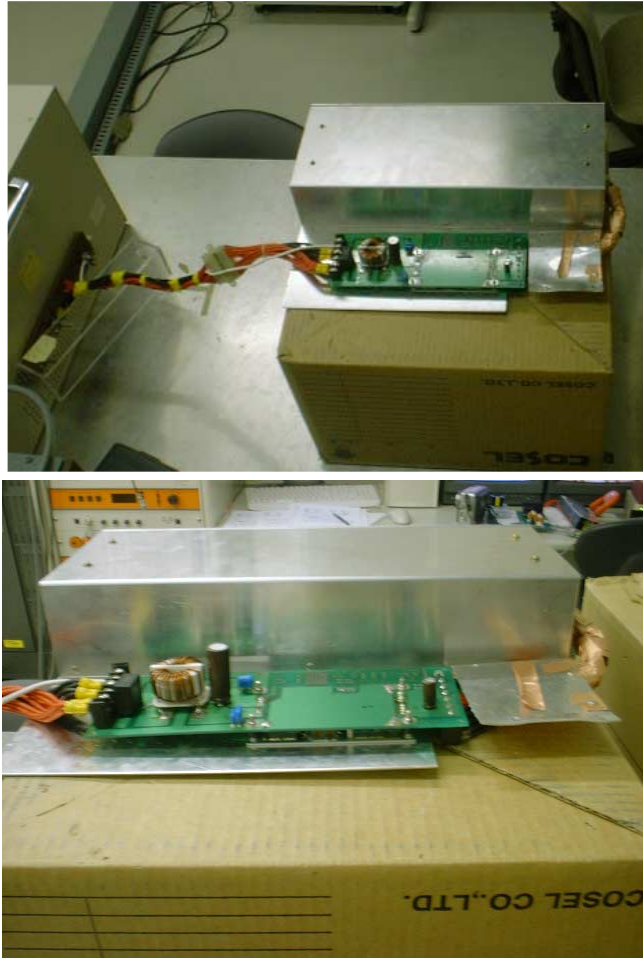
Frequency [MHz]	Meter Reading (QP) [dBµV]	Meter Reading (Ave.) [dBµV]	Factor [dB]	Level (QP) [dBµV]	Level (Ave.) [dBµV]	Line	Limit (QP) [dBµV]	Limit (Ave.) [dBµV]	Margin (QP)[dB]	Margin (Ave.) [dB]
0.3614	48.5	49.3	9.8	58.3	59.1	VA	79.0	66.0	20.7	6.9
9.4140	35.2	36.0	10.1	45.3	46.1	VA	73.0	60.0	27.7	13.9
9.7734	35.3	35.9	10.1	45.4	46.0	VA	73.0	60.0	27.6	14.0
0.3621	49.6	50.4	9.8	59.4	60.2	VB	79.0	66.0	19.6	5.8
0.7249	32.3	33.0	9.9	42.2	42.9	VB	73.0	60.0	30.8	17.1
9.4130	38.4	39.0	10.1	48.5	49.1	VB	73.0	60.0	24.5	10.9

Conditions

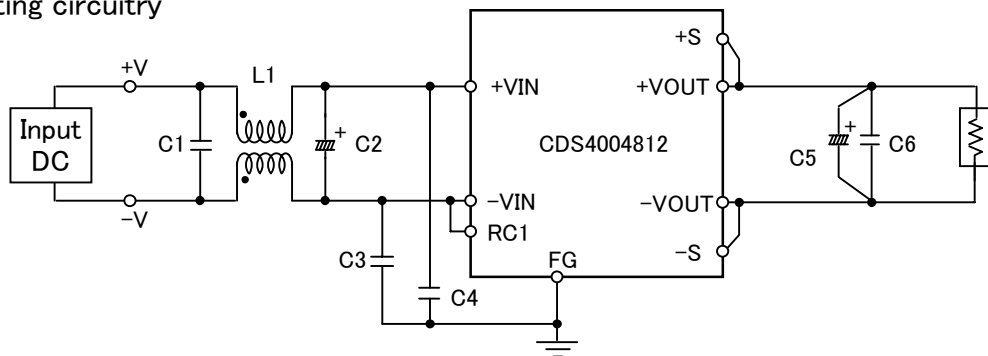
Date 2002/3/8

Test : LINE CONDUCTION  
 Model Name : CDS4004812

○Photographs of Test Set-Up



○Testing circuitry



- |       |                      |                       |
|-------|----------------------|-----------------------|
| L1    | : 1mH                | SC15-10JH (TOKIN)     |
| C1    | : 0.68 $\mu$ F       | CFJC22E684M (NITSUKO) |
| C2    | : 100V 470 $\mu$ F   | PM series (NICHICON)  |
| C3,C4 | : 630V 0.033 $\mu$ F | MDS22J333K (NITSUKO)  |
| C5    | : 35V 470 $\mu$ F    | PW series (NICHICON)  |
| C6    | : 50V 0.1 $\mu$ F    | MDD21H104M (NITSUKO)  |

Fig. Testing circuitry