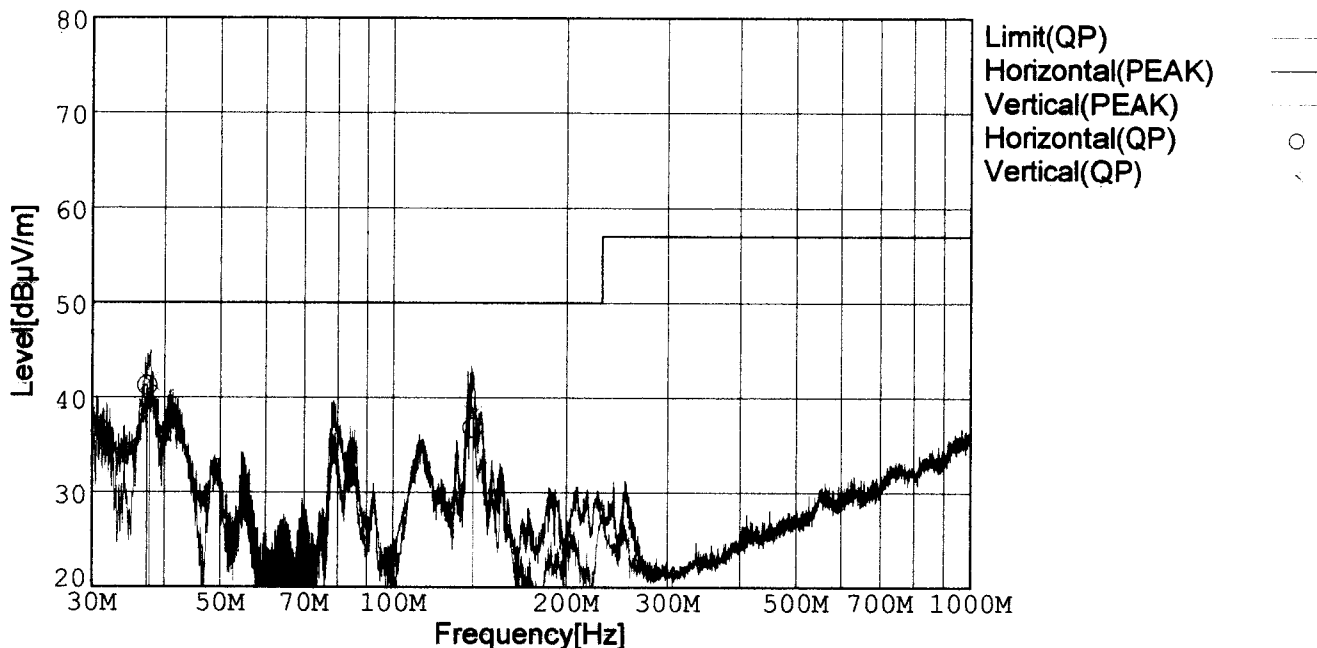




RADIATED EMISSION

| | | | |
|--------------|-----------------|-------------|---------------------------------|
| Model Name | : CDS4004803 | Tested by | : J.Hatagishi |
| Model No. | : | Temp. | : 25degC |
| Serial No. | : | Humi. | : 40% |
| Points | : 2 | Date | : 2002/3/9 5:16 |
| Detector | : PEAK/QP | Test Equip. | : R3132,ESPC |
| Polarization | : Hori. & Vert. | Comment | : Vin=DC48V Io=100% (3.3V 100A) |

Limit: [EN 55022] Class A<3m>



| Frequency [MHz] | Meter Reading (QP) [dBµV] | Ant. Type | Antenna Factor [dB/m] | Cable & Preamp [dB] | Level (QP) [dBµV/m] | Angle[°] | Height [cm] | Polar. | Limit [dBµV/m] | Margin [dB] |
|-----------------|---------------------------|-----------|-----------------------|---------------------|---------------------|----------|-------------|--------|----------------|-------------|
| 37.377 | 48.3 | BL | 14.5 | -21.6 | 41.2 | 240 | 109 | Hori. | 50.0 | 8.8 |
| 137.314 | 46.9 | BL | 10.9 | -21.0 | 36.8 | 316 | 128 | Hori. | 50.0 | 13.2 |
| 37.748 | 49.1 | BL | 14.2 | -21.6 | 41.7 | 187 | 101 | Vert. | 50.0 | 8.3 |
| 137.460 | 48.3 | BL | 10.9 | -21.0 | 38.2 | 358 | 123 | Vert. | 50.0 | 11.8 |

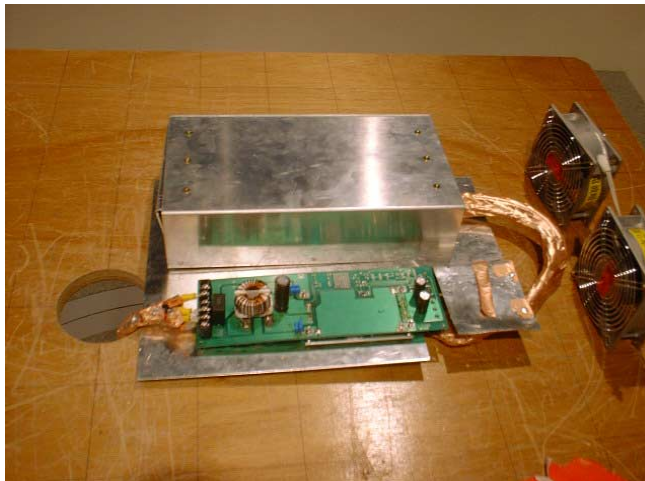
BL: Biconi-Log

Conditions

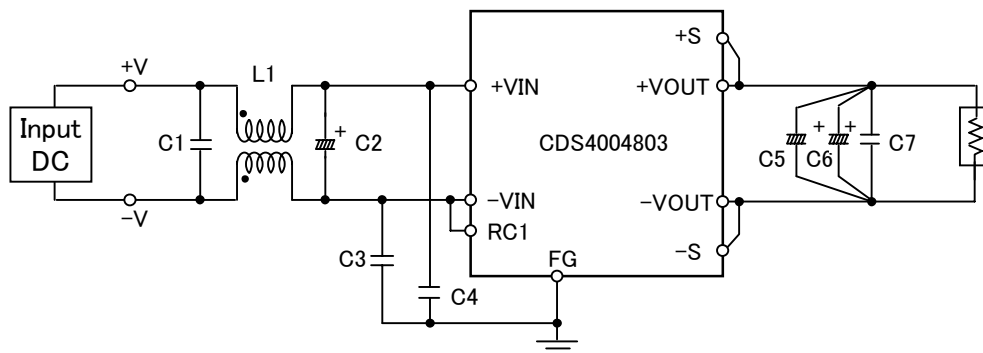
Date 2002/3/9

Test : RADIATED EMISSION
 Model Name : CDS4004803

○Photographs of Test Set-Up



○Testing circuitry



- | | | |
|-------|----------------------|-----------------------|
| L1 | : 1mH | SC15-10JH (TOKIN) |
| C1 | : 0.68 μ F | CFJC22E684M (NITSUKO) |
| C2 | : 100V 470 μ F | PM series (NICHICON) |
| C3,C4 | : 630V 0.033 μ F | MDS22J333K (NITSUKO) |
| C5,C6 | : 10V 3300 μ F | PW series (NICHICON) |
| C7 | : 50V 0.1 μ F | MDD21H104M (NITSUKO) |

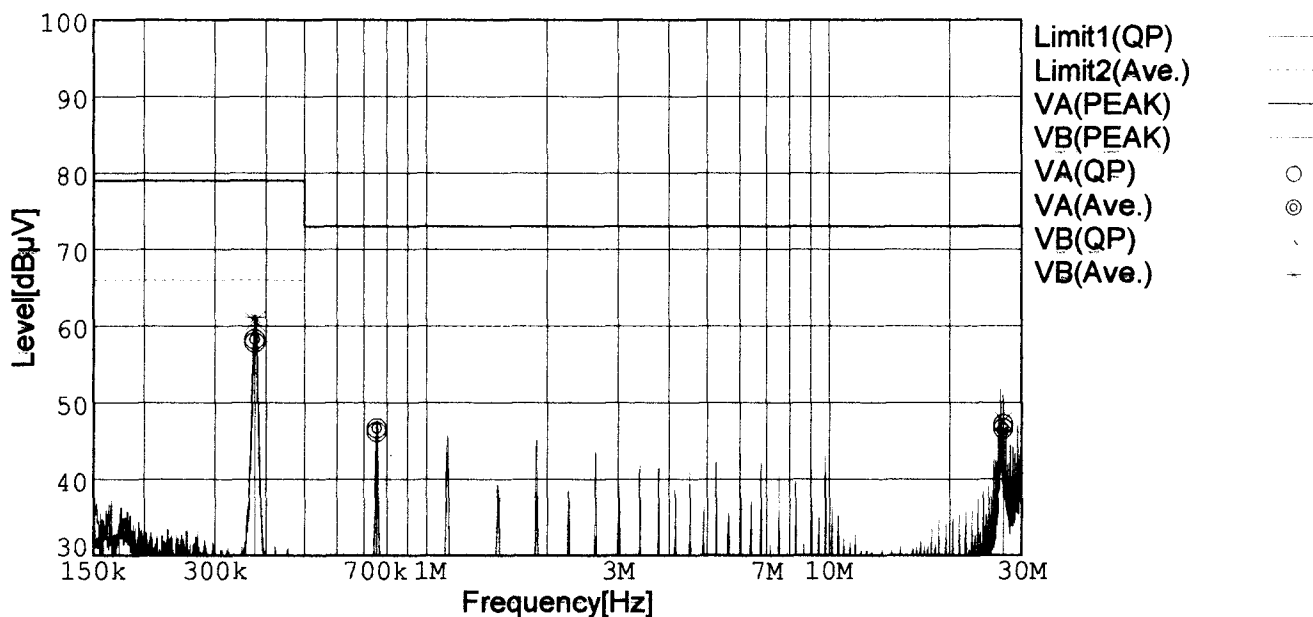
Fig. Testing circuitry



LINE CONDUCTION

Model Name : CDS4004803 Tested by : J.Hatagishi
 Model No. : Temp. : 25degC
 Serial No. : Humi. : 40%
 Points : 3 Date : 2002/3/9 4:39
 Detector : PEAK/QP/Ave. Test Equip. : R3132,ESPC
 Line Mode : VA/VB Comment : Vin=DC48V Io=100% (3.3V 100A)

Limit1: [EN 55022] Class A(QP)
 Limit2: [EN 55022] Class A(Ave.)

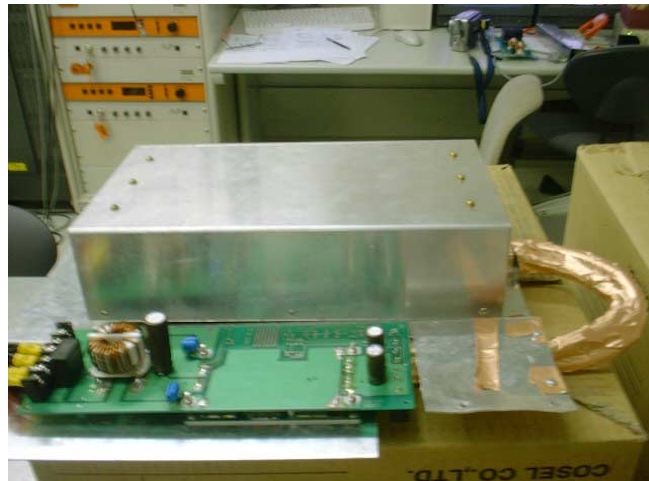


| Frequency [MHz] | Meter Reading (QP) [dBµV] | Meter Reading (Ave.) [dBµV] | Factor [dB] | Level (QP) [dBµV] | Level (Ave.) [dBµV] | Line | Limit (QP) [dBµV] | Limit (Ave.) [dBµV] | Margin (QP)[dB] | Margin (Ave.) [dB] |
|-----------------|---------------------------|-----------------------------|-------------|-------------------|---------------------|------|-------------------|---------------------|-----------------|--------------------|
| 0.3755 | 48.0 | 48.4 | 9.8 | 57.8 | 58.2 | VA | 79.0 | 66.0 | 21.2 | 7.8 |
| 0.7528 | 36.2 | 36.7 | 9.9 | 46.1 | 46.6 | VA | 73.0 | 60.0 | 26.9 | 13.4 |
| 27.0761 | 36.7 | 36.1 | 10.4 | 47.1 | 46.5 | VA | 73.0 | 60.0 | 25.9 | 13.5 |
| 0.3757 | 50.8 | 51.3 | 9.8 | 60.6 | 61.1 | VB | 79.0 | 66.0 | 18.4 | 4.9 |
| 27.0709 | 37.1 | 36.0 | 10.4 | 47.5 | 46.4 | VB | 73.0 | 60.0 | 25.5 | 13.6 |

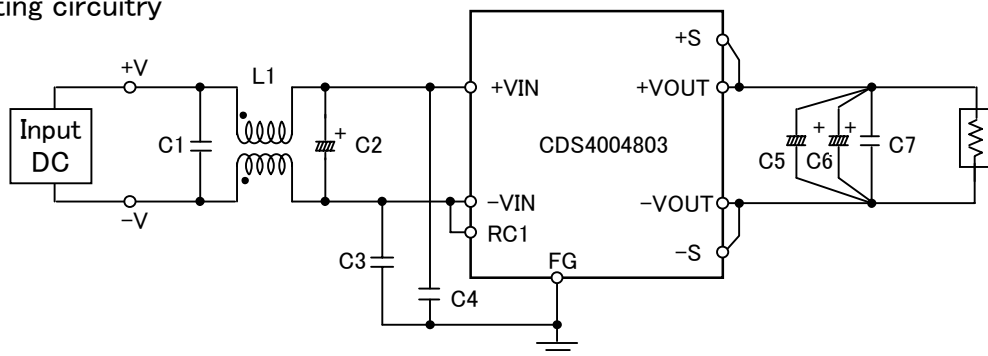
Conditions

Date 2002/3/9

Test : LINE CONDUCTION
 Model Name : CDS4004803
 ○Photographs of Test Set-Up



○Testing circuitry



- | | | |
|-------|----------------------|-----------------------|
| L1 | : 1mH | SC15-10JH (TOKIN) |
| C1 | : 0.68 μ F | CFJC22E684M (NITSUKO) |
| C2 | : 100V 470 μ F | PM series (NICHICON) |
| C3,C4 | : 630V 0.033 μ F | MDS22J333K (NITSUKO) |
| C5,C6 | : 10V 3300 μ F | PW series (NICHICON) |
| C7 | : 50V 0.1 μ F | MDD21H104M (NITSUKO) |

Fig. Testing circuitry