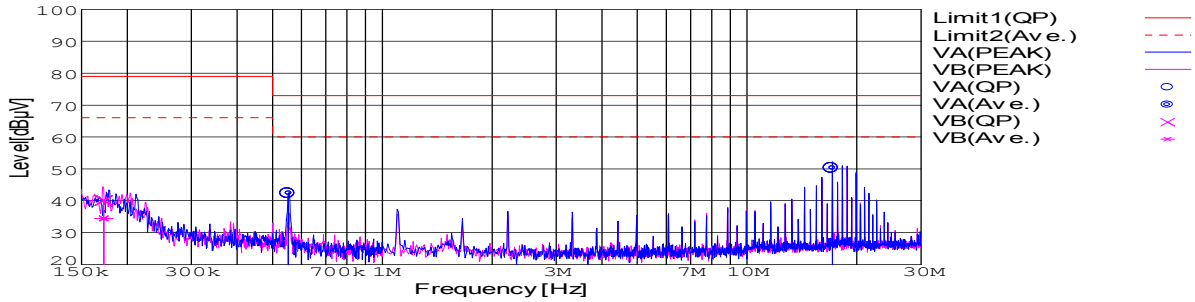


DATA SHEET		Date	04-Oct-07
Model	SFS30483R3	Temp.	25 degreeC
Test	EMI Line conduction & Radiated emission	Humid.	45 %RH
		Tested by	Y.Miyawaki

LINE CONDUCTION

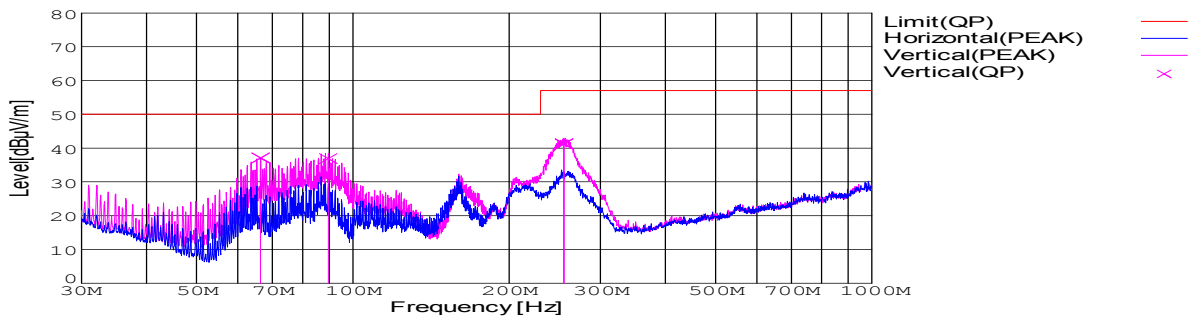
Model Name : SFS30483R3 Temp. : 25degreeC
 Model No. : Humi. : 45%
 Serial No. : Date : 2007/10/4 18:28
 Points : 3 Test Equip. : R3132,ESPC
 Detector : PEAK/QP/Ave. Load Line : 100mm
 Line Mode : VA/VB Comment : Vo = 3.3V , Io = 9.0A
 Power Supply : DC 48V
 Limit1: [CISPR Pub11] Class A Gr.1(QP)
 Limit2: [CISPR Pub11] Class A Gr.1(Ave.)



Frequency [MHz]	Meter Reading (Ave.) [dBuV]	Meter Reading (QP) [dBuV]	Factor [dB]	Level(Ave.) [dBuV]	Level(QP) [dBuV]	Line	Limit(Ave.) [dBuV]	Limit(QP) [dBuV]	Margin(Ave.) [dB]	Margin(QP) [dB]
0.5527	32.4	32.4	9.9	42.3	42.3	VA	60	73	17.7	30.7
17.1243	40	40.1	10.2	50.2	50.3	VA	60	73	9.8	22.7
0.1724	24.7	30.3	9.8	34.5	40.1	VB	66	79	31.5	38.9

RADIATED EMISSION

Model Name : SFS30483R3 Temp. : 25degreeC
 Model No. : Humi. : 45%
 Serial No. : Date : 2007/10/4 18:41
 Points : 3 Test Equip. : R3132,ESPC
 Detector : PEAK/QP Load Line : 100mm
 Polarization : Vertical Comment : Vo = 3.3V , Io = 9.0A
 Power Supply : DC 48V
 Limit: [CISPR 11] Class A Group 1<3m>



Frequency [MHz]	Meter Reading (QP) [dBuV]	Ant. Type	Antenna Factor [dB/m]	Cable & Preamp [dB]	Level(QP) [dBuV/m]	Angle [°]	Height [cm]	Polar.	Limit [dBuV/m]	Margin [dB]
89.656	60.3	BL	8.5	-31.9	36.9	133	105	Vert.	50	13.1
66.401	64.1	BL	5	-32	37.1	311	117	Vert.	50	12.9
255.136	59.2	BL	13.1	-31.1	41.2	190	144	Vert.	57	15.8

DATA SHEET		Date	04-Oct-07
Model	SFS30483R3	Temp.	25 degreeC
Test	EMI Line conduction & Radiated emission	Humid.	45 %RH
		Tested by	Y.Miyawaki

1. Conditions

(1) Photograph of Test Set-Up

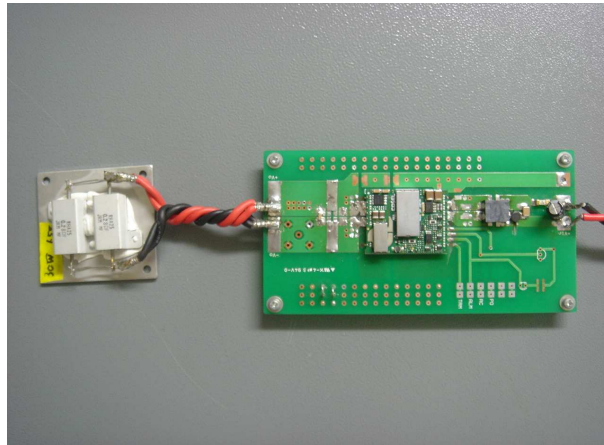
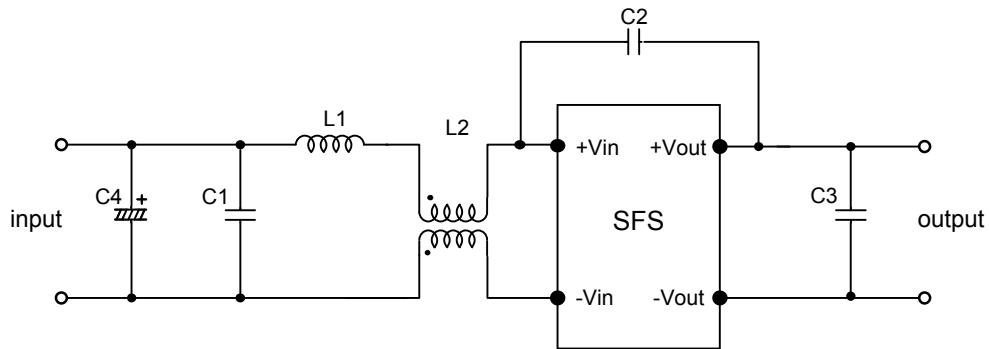


Fig1. Photograph of Test Set-Up

(2) Testing circuitry



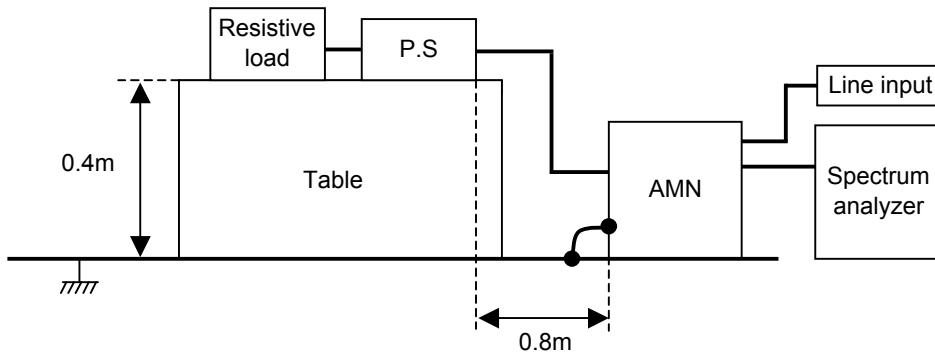
C1: 1 μ F 100V Ceramic capacitor
 C2: 2200pF 630V Ceramic capacitor
 C3: 22 μ F 16V Ceramic capacitor
 C4: 22 μ F 100V Electric capacitor

L1: 1 μ H 2.4A Inductor
 L2: ACM1211-102-2PL : TDK

Fig2. Testing circuitry

DATA SHEET		Date	04-Oct-07
Model	Circuit used for measurement	Temp.	25 degreeC
Test	EMI Line conduction & Radiated emission	Humid.	45 %RH
		Tested by	Y.Miyawaki

1. Line conduction



2. Radiated emission

