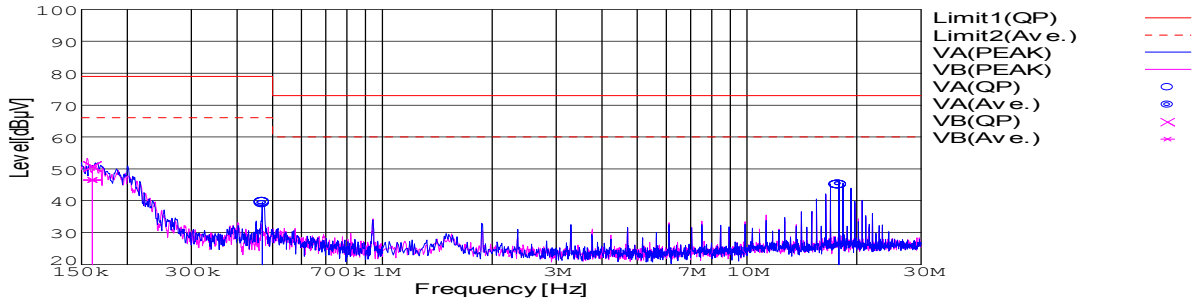


DATA SHEET		Date	04-Oct-07
Model	SFS30481R8	Temp.	25 degreeC
Test	EMI Line conduction & Radiated emission	Humid.	45 %RH
		Tested by	Y.Miyawaki

LINE CONDUCTION

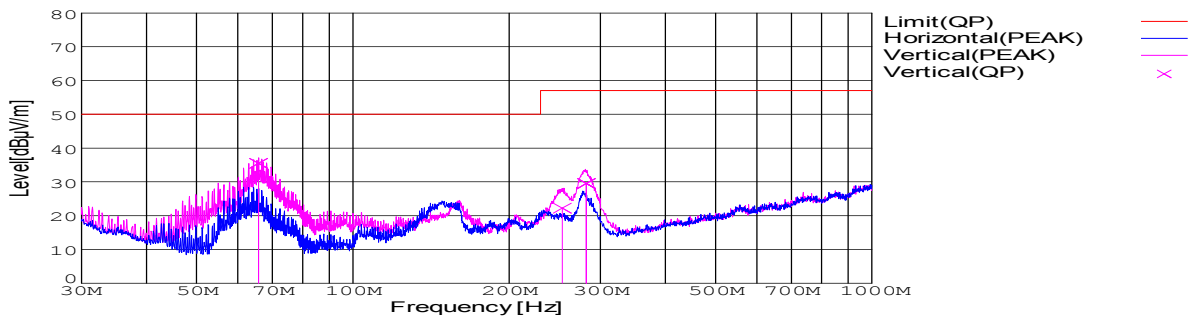
Model Name : SFS30481R8 Temp. : 25degreeC
 Model No. : Humi. : 45%
 Serial No. : Date : 2007/10/4 9:28
 Points : 3 Test Equip. : R3132,ESPC
 Detector : PEAK/QP/Ave. Load Line : 100mm
 Line Mode : VA/VB Comment : Vo = 1.8V , Io = 9.0A
 Power Supply : DC 48V
 Limit1: [CISPR Pub11] Class A Gr.1(QP)
 Limit2: [CISPR Pub11] Class A Gr.1(Ave.)



Frequency [MHz]	Meter Reading (Ave.) [dBuV]	Meter Reading (QP) [dBuV]	Factor [dB]	Level(Ave.) [dBuV]	Level(QP) [dBuV]	Line	Limit(Ave.) [dBuV]	Limit(QP) [dBuV]	Margin(Ave.) [dB]	Margin(QP) [dB]
0.4696	29.4	29.7	9.9	39.3	39.6	VA	66	79	26.7	39.4
17.8566	34.9	34.8	10.2	45.1	45	VA	60	73	14.9	28
0.1605	36.7	40.9	9.8	46.5	50.7	VB	66	79	19.5	28.3

RADIATED EMISSION

Model Name : SFS30481R8 Temp. : 25degreeC
 Model No. : Humi. : 45%
 Serial No. : Date : 2007/10/4 14:45
 Points : 3 Test Equip. : R3132,ESPC
 Detector : PEAK/QP Load Line : 100mm
 Polarization : Vertical Comment : Vo = 1.8V , Io = 9.0A
 Power Supply : DC 48V
 Limit: [CISPR 11] Class A Group 1<3m>



Frequency [MHz]	Meter Reading (QP) [dBuV]	Ant. Type	Antenna Factor [dB/m]	Cable & Preamp [dB]	Level(QP) [dBuV/m]	Angle [°]	Height [cm]	Polar.	Limit [dBuV/m]	Margin [dB]
65.808	62.6	BL	4.9	-32	35.5	311	124	Vert.	50	14.5
281.873	47.9	BL	12.6	-31	29.5	211	106	Vert.	57	27.5
253.284	40.5	BL	12.8	-31.1	22.2	202	140	Vert.	57	34.8

DATA SHEET		Date	04-Oct-07
Model	SFS30481R8	Temp.	degreeC degree
Test	EMI Line conduction & Radiated emission	Humid.	45 %RH
		Tested by	Y.Miyawaki

1. Conditions

(1) Photograph of Test Set-Up

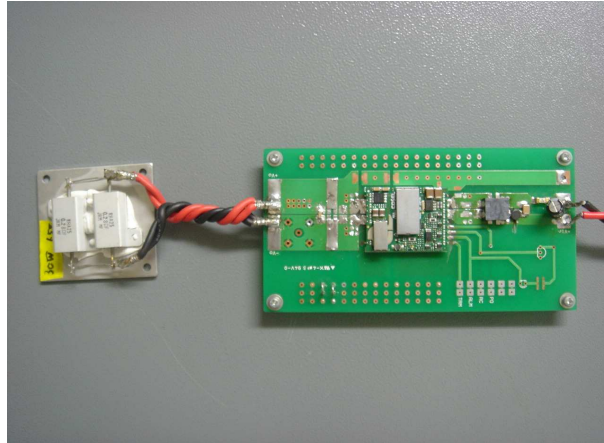
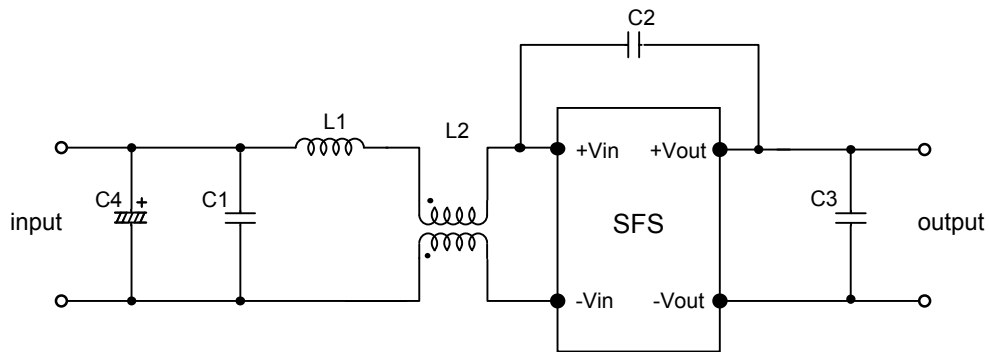


Fig1. Photograph of Test Set-Up

(2) Testing circuitry

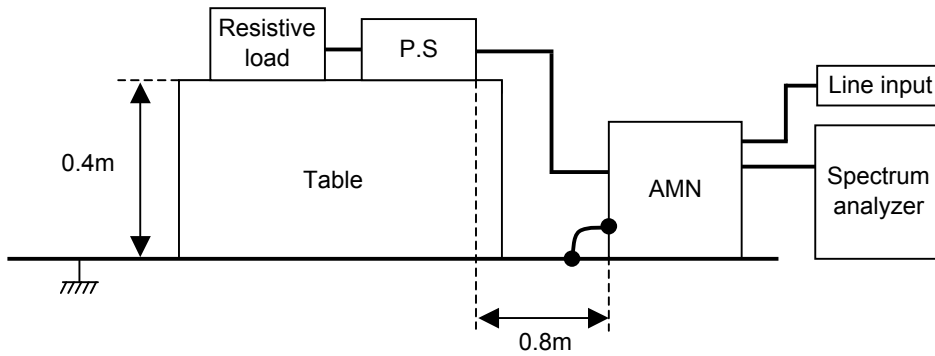


- C1: 1 μ F 100V Ceramic capacitor
- C2: 2200pF 630V Ceramic capacitor
- C3: 22 μ F 16V Ceramic capacitor
- C4: 22 μ F 100V Electric capacitor
- L1: 1 μ H 2.4A Inductor
- L2: ACM1211-102-2PL : TDK

Fig2. Testing circuitry

DATA SHEET		Date	04-Oct-07
Model	Circuit used for measurement	Temp.	degreeC degree
Test	EMI Line conduction & Radiated emission	Humid.	45 %RH
		Tested by	Y.Miyawaki

1. Line conduction



2. Radiated emission

