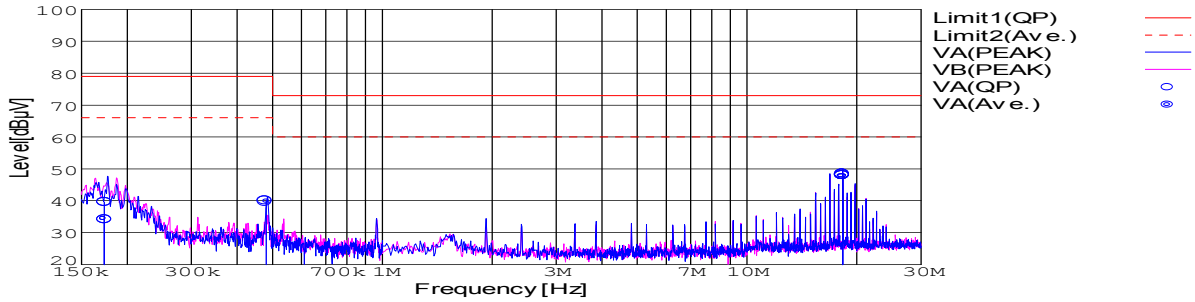


| DATA SHEET | | Date | 04-Oct-07 |
|------------|--------------------------------------------|-----------|------------|
| Model | SFS30481R2 | Temp. | 25 degreeC |
| Test | EMI Line conduction & Radiated emission | Humid. | 45 %RH |
| | | Tested by | Y.Miyawaki |

LINE CONDUCTION

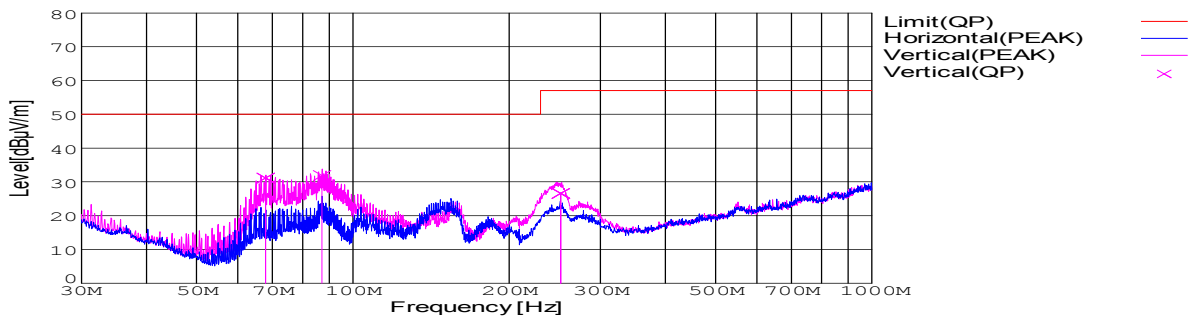
Model Name : SFS30481R2 Temp. : 25degreeC
 Model No. : Humi. : 45%
 Serial No. : Date : 2007/10/4 13:41
 Points : 3 Test Equip. : R3132,ESPC
 Detector : PEAK/QP/Ave. Load Line : 100mm
 Line Mode : VA Comment : Vo = 1.2V , Io = 10.4A
 Power Supply : DC 48V
 Limit1: [CISPR Pub11] Class A Gr.1(QP)
 Limit2: [CISPR Pub11] Class A Gr.1(Ave.)



| Frequency [MHz] | Meter Reading (Ave.) [dBuV] | Meter Reading (QP) [dBuV] | Factor [dB] | Level(Ave.) [dBuV] | Level(QP) [dBuV] | Line | Limit(Ave.) [dBuV] | Limit(QP) [dBuV] | Margin(Ave.) [dB] | Margin(QP) [dB] |
|-----------------|-----------------------------|---------------------------|-------------|--------------------|------------------|------|--------------------|------------------|-------------------|-----------------|
| 0.1731 | 24.4 | 29.7 | 9.8 | 34.2 | 39.5 | VA | 66 | 79 | 31.8 | 39.5 |
| 0.4814 | 29.9 | 30.2 | 9.9 | 39.8 | 40.1 | VA | 66 | 79 | 26.2 | 38.9 |
| 18.2856 | 37.8 | 38 | 10.2 | 48 | 48.2 | VA | 60 | 73 | 12 | 24.8 |

RADIATED EMISSION

Model Name : SFS30481R2 Temp. : 25degreeC
 Model No. : Humi. : 45%
 Serial No. : Date : 2007/10/4 13:28
 Points : 3 Test Equip. : R3132,ESPC
 Detector : PEAK/QP Polarization : Vertical Load Line : 100mm
 Power Supply : DC 48V Comment : Vo = 1.2V , Io = 10.4A
 Limit: [CISPR 11] Class A Group 1<3m>



| Frequency [MHz] | Meter Reading (QP) [dBuV] | Ant. Type | Antenna Factor [dB/m] | Cable & Preamp [dB] | Level(QP) [dBuV/m] | Angle [°] | Height [cm] | Polar. | Limit [dBuV/m] | Margin [dB] |
|-----------------|---------------------------|-----------|-----------------------|---------------------|--------------------|-----------|-------------|--------|----------------|-------------|
| 87.229 | 55.6 | BL | 8.2 | -31.9 | 31.9 | 78 | 107 | Vert. | 50 | 18.1 |
| 251.436 | 45.1 | BL | 12.6 | -31.1 | 26.6 | 218 | 143 | Vert. | 57 | 30.4 |
| 67.951 | 58 | BL | 5.2 | -32 | 31.2 | 203 | 107 | Vert. | 50 | 18.8 |

| DATA SHEET | | Date | 04-Oct-07 |
|------------|--------------------------------------------|-----------|------------|
| Model | SFS30481R2 | Temp. | 25 degreeC |
| Test | EMI Line conduction & Radiated emission | Humid. | 45 %RH |
| | | Tested by | Y.Miyawaki |

1. Conditions

(1) Photograph of Test Set-Up

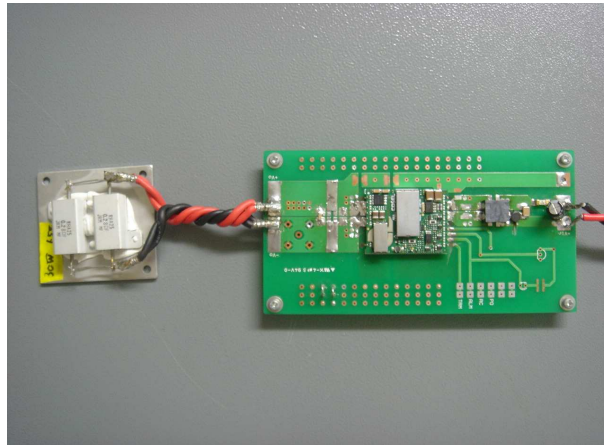
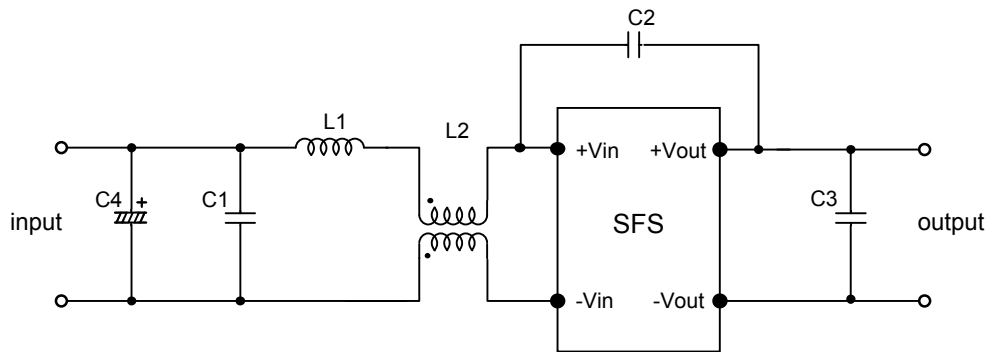


Fig1. Photograph of Test Set-Up

(2) Testing circuitry



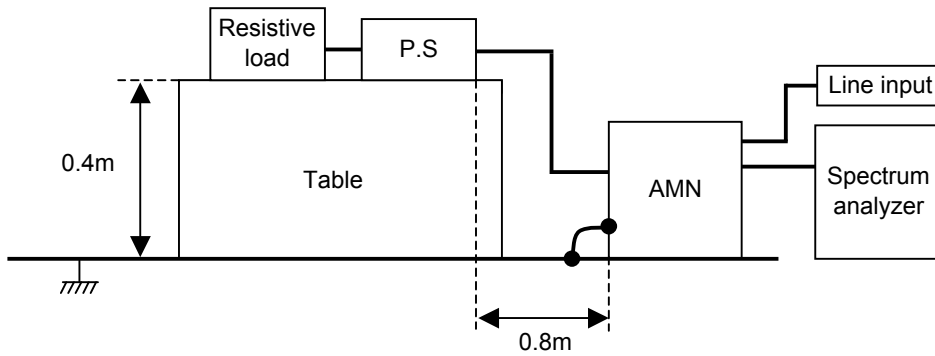
C1: 1 μ F 100V Ceramic capacitor
 C2: 2200pF 630V Ceramic capacitor
 C3: 22 μ F 16V Ceramic capacitor
 C4: 22 μ F 100V Electric capacitor

L1: 1 μ H 2.4A Inductor
 L2: ACM1211-102-2PL : TDK

Fig2. Testing circuitry

| DATA SHEET | | Date | 04-Oct-07 |
|------------|--------------------------------------------|-----------|------------|
| Model | Circuit used for measurement | Temp. | 25 degreeC |
| Test | EMI Line conduction & Radiated emission | Humid. | 45 %RH |
| | | Tested by | Y.Miyawaki |

1. Line conduction



2. Radiated emission

