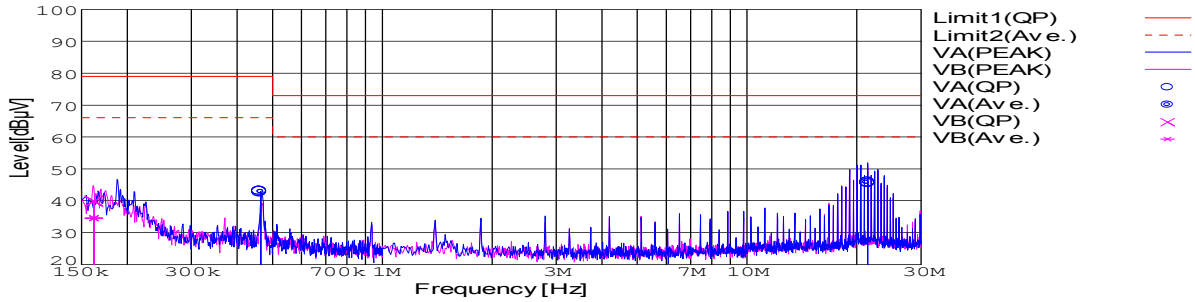


DATA SHEET		Date	04-Oct-07
Model	SFS304815	Temp.	25 degreeC
Test	EMI Line conduction & Radiated emission	Humid.	45 %RH
		Tested by	Y.Miyawaki

**LINE CONDUCTION**

Model Name : SFS304815  
 Model No. :  
 Serial No. :  
 Points : 3  
 Detector : PEAK/QP/Ave.  
 Line Mode : VA/VB  
 Power Supply : DC 48V  
 Limit1: [CISPR Pub11] Class A Gr.1(QP)  
 Limit2: [CISPR Pub11] Class A Gr.1(Ave.)

Temp. : 25degreeC  
 Humi. : 45%  
 Date : 2007/10/4 21:19  
 Test Equip. : R3132,ESPC  
 Load Line : 100mm  
 Comment : Vo = 15.0V , Io = 2.0A

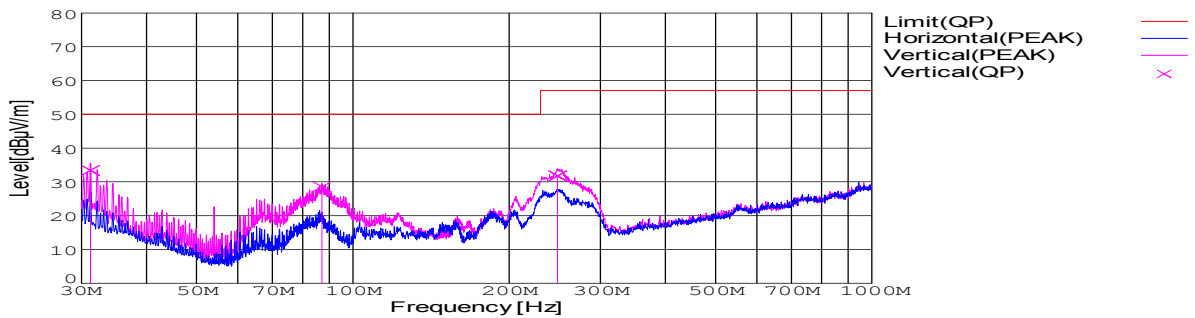


Frequency [MHz]	Meter Reading (Ave.) [dBuV]	Meter Reading (QP) [dBuV]	Factor [dB]	Level(Ave.) [dBuV]	Level(QP) [dBuV]	Line	Limit(Ave.) [dBuV]	Limit(QP) [dBuV]	Margin(Ave.) [dB]	Margin(QP) [dB]
0.4645	33	32.9	9.9	42.9	42.8	VA	66	79	23.1	36.2
21.4125	35.4	35.4	10.3	45.7	45.7	VA	60	73	14.3	27.3
0.162	24.7	30.1	9.8	34.5	39.9	VB	66	79	31.5	39.1

**RADIATED EMISSION**

Model Name : SFS304815  
 Model No. :  
 Serial No. :  
 Points : 3  
 Detector : PEAK/QP  
 Polarization : Vertical  
 Power Supply : DC 48V  
 Limit: [CISPR 11] Class A Group 1<3m>

Temp. : 25degreeC  
 Humi. : 45%  
 Date : 2007/10/4 21:33  
 Test Equip. : R3132,ESPC  
 Load Line : 100mm  
 Comment : Vo = 15.0V , Io = 2.0A



Frequency [MHz]	MeterReading (QP) [dBuV]	Ant. Type	Antenna Factor [dB/m]	Cable & Preamp [dB]	Level(QP) [dBuV/m]	Angle [°]	Height [cm]	Polar.	Limit [dBuV/m]	Margin [dB]
31.224	48.1	BL	17.6	-32.3	33.4	96	104	Vert.	50	16.6
247.994	50.8	BL	12.1	-31.1	31.8	205	121	Vert.	57	25.2
87.158	52.2	BL	8.2	-31.9	28.5	153	117	Vert.	50	21.5

DATA SHEET		Date	04-Oct-07
Model	SFS304815	Temp.	25 degreeC
Test	EMI Line conduction & Radiated emission	Humid.	45 %RH
		Tested by	Y.Miyawaki

## 1. Conditions

### (1) Photograph of Test Set-Up

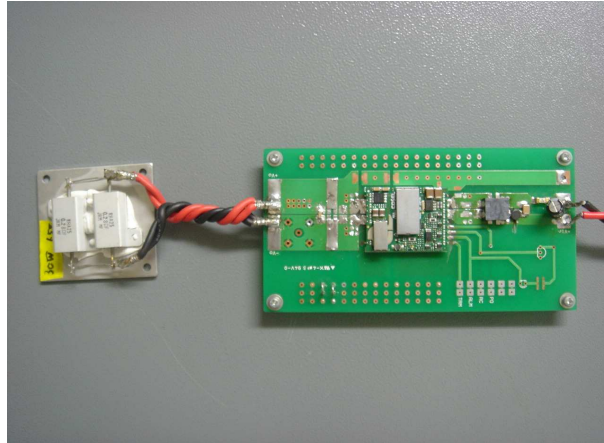
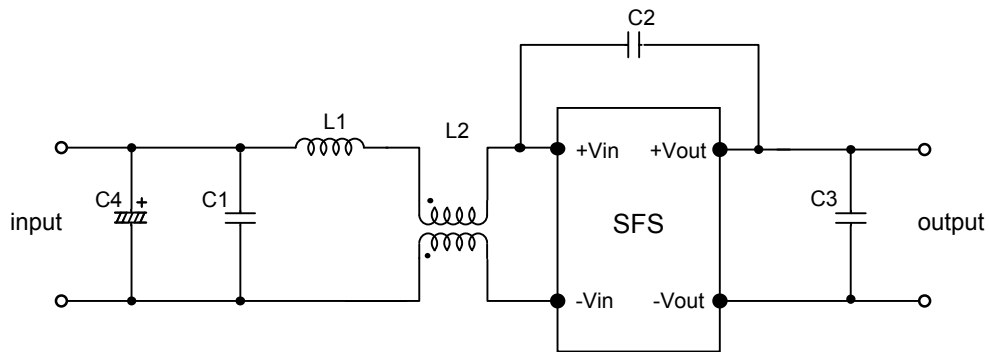


Fig1. Photograph of Test Set-Up

### (2) Testing circuitry



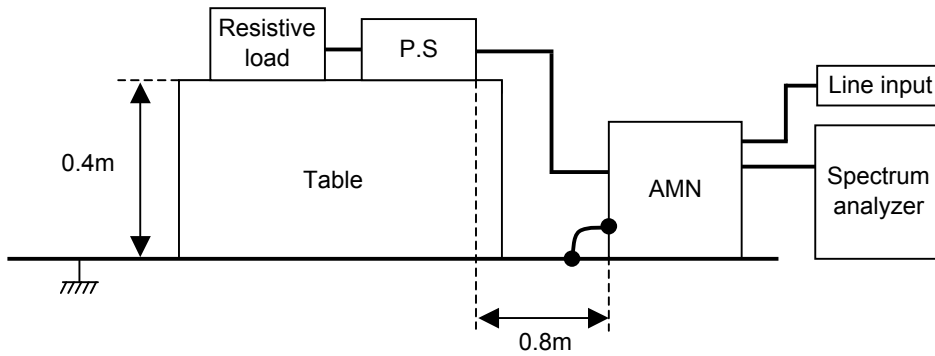
C1: 1 $\mu$ F 100V Ceramic capacitor  
 C2: 2200pF 630V Ceramic capacitor  
 C3: 0.1 $\mu$ F 50V Ceramic capacitor  
 C4: 22 $\mu$ F 100V Electric capacitor

L1: 1 $\mu$ H 2.4A Inductor  
 L2: ACM1211-102-2PL : TDK

Fig2. Testing circuitry

DATA SHEET		Date	04-Oct-07
Model	Circuit used for measurement	Temp.	25 degreeC
Test	EMI Line conduction & Radiated emission	Humid.	45 %RH
		Tested by	Y.Miyawaki

## 1. Line conduction



## 2. Radiated emission

