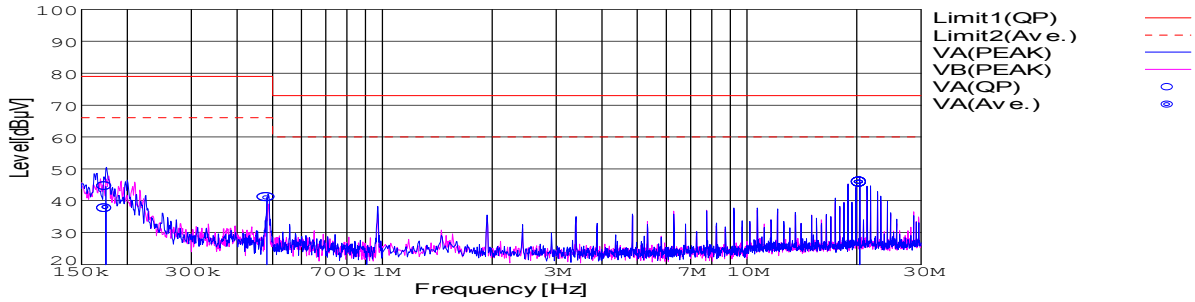


DATA SHEET		Date	04-Oct-07
Model	SFS304810	Temp.	25 degreeC
Test	EMI Line conduction & Radiated emission	Humid.	45 %RH
		Tested by	Y.Miyawaki

**LINE CONDUCTION**

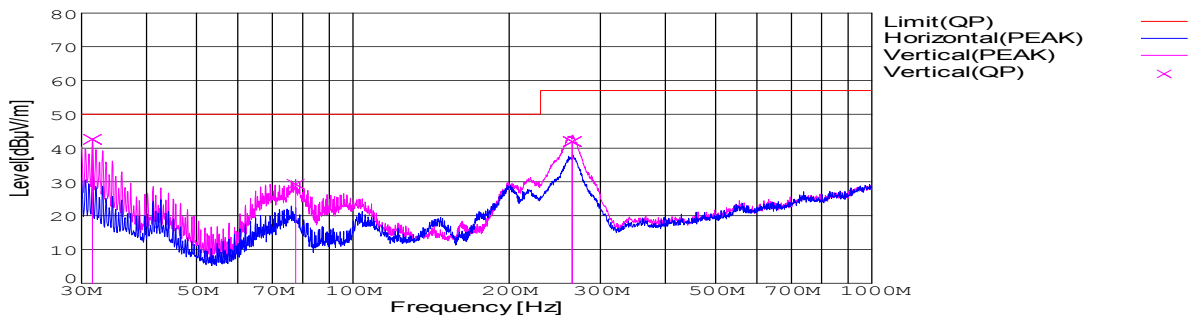
Model Name : SFS304810 Temp. : 25degreeC  
 Model No. : Humi. : 45%  
 Serial No. : Date : 2007/10/4 19:52  
 Points : 3 Test Equip. : R3132,ESPC  
 Detector : PEAK/QP/Ave. Load Line : 100mm  
 Line Mode : VA Comment : Vo = 10.0V , Io = 3.0A  
 Power Supply : DC 48V  
 Limit1: [CISPR Pub11] Class A Gr.1(QP)  
 Limit2: [CISPR Pub11] Class A Gr.1(Ave.)



Frequency [MHz]	Meter Reading (Ave.) [dBuV]	Meter Reading (QP) [dBuV]	Factor [dB]	Level(Ave.) [dBuV]	Level(QP) [dBuV]	Line	Limit(Ave.) [dBuV]	Limit(QP) [dBuV]	Margin(Ave.) [dB]	Margin(QP) [dB]
0.1749	28	34.7	9.8	37.8	44.5	VA	66	79	28.2	34.5
0.4823	31.1	31.2	9.9	41	41.1	VA	66	79	25	37.9
20.3456	35.5	35.4	10.3	45.8	45.7	VA	60	73	14.2	27.3

**RADIATED EMISSION**

Model Name : SFS304810 Temp. : 25degreeC  
 Model No. : Humi. : 45%  
 Serial No. : Date : 2007/10/4 20:04  
 Points : 3 Test Equip. : R3132,ESPC  
 Detector : PEAK/QP Load Line : 100mm  
 Polarization : Vertical Comment : Vo = 10.0V , Io = 3.0A  
 Power Supply : DC 48V  
 Limit: [CISPR 11] Class A Group 1<3m>



Frequency [MHz]	MeterReading (QP) [dBuV]	Ant. Type	Antenna Factor [dB/m]	Cable & Preamp [dB]	Level(QP) [dBuV/m]	Angle [°]	Height [cm]	Polar.	Limit [dBuV/m]	Margin [dB]
31.497	57.3	BL	17.5	-32.2	42.6	120	108	Vert.	50	7.4
264.704	59.9	BL	13.1	-31.1	41.9	228	122	Vert.	57	15.1
77.558	54.5	BL	6.7	-31.9	29.3	87	128	Vert.	50	20.7

DATA SHEET		Date	04-Oct-07
Model	SFS304810	Temp.	25 degreeC
Test	EMI Line conduction & Radiated emission	Humid.	45 %RH
		Tested by	Y.Miyawaki

## 1. Conditions

### (1) Photograph of Test Set-Up

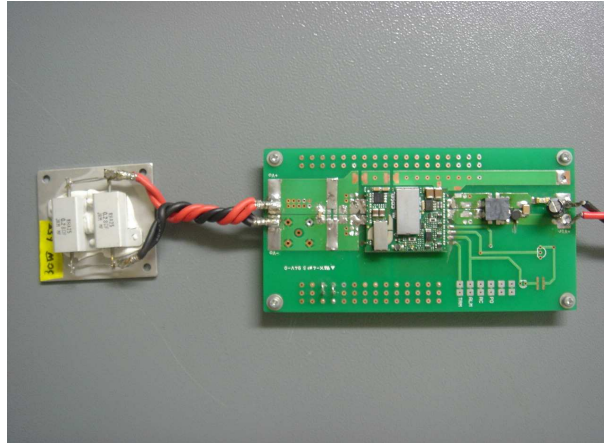
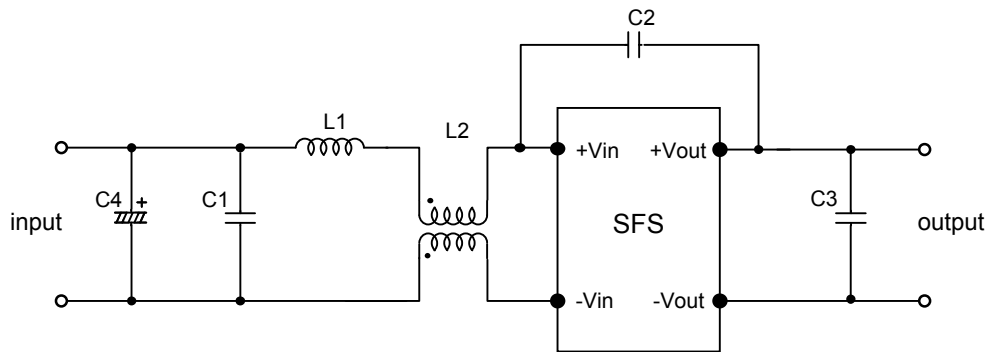


Fig1. Photograph of Test Set-Up

### (2) Testing circuitry



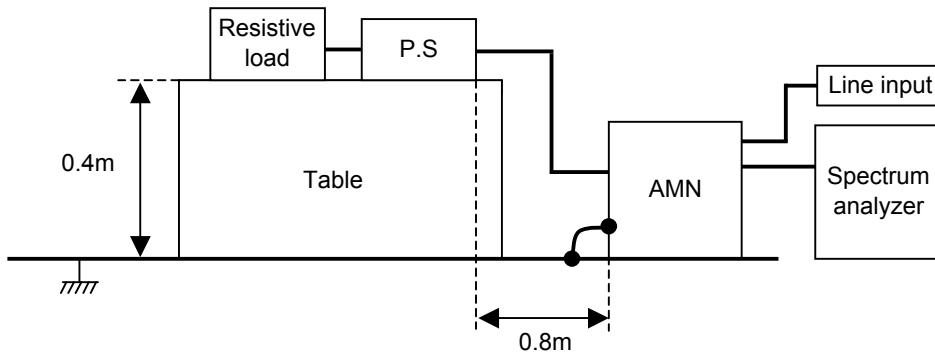
C1: 1 $\mu$ F 100V Ceramic capacitor  
 C2: 2200pF 630V Ceramic capacitor  
 C3: 0.1 $\mu$ F 50V Ceramic capacitor  
 C4: 22 $\mu$ F 100V Electric capacitor

L1: 1 $\mu$ H 2.4A Inductor  
 L2: ACM1211-102-2PL : TDK

Fig2. Testing circuitry

DATA SHEET		Date	04-Oct-07
Model	Circuit used for measurement	Temp.	25 degreeC
Test	EMI Line conduction & Radiated emission	Humid.	45 %RH
		Tested by	Y.Miyawaki

## 1. Line conduction



## 2. Radiated emission

