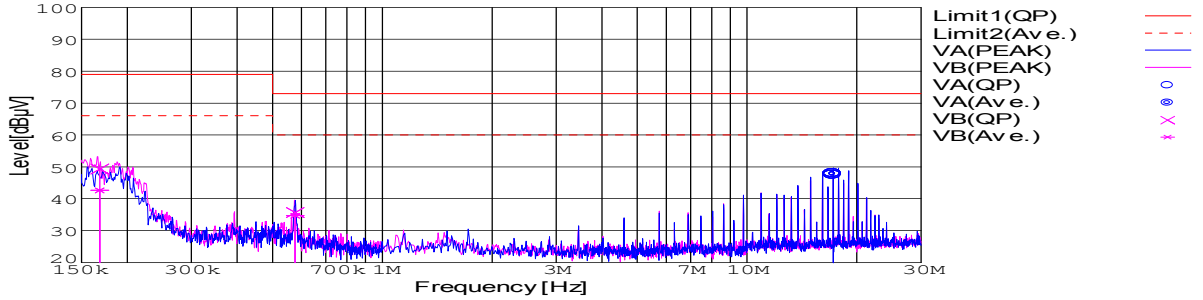


DATA SHEET		Date	09-Oct-07
Model	SFS30243R3	Temp.	25 degreeC
Test	EMI Line conduction & Radiated emission	Humid.	45 %RH
		Tested by	Y.Miyawaki

LINE CONDUCTION

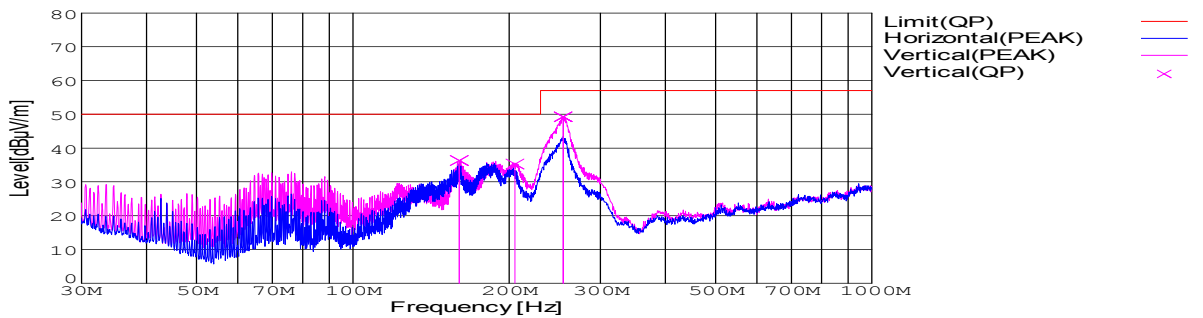
Model Name : SFS30243R3 Temp. : 25degreeC
 Model No. : Humi. : 45%
 Serial No. : Date : 2007/10/9 15:16
 Points : 3 Test Equip. : R3132,ESPC
 Detector : PEAK/QP/Ave. Load Line : 100mm
 Line Mode : VA/VB Comment : Vo = 3.3V , Io = 9.0A
 Power Supply : DC 24V
 Limit1: [CISPR Pub11] Class A Gr.1(QP)
 Limit2: [CISPR Pub11] Class A Gr.1(Ave.)



Frequency [MHz]	Meter Reading (Ave.) [dBuV]	Meter Reading (QP) [dBuV]	Factor [dB]	Level(Ave.) [dBuV]	Level(QP) [dBuV]	Line	Limit(Ave.) [dBuV]	Limit(QP) [dBuV]	Margin(Ave.) [dB]	Margin(QP) [dB]
17.2214	37.4	37.9	10.2	47.6	48.1	VA	60	73	12.4	24.9
0.1681	32.8	39.5	9.8	42.6	49.3	VB	66	79	23.4	29.7
0.5772	24.8	25.8	9.9	34.7	35.7	VB	60	73	25.3	37.3

RADIATED EMISSION

Model Name : SFS30243R3 Temp. : 25degreeC
 Model No. : Humi. : 45%
 Serial No. : Date : 2007/10/9 15:27
 Points : 3 Test Equip. : R3132,ESPC
 Detector : PEAK/QP Polarization : Vertical Load Line : 100mm
 Power Supply : DC 24V Comment : Vo = 3.3V , Io = 9.0A
 Limit: [CISPR 11] Class A Group 1<3m>



Frequency [MHz]	Meter Reading (QP) [dBuV]	Ant. Type	Antenna Factor [dB/m]	Cable & Preamp [dB]	Level(QP) [dBuV/m]	Angle [°]	Height [cm]	Polar.	Limit [dBuV/m]	Margin [dB]
160.285	57.9	BL	9.9	-31.5	36.3	0	159	Vert.	50	13.7
205.198	58	BL	8.6	-31.3	35.3	183	115	Vert.	50	14.7
254.211	67.5	BL	12.9	-31.1	49.3	230	125	Vert.	57	7.7

DATA SHEET		Date	09-Oct-07
Model	SFS30243R3	Temp.	25 degreeC
Test	EMI Line conduction & Radiated emission	Humid.	45 %RH
		Tested by	Y.Miyawaki

1. Conditions

(1) Photograph of Test Set-Up

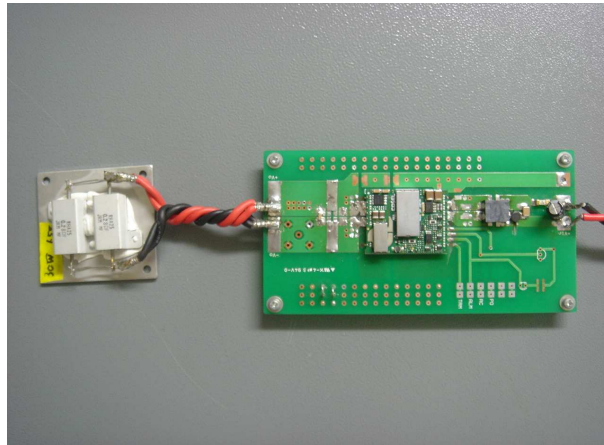
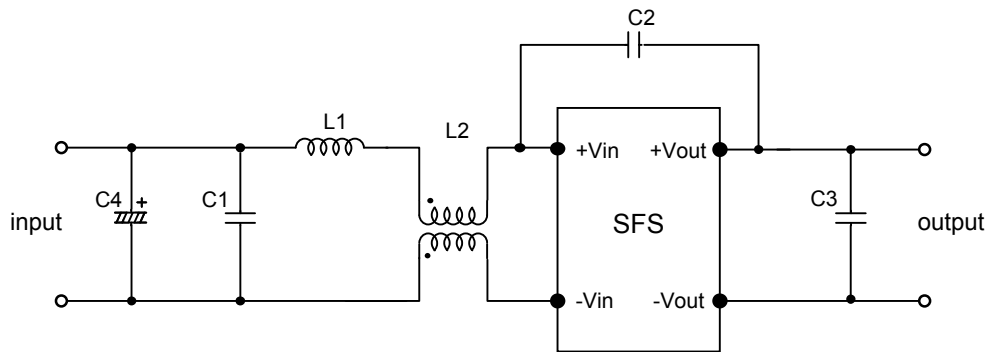


Fig1. Photograph of Test Set-Up

(2) Testing circuitry



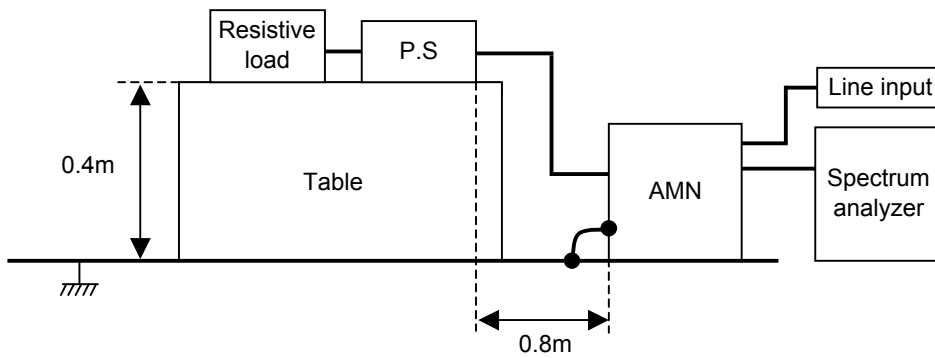
C1: 1 μ F 100V Ceramic capacitor
 C2: 2200pF 630V Ceramic capacitor
 C3: 22 μ F 16V Ceramic capacitor
 C4: 68 μ F 80V Electric capacitor

L1: 1 μ H 2.4A Inductor
 L2: ACM1211-102-2PL : TDK

Fig2. Testing circuitry

DATA SHEET		Date	09-Oct-07
Model	Circuit used for measurement	Temp.	25 degreeC
Test	EMI Line conduction & Radiated emission	Humid.	45 %RH
		Tested by	Y.Miyawaki

1. Line conduction



2. Radiated emission

