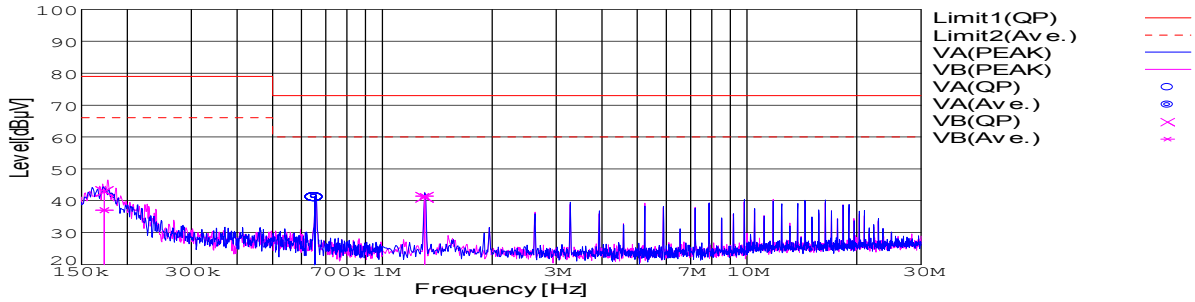


DATA SHEET		Date	10-Oct-07
Model	SFS20481R8	Temp.	25 degreeC
Test	EMI Line conduction & Radiated emission	Humid.	45 %RH
		Tested by	Y.Miyawaki

LINE CONDUCTION

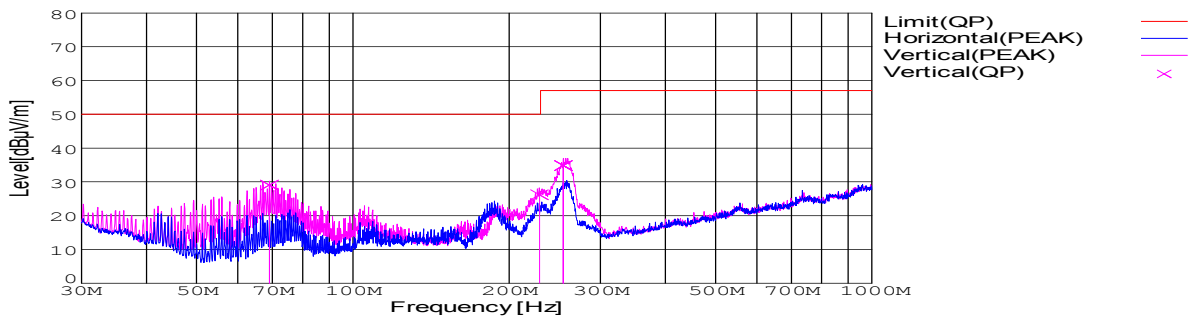
Model Name : SFS20481R8 Temp. : 25degreeC
 Model No. : Humi. : 45%
 Serial No. : Date : 2007/10/10 15:36
 Points : 3 Test Equip. : R3132,ESPC
 Detector : PEAK/QP/Ave. Load Line : 100mm
 Line Mode : VA/VB Comment : Vo = 1.8V , Io = 8.0A
 Power Supply : DC 48V
 Limit1: [CISPR Pub11] Class A Gr.1(QP)
 Limit2: [CISPR Pub11] Class A Gr.1(Ave.)



Frequency [MHz]	Meter Reading (Ave.) [dBuV]	Meter Reading (QP) [dBuV]	Factor [dB]	Level(Ave.) [dBuV]	Level(QP) [dBuV]	Line	Limit(Ave.) [dBuV]	Limit(QP) [dBuV]	Margin(Ave.) [dB]	Margin(QP) [dB]
0.6529	31.2	31.2	9.9	41.1	41.1	VA	60	73	18.9	31.9
0.1731	27.2	33.1	9.8	37	42.9	VB	66	79	29	36.1
1.3057	31.6	31.2	9.9	41.5	41.1	VB	60	73	18.5	31.9

RADIATED EMISSION

Model Name : SFS20481R8 Temp. : 25degreeC
 Model No. : Humi. : 45%
 Serial No. : Date : 2007/10/10 15:53
 Points : 3 Test Equip. : R3132,ESPC
 Detector : PEAK/QP Load Line : 100mm
 Polarization : Vertical Comment : Vo = 1.8V , Io = 8.0A
 Power Supply : DC 48V
 Limit: [CISPR 11] Class A Group 1<3m>



Frequency [MHz]	Meter Reading (QP) [dBuV]	Ant. Type	Antenna Factor [dB/m]	Cable & Preamp [dB]	Level(QP) [dBuV/m]	Angle [°]	Height [cm]	Polar.	Limit [dBuV/m]	Margin [dB]
69.063	55.7	BL	5.3	-31.9	29.1	355	109	Vert.	50	20.9
228.859	47.7	BL	9.7	-31.2	26.2	182	139	Vert.	50	23.8
254.513	53	BL	13	-31.1	34.9	198	117	Vert.	57	22.1

DATA SHEET		Date	10-Oct-07
Model	SFS20481R8	Temp.	25 degreeC
Test	EMI Line conduction & Radiated emission	Humid.	45 %RH
		Tested by	Y.Miyawaki

1. Conditions

(1) Photograph of Test Set-Up

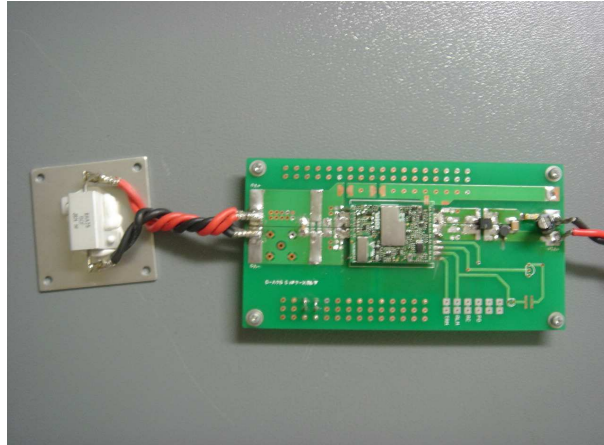
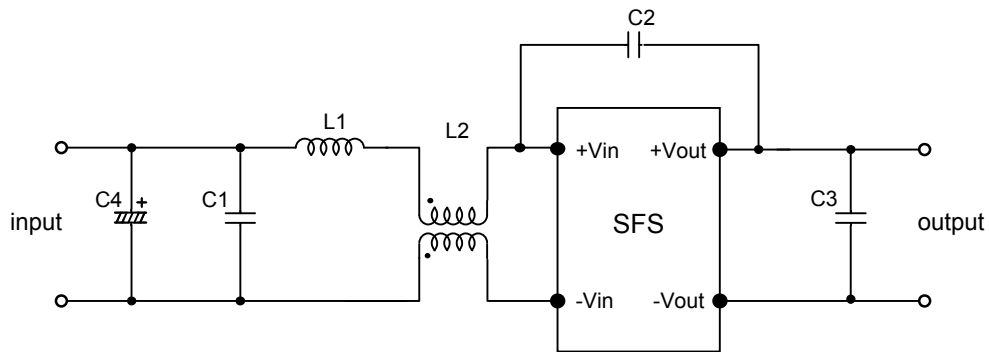


Fig1. Photograph of Test Set-Up

(2) Testing circuitry



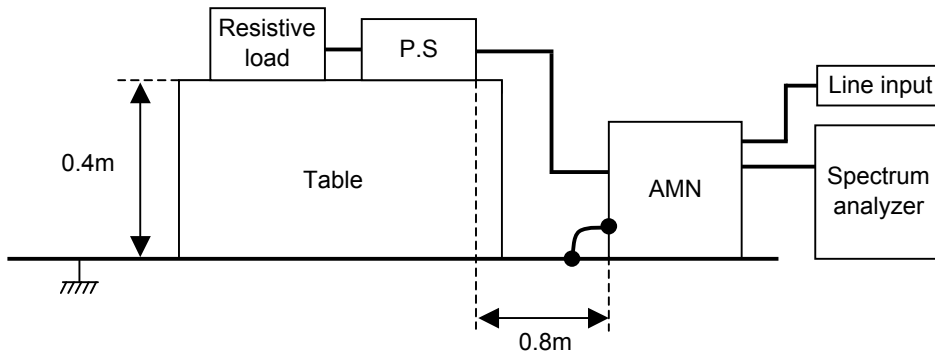
C1: 1 μ F 100V Ceramic capacitor
 C2: 2200pF 630V Ceramic capacitor
 C3: 22 μ F 16V Ceramic capacitor
 C4: 10 μ F 100V Electric capacitor

L1: 1 μ H 2.4A Inductor
 L2: ZJYS51R5-2PT : TDK

Fig2. Testing circuitry

DATA SHEET		Date	10-Oct-07
Model	Circuit used for measurement	Temp.	25 degreeC
Test	EMI Line conduction & Radiated emission	Humid.	45 %RH
		Tested by	Y.Miyawaki

1. Line conduction



2. Radiated emission

