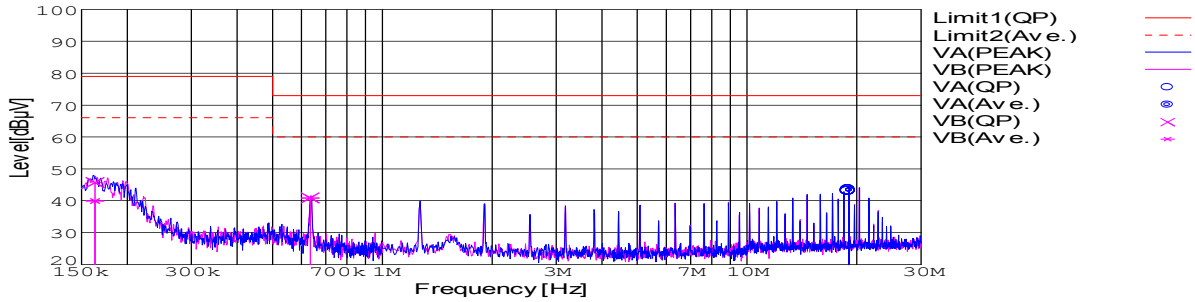


DATA SHEET		Date	10-Oct-07
Model	SFS20481R5	Temp.	25 degreeC
Test	EMI Line conduction & Radiated emission	Humid.	45 %RH
		Tested by	Y.Miyawaki

**LINE CONDUCTION**

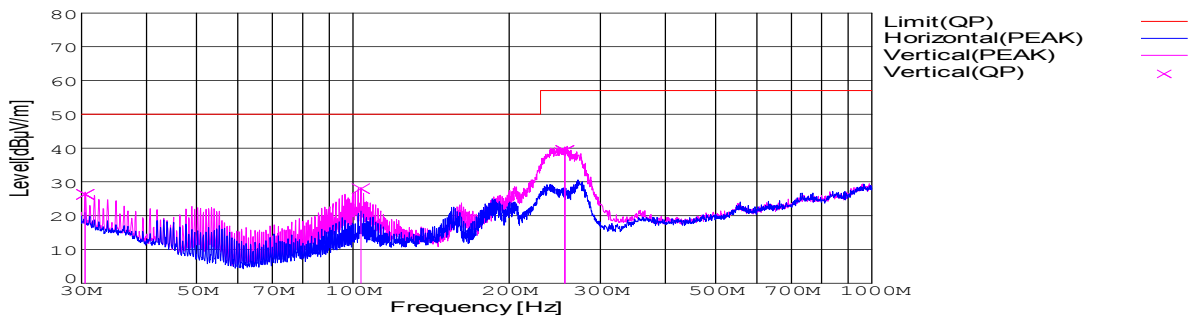
Model Name : SFS20481R5 Temp. : 25degreeC  
 Model No. : Humi. : 45%  
 Serial No. : Date : 2007/10/10 13:37  
 Points : 3 Test Equip. : R3132,ESPC  
 Detector : PEAK/QP/Ave. Load Line : 100mm  
 Line Mode : VA/VB Comment : Vo = 1.5V , Io = 9.0A  
 Power Supply : DC 48V  
 Limit1: [CISPR Pub11] Class A Gr.1(QP)  
 Limit2: [CISPR Pub11] Class A Gr.1(Ave.)



Frequency [MHz]	Meter Reading (Ave.) [dBuV]	Meter Reading (QP) [dBuV]	Factor [dB]	Level(Ave.) [dBuV]	Level(QP) [dBuV]	Line	Limit(Ave.) [dBuV]	Limit(QP) [dBuV]	Margin(Ave.) [dB]	Margin(QP) [dB]
19.0263	33	32.7	10.3	43.3	43	VA	60	73	16.7	30
0.163	30.1	35.9	9.8	39.9	45.7	VB	66	79	26.1	33.3
0.6348	30.9	31	9.9	40.8	40.9	VB	60	73	19.2	32.1

**RADIATED EMISSION**

Model Name : SFS20481R5 Temp. : 25degreeC  
 Model No. : Humi. : 45%  
 Serial No. : Date : 2007/10/10 13:55  
 Points : 3 Test Equip. : R3132,ESPC  
 Detector : PEAK/QP Load Line : 100mm  
 Polarization : Vertical Comment : Vo = 1.5V , Io = 9.0A  
 Power Supply : DC 48V  
 Limit: [CISPR 11] Class A Group 1<3m>



Frequency [MHz]	Meter Reading (QP) [dBuV]	Ant. Type	Antenna Factor [dB/m]	Cable & Preamp [dB]	Level(QP) [dBuV/m]	Angle [°]	Height [cm]	Polar.	Limit [dBuV/m]	Margin [dB]
30.502	40.6	BL	18	-32.3	26.3	88	143	Vert.	50	23.7
103.607	49.6	BL	10.1	-31.7	28	75	117	Vert.	50	22
256.158	57.2	BL	13.2	-31.1	39.3	238	132	Vert.	57	17.7

DATA SHEET		Date	10-Oct-07
Model	SFS20481R5	Temp.	25 degreeC
Test	EMI Line conduction & Radiated emission	Humid.	45 %RH
		Tested by	Y.Miyawaki

## 1. Conditions

### (1) Photograph of Test Set-Up

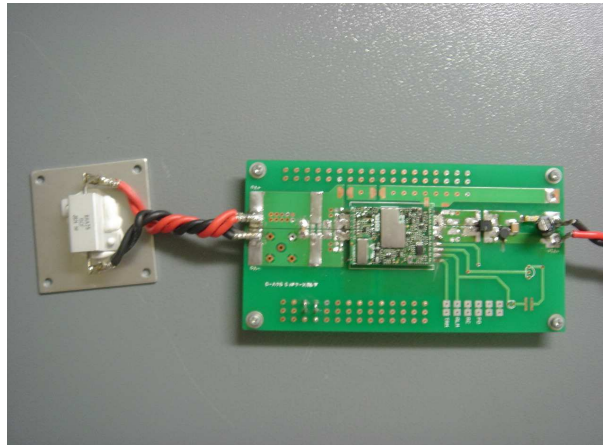
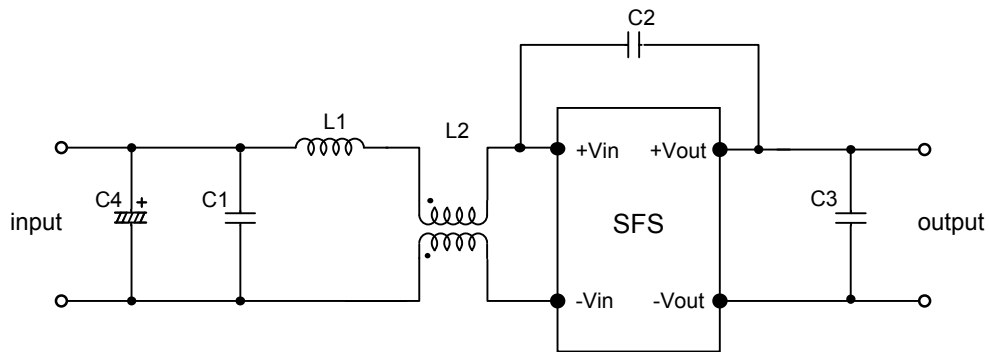


Fig1. Photograph of Test Set-Up

### (2) Testing circuitry



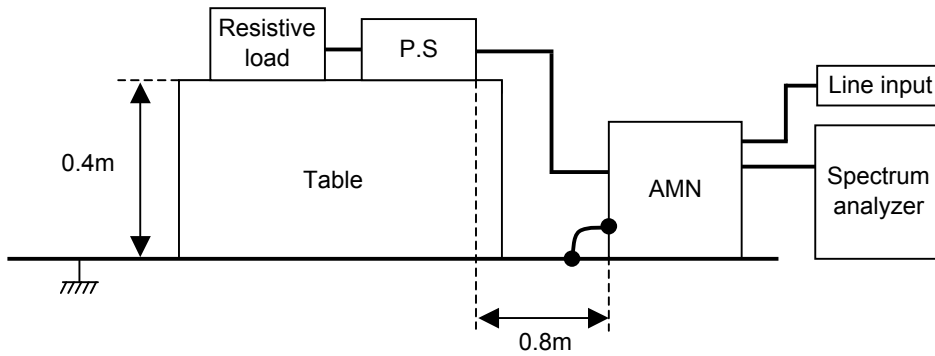
C1: 1 $\mu$ F 100V Ceramic capacitor  
 C2: 2200pF 630V Ceramic capacitor  
 C3: 22 $\mu$ F 16V Ceramic capacitor  
 C4: 10 $\mu$ F 100V Electric capacitor

L1: 1 $\mu$ H 2.4A Inductor  
 L2: ZJYS51R5-2PT : TDK

Fig2. Testing circuitry

DATA SHEET		Date	10-Oct-07
Model	Circuit used for measurement	Temp.	25 degreeC
Test	EMI Line conduction & Radiated emission	Humid.	45 %RH
		Tested by	Y.Miyawaki

## 1. Line conduction



## 2. Radiated emission

