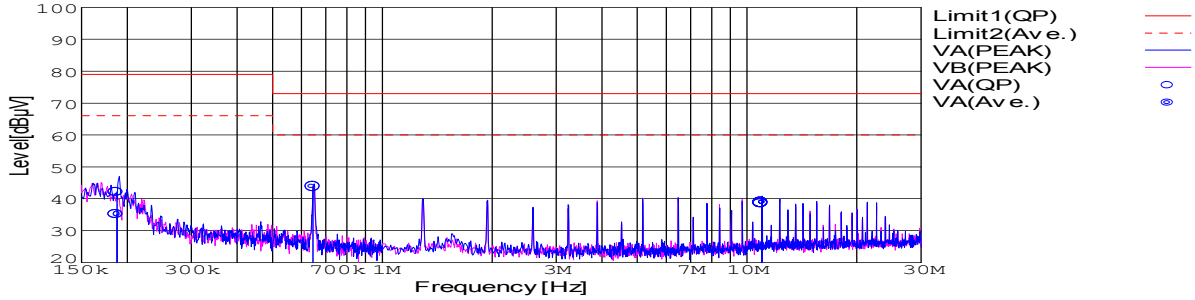


| DATA SHEET | | Date | 11-Oct-07 |
|------------|--|-----------|------------|
| Model | SFS204805 | Temp. | 25 degreeC |
| Test | EMI Line conduction & Radiated emission | Humid. | 45 %RH |
| | | Tested by | Y.Miyawaki |

LINE CONDUCTION

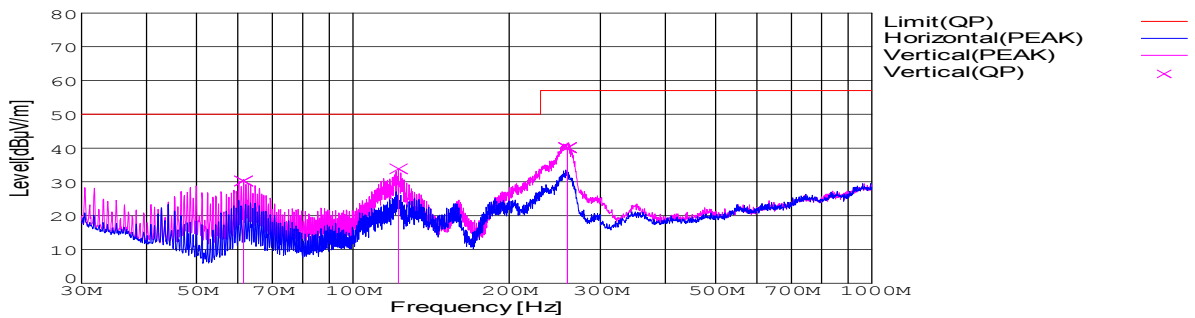
Model Name : SFS204805 Temp. : 25degreeC
 Model No. : Humi. : 45%
 Serial No. : Date : 2007/10/11 11:20
 Points : 3 Test Equip. : R3132,ESPC
 Detector : PEAK/QP/Ave. Load Line : 100mm
 Line Mode : VA Comment : Vo = 5.0V , Io = 4.0A
 Power Supply : DC 48V
 Limit1: [CISPR Pub11] Class A Gr.1(QP)
 Limit2: [CISPR Pub11] Class A Gr.1(Ave.)



| Frequency [MHz] | Meter Reading (Ave.) [dBuV] | Meter Reading (QP) [dBuV] | Factor [dB] | Level(Ave.) [dBuV] | Level(QP) [dBuV] | Line | Limit(Ave.) [dBuV] | Limit(QP) [dBuV] | Margin(Ave.) [dB] | Margin(QP) [dB] |
|-----------------|-----------------------------|---------------------------|-------------|--------------------|------------------|------|--------------------|------------------|-------------------|-----------------|
| 0.1874 | 25.3 | 32.4 | 9.8 | 35.1 | 42.2 | VA | 66 | 79 | 30.9 | 36.8 |
| 0.646 | 33.8 | 33.8 | 9.9 | 43.7 | 43.7 | VA | 60 | 73 | 16.3 | 29.3 |
| 10.979 | 28.8 | 28.5 | 10.1 | 38.9 | 38.6 | VA | 60 | 73 | 21.1 | 34.4 |

RADIATED EMISSION

Model Name : SFS204805 Temp. : 25degreeC
 Model No. : Humi. : 45%
 Serial No. : Date : 2007/10/11 11:31
 Points : 3 Test Equip. : R3132,ESPC
 Detector : PEAK/QP Load Line : 100mm
 Polarization : Vertical Comment : Vo = 5.0V , Io = 4.0A
 Power Supply : DC 48V
 Limit: [CISPR 11] Class A Group 1<3m>



| Frequency [MHz] | Meter Reading (QP) [dBuV] | Ant. Type | Antenna Factor [dB/m] | Cable & Preamp [dB] | Level(QP) [dBuV/m] | Angle [°] | Height [cm] | Polar. | Limit [dBuV/m] | Margin [dB] |
|-----------------|---------------------------|-----------|-----------------------|---------------------|--------------------|-----------|-------------|--------|----------------|-------------|
| 61.562 | 57.6 | BL | 4.7 | -32 | 30.3 | 12 | 114 | Vert. | 50 | 19.7 |
| 122.454 | 54.6 | BL | 11 | -31.7 | 33.9 | 0 | 156 | Vert. | 50 | 16.1 |
| 259.174 | 57.6 | BL | 13.6 | -31.1 | 40.1 | 216 | 138 | Vert. | 57 | 16.9 |

| DATA SHEET | | Date | 11-Oct-07 |
|------------|--|-----------|------------|
| Model | SFS204805 | Temp. | 25 degreeC |
| Test | EMI Line conduction & Radiated emission | Humid. | 45 %RH |
| | | Tested by | Y.Miyawaki |

1. Conditions

(1) Photograph of Test Set-Up

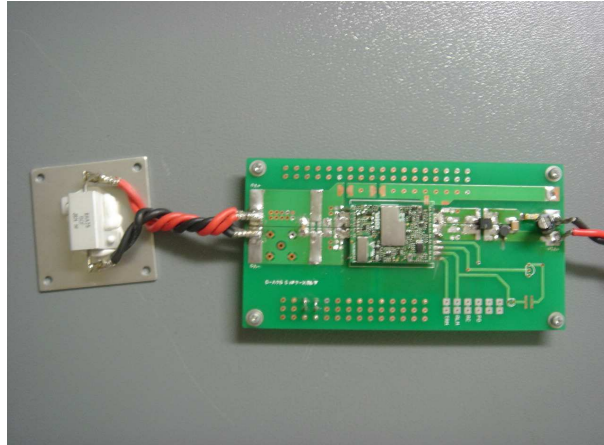
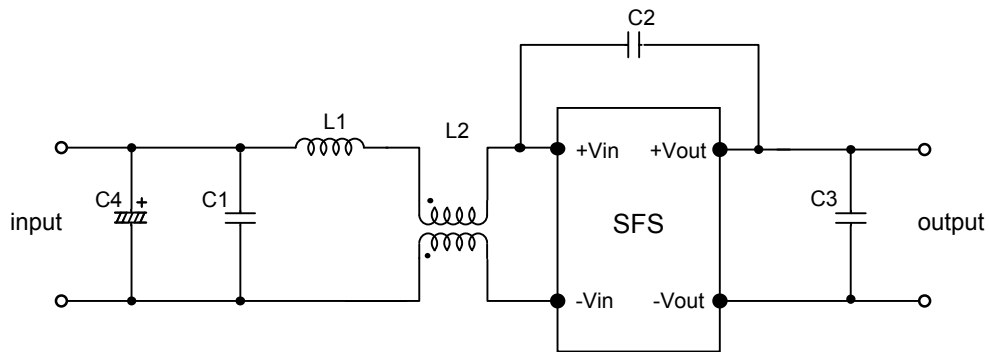


Fig1. Photograph of Test Set-Up

(2) Testing circuitry



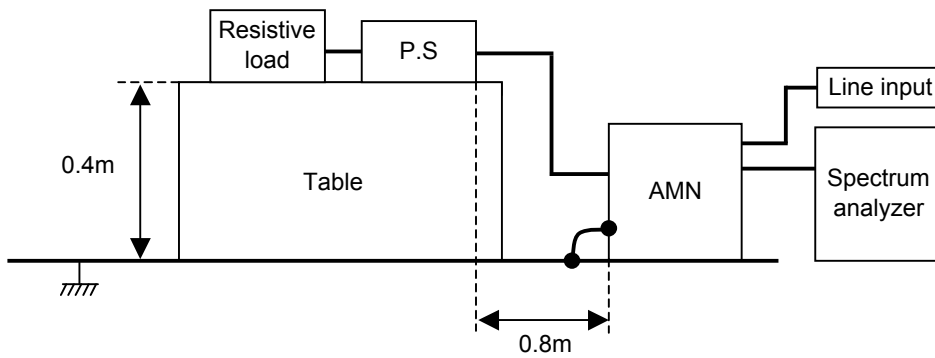
C1: 1 μ F 100V Ceramic capacitor
 C2: 2200pF 630V Ceramic capacitor
 C3: 22 μ F 16V Ceramic capacitor
 C4: 10 μ F 100V Electric capacitor

L1: 1 μ H 2.4A Inductor
 L2: ZJYS51R5-2PT : TDK

Fig2. Testing circuitry

| DATA SHEET | | Date | 11-Oct-07 |
|------------|--|-----------|------------|
| Model | Circuit used for measurement | Temp. | 25 degreeC |
| Test | EMI Line conduction & Radiated emission | Humid. | 45 %RH |
| | | Tested by | Y.Miyawaki |

1. Line conduction



2. Radiated emission

