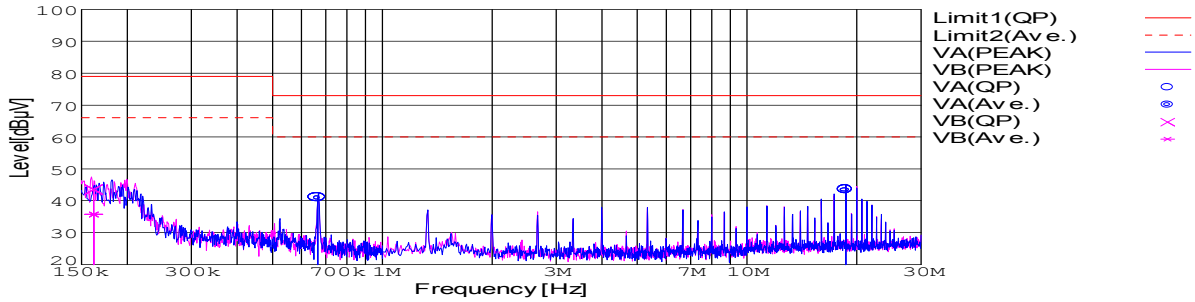


DATA SHEET		Date	11-Oct-07
Model	SFS10481R5	Temp.	25 degreeC
Test	EMI Line conduction & Radiated emission	Humid.	45 %RH
		Tested by	Y.Miyawaki

LINE CONDUCTION

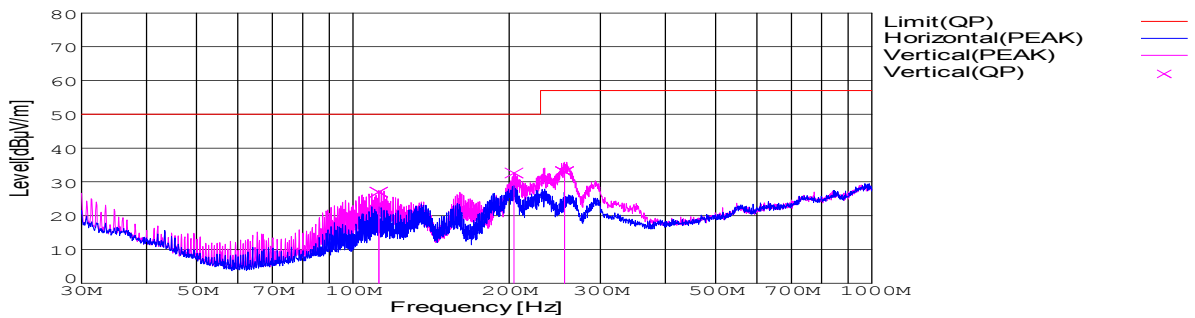
Model Name : SFS10481R5 Temp. : 25degreeC
 Model No. : Humi. : 45%
 Serial No. : Date : 2007/10/11 19:02
 Points : 3 Test Equip. : R3132,ESPC
 Detector : PEAK/QP/Ave. Load Line : 100mm
 Line Mode : VA/VB Comment : Vo = 1.5V , Io = 3.5A
 Power Supply : DC 48V
 Limit1: [CISPR Pub11] Class A Gr.1(QP)
 Limit2: [CISPR Pub11] Class A Gr.1(Ave.)



Frequency [MHz]	Meter Reading (Ave.) [dBuV]	Meter Reading (QP) [dBuV]	Factor [dB]	Level(Ave.) [dBuV]	Level(QP) [dBuV]	Line	Limit(Ave.) [dBuV]	Limit(QP) [dBuV]	Margin(Ave.) [dB]	Margin(QP) [dB]
0.6653	31	31.1	9.9	40.9	41	VA	60	73	19.1	32
18.6363	33.2	33.2	10.2	43.4	43.4	VA	60	73	16.6	29.6
0.1619	25.9	33.7	9.8	35.7	43.5	VB	66	79	30.3	35.5

RADIATED EMISSION

Model Name : SFS10481R5 Temp. : 25degreeC
 Model No. : Humi. : 45%
 Serial No. : Date : 2007/10/11 19:17
 Points : 3 Test Equip. : R3132,ESPC
 Detector : PEAK/QP Polarization : Vertical Load Line : 100mm
 Power Supply : DC 48V Comment : Vo = 1.5V , Io = 3.5A
 Limit: [CISPR 11] Class A Group 1<3m>



Frequency [MHz]	Meter Reading (QP) [dBuV]	Ant. Type	Antenna Factor [dB/m]	Cable & Preamp [dB]	Level(QP) [dBuV/m]	Angle [°]	Height [cm]	Polar.	Limit [dBuV/m]	Margin [dB]
112.175	47.9	BL	10.8	-31.7	27	28	141	Vert.	50	23
204.343	55.3	BL	8.6	-31.3	32.6	195	135	Vert.	50	17.4
255.737	51	BL	13.1	-31.1	33	209	116	Vert.	57	24

DATA SHEET		Date	11-Oct-07
Model	SFS10481R5	Temp.	25 degreeC
Test	EMI Line conduction & Radiated emission	Humid.	45 %RH
		Tested by	Y.Miyawaki

1. Conditions

(1) Photograph of Test Set-Up

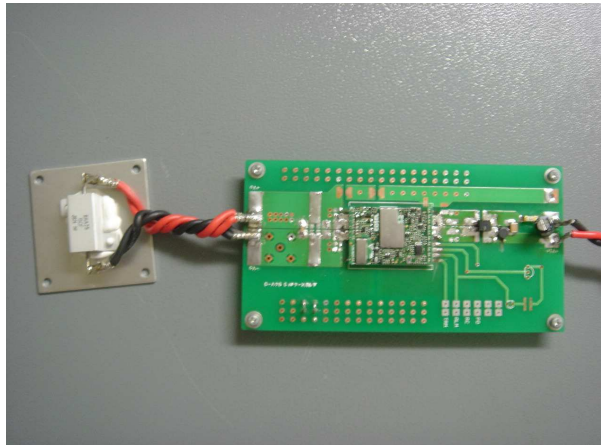
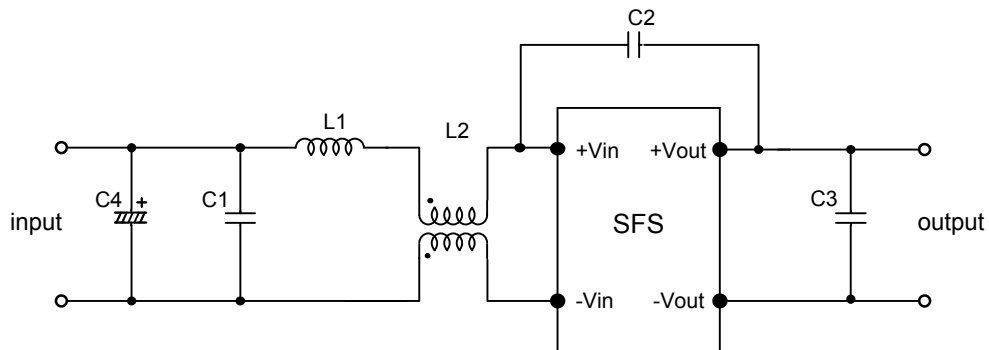


Fig1. Photograph of Test Set-Up

(2) Testing circuitry



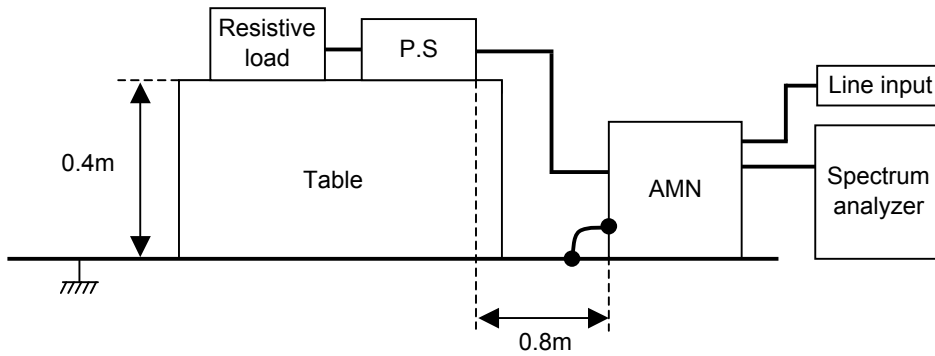
C1: 1 μ F 100V Ceramic capacitor
 C2: 2200pF 630V Ceramic capacitor
 C3: 22 μ F 16V Ceramic capacitor
 C4: 10 μ F 100V Electric capacitor

L1: 1 μ H 2.4A Inductor
 L2: ZJYS51R5-2PT : TDK

Fig2. Testing circuitry

DATA SHEET		Date	11-Oct-07
Model	Circuit used for measurement	Temp.	25 degreeC
Test	EMI Line conduction & Radiated emission	Humid.	45 %RH
		Tested by	Y.Miyawaki

1. Line conduction



2. Radiated emission

