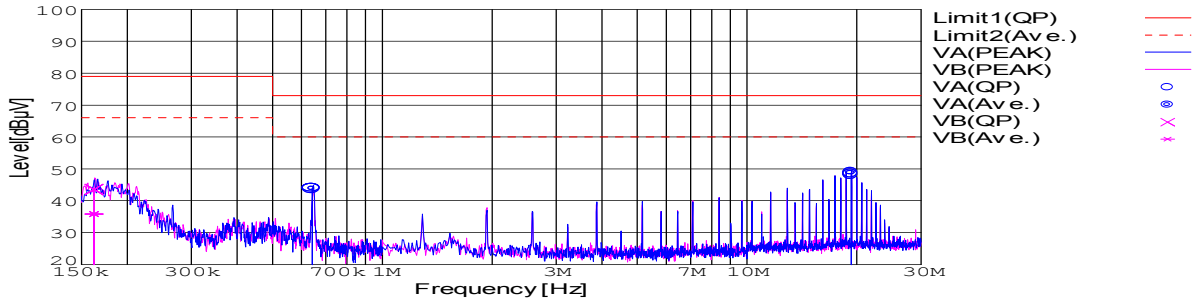


DATA SHEET		Date	12-Oct-07
Model	SFS104812	Temp.	25 degreeC
Test	EMI Line conduction & Radiated emission	Humid.	45 %RH
		Tested by	Y.Miyawaki

LINE CONDUCTION

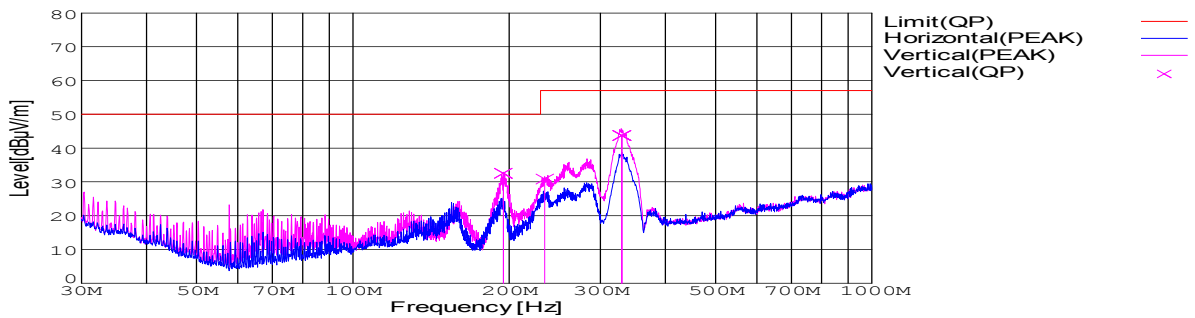
Model Name : SFS104812
 Model No. :
 Serial No. :
 Points : 3
 Detector : PEAK/QP/Ave.
 Line Mode : VA/VB
 Power Supply : DC 48V
 Temp. : 25degreeC
 Humi. : 45%
 Date : 2007/10/12 16:52
 Test Equip. : R3132,ESPC
 Load Line : 100mm
 Comment : Vo = 12V , Io = 0.9A
 Limit1: [CISPR Pub11] Class A Gr.1(QP)
 Limit2: [CISPR Pub11] Class A Gr.1(Ave.)



Frequency [MHz]	Meter Reading (Ave.) [dBuV]	Meter Reading (QP) [dBuV]	Factor [dB]	Level(Ave.) [dBuV]	Level(QP) [dBuV]	Line	Limit(Ave.) [dBuV]	Limit(QP) [dBuV]	Margin(Ave.) [dB]	Margin(QP) [dB]
0.6435	34	33.8	9.9	43.9	43.7	VA	60	73	16.1	29.3
19.2959	38.5	38	10.3	48.8	48.3	VA	60	73	11.2	24.7
0.1622	26	33.8	9.8	35.8	43.6	VB	66	79	30.2	35.4

RADIATED EMISSION

Model Name : SFS104812
 Model No. :
 Serial No. :
 Points : 3
 Detector : PEAK/QP
 Polarization : Vertical
 Power Supply : DC 48V
 Temp. : 25degreeC
 Humi. : 45%
 Date : 2007/10/12 16:40
 Test Equip. : R3132,ESPC
 Load Line : 100mm
 Comment : Vo = 12.0V , Io = 0.9A
 Limit: [CISPR 11] Class A Group 1<3m>



Frequency [MHz]	Meter Reading (QP) [dBuV]	Ant. Type	Antenna Factor [dB/m]	Cable & Preamp [dB]	Level(QP) [dBuV/m]	Angle [°]	Height [cm]	Polar.	Limit [dBuV/m]	Margin [dB]
194.898	55.5	BL	8.4	-31.3	32.6	187	123	Vert.	50	17.4
234.267	51.7	BL	10.4	-31.2	30.9	205	124	Vert.	57	26.1
329.729	60.7	BL	13.9	-30.9	43.7	217	100	Vert.	57	13.3

DATA SHEET		Date	12-Oct-07
Model	SFS104812	Temp.	25 degreeC
Test	EMI Line conduction & Radiated emission	Humid.	45 %RH
		Tested by	Y.Miyawaki

1. Conditions

(1) Photograph of Test Set-Up

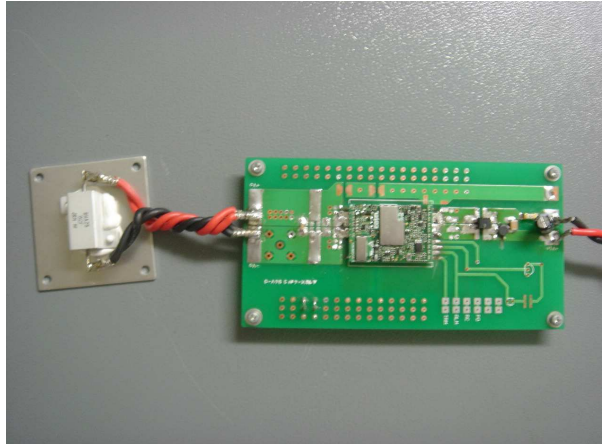
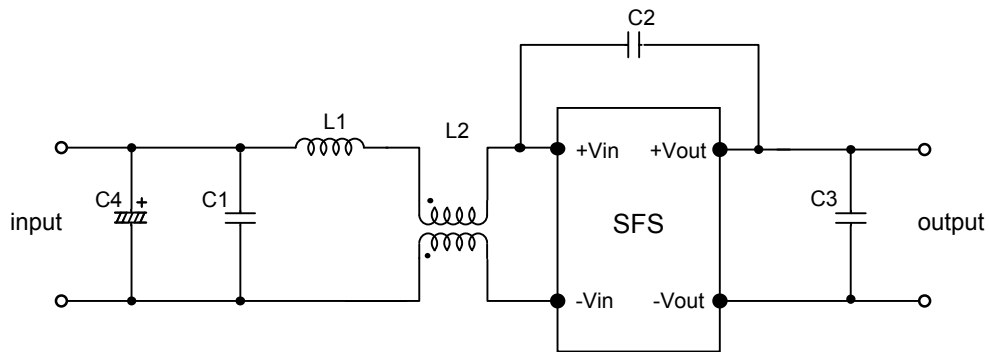


Fig1. Photograph of Test Set-Up

(2) Testing circuitry



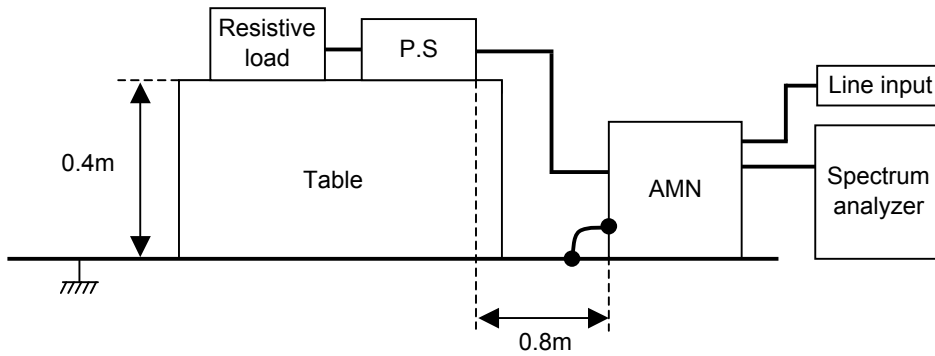
C1: 1 μ F 100V Ceramic capacitor
 C2: 2200pF 630V Ceramic capacitor
 C3: 0.1 μ F 50V Ceramic capacitor
 C4: 10 μ F 100V Electric capacitor

L1: 1 μ H 2.4A Inductor
 L2: ZJYS51R5-2PT : TDK

Fig2. Testing circuitry

DATA SHEET		Date	12-Oct-07
Model	Circuit used for measurement	Temp.	25 degreeC
Test	EMI Line conduction & Radiated emission	Humid.	45 %RH
		Tested by	Y.Miyawaki

1. Line conduction



2. Radiated emission

