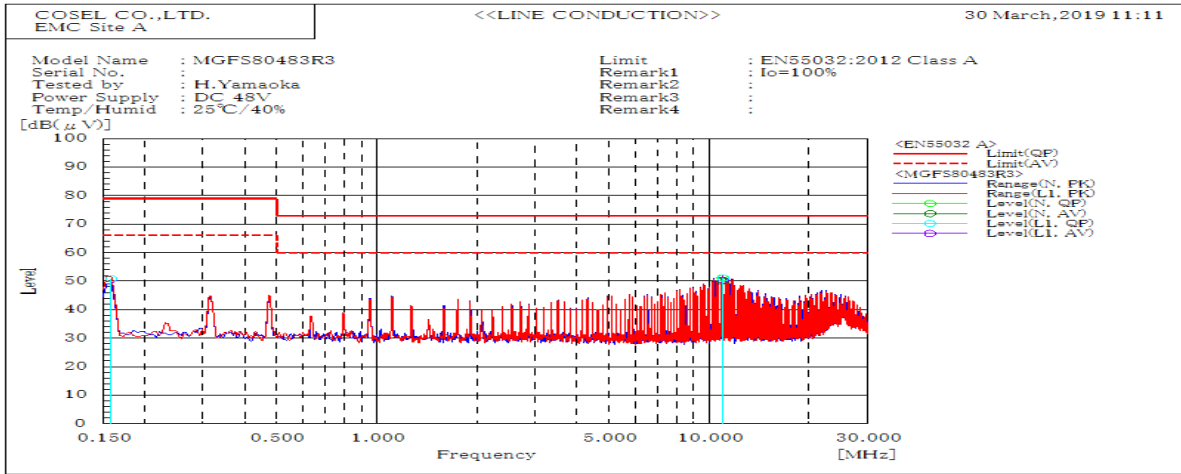
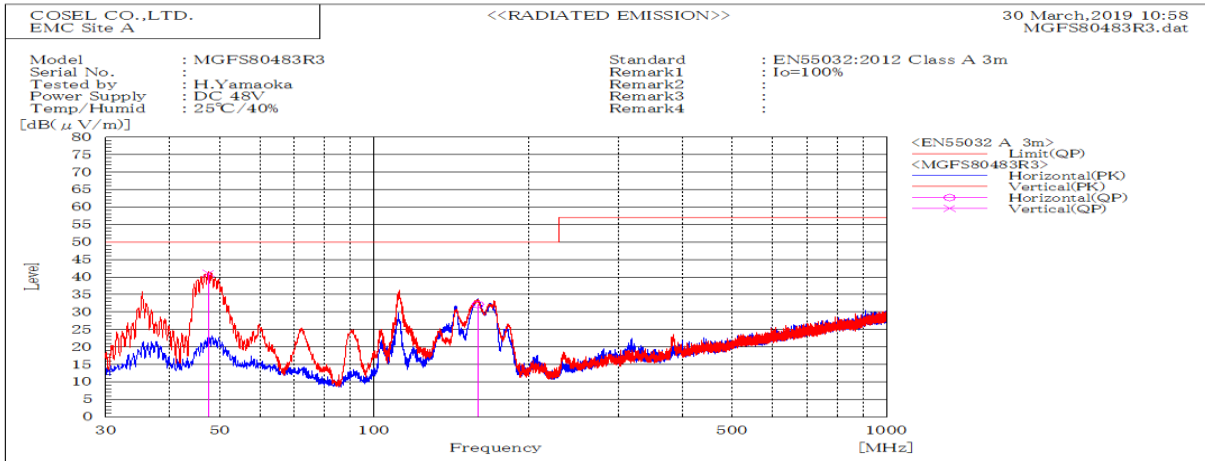


DATA SHEET		Date	23-Apr-19
Model	MGFS80483R3	Temp.	25 degreeC
Test	EMI Line conduction & Radiated emission	Humid.	40 %RH
		Tested by	H.Yamaoka



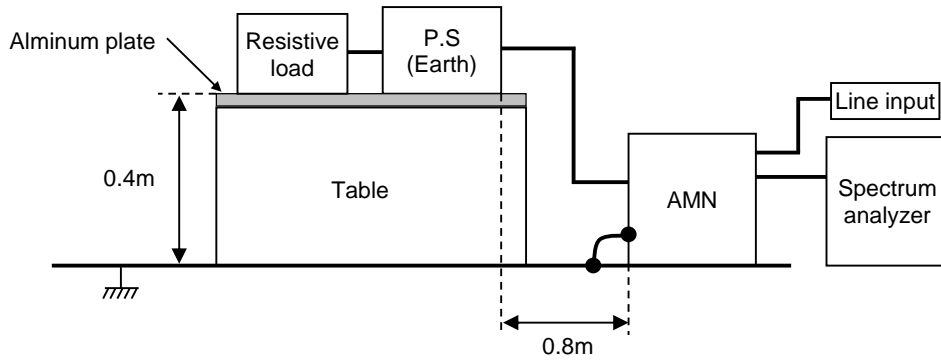
Frequency MHz	Line	Level dB(μV)		Limit dB(μV)		Margin dB		Pass/Fail	Remark
		QP	AV	QP	AV	QP	AV		
10.982	L1	51.1	50.4	73	60	21.9	9.6	Pass	
0.159	L1	50.9	50.8	79	66	28.1	15.2	Pass	
10.972	N	51.2	50	73	60	21.8	10	Pass	



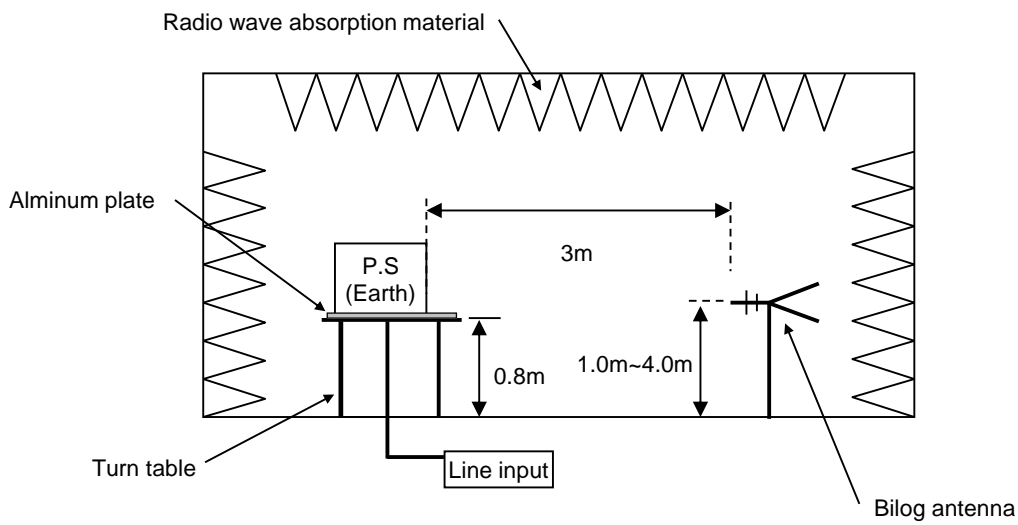
Frequency MHz	Polarization	Stability	Level dB(uV/m)		Margin dB	Pass/Fail	Height cm	Angle deg	Remark
			QP	QP					
159.583	H	Stable	32.2	50	17.8	Pass	179.6	154.4	
47.629	V	Stable	41	50	9	Pass	100.2	180.7	

DATA SHEET		Date	23-Apr-19
Model	Circuit used for measurement	Temp.	25 degreeC
Test	EMI Line conduction & Radiated emission	Humid.	40 %RH
		Tested by	H.Yamaoka

**1. Line conduction**



**2. Radiated emission**



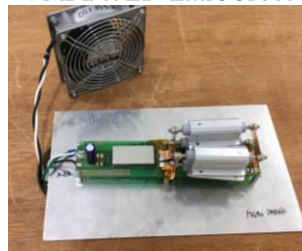
**Conditions**

Test : EMI  
 Model Name : MGFS80□□

○Photographs of Test Set-Up  
**LINE CONDUCTION**



**RADIATED EMISSION**



○Testing circuitry

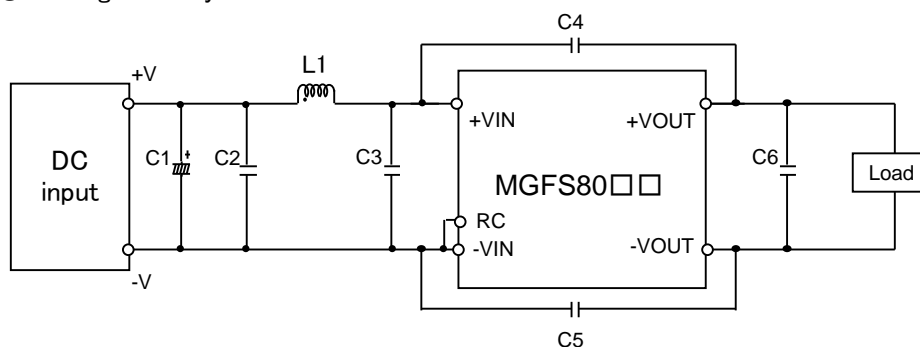


Fig.1 Testing circuitry

- C1 : MGFS8024□□ 63V 470  $\mu$ F Electrolytic capacitor (ELXseries NIPPON CHEMI-CON)  
 MGFS8048□□ 100V 220  $\mu$ F Electrolytic capacitor (KYseries NIPPON CHEMI-CON)
- C2 : MGFS8024□□ 50V 10  $\mu$ F Ceramic capacitor (GRM32ER71H106K MURATA MANUFACTURING)  
 MGFS8048□□ 100V 4.7  $\mu$ F Ceramic capacitor (HMK325C7475K TAIYOU YUDEN)
- C3 : MGFS8024□□ 50V 10  $\mu$ F Ceramic capacitor (GRM32ER71H106K MURATA MANUFACTURING)  
 MGFS8048□□ 100V 4.7  $\mu$ F Ceramic capacitor (HMK325C7475K TAIYOU YUDEN)
- C4,C5 : MGFS8024□□ 2kV 2200pF Ceramic capacitor (GR443QR73D222KW01 MURATA MANUFACTURING)  
 MGFS8048□□ 2kV 3300pF Ceramic capacitor (GR443QR73D332KW01 MURATA MANUFACTURING)
- C6 : MGFS8024□□ 25V 22  $\mu$ F Ceramic capacitor (GRM32ER71E226K MURATA MANUFACTURING)  
 MGFS8048□□ 25V 22  $\mu$ F Ceramic capacitor (GRM32ER71E226K MURATA MANUFACTURING)
- L1 : MGFS8024□□ 12.0A 1.8  $\mu$ H Inductor (SRP7050TA-1R8M BOURNS)  
 MGFS8048□□ 8.0A 3.3  $\mu$ H Inductor (SRP7050TA-3R3M BOURNS)