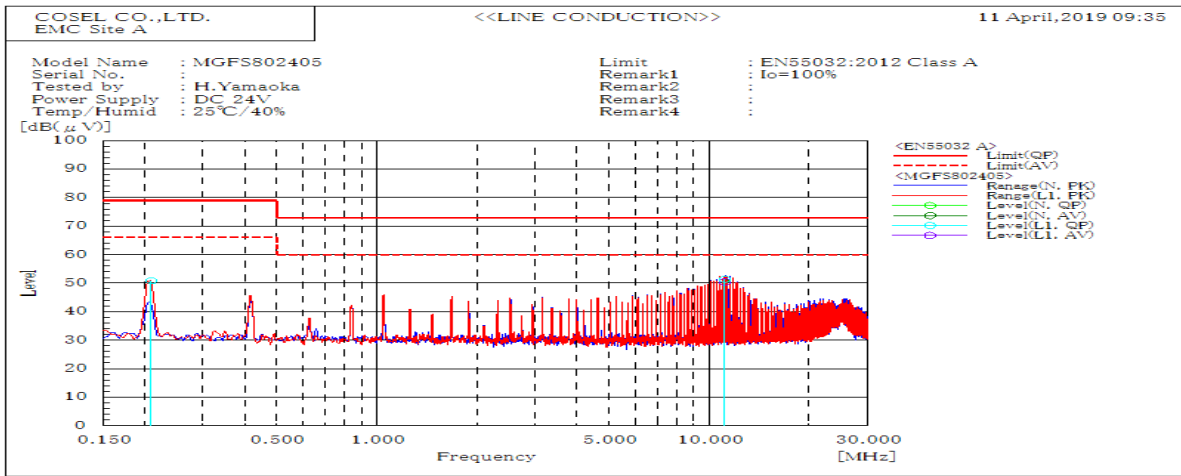
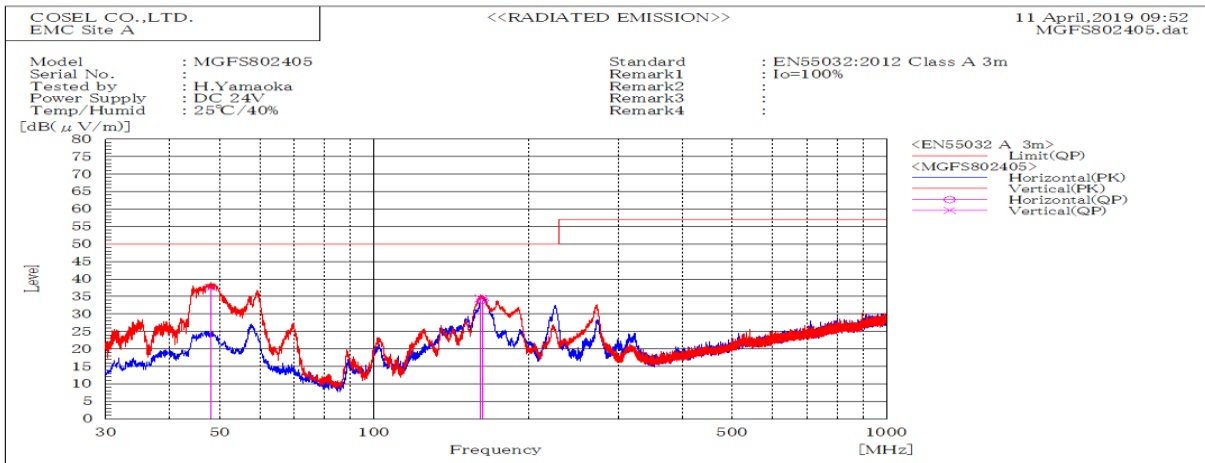


DATA SHEET		Date	23-Apr-19
Model	MGFS802405	Temp.	25 degreeC
Test	EMI Line conduction & Radiated emission	Humid.	40 %RH
		Tested by	H.Yamaoka



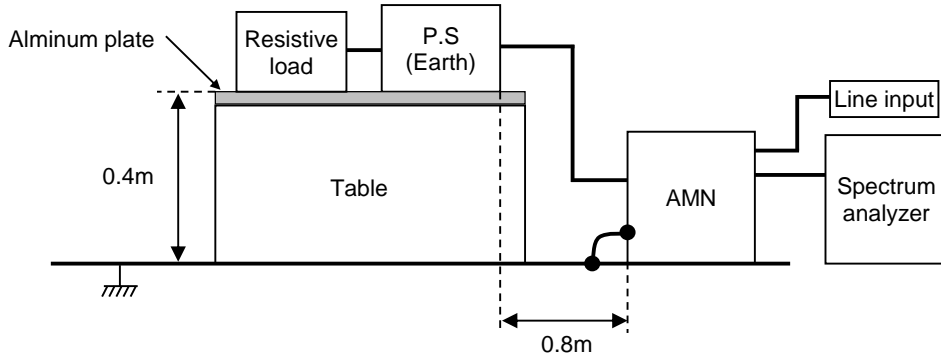
Frequency MHz	Line	Level		Limit		Margin		Pass/Fail	Remark
		dB(μV)		dB(μV)		dB			
		QP	AV	QP	AV	QP	AV		
11.123	L1	51.4	50.5	73	60	21.6	9.5	Pass	
0.21	L1	50.9	50.9	79	66	28.1	15.1	Pass	
11.115	N	51.4	50.4	73	60	21.6	9.6	Pass	



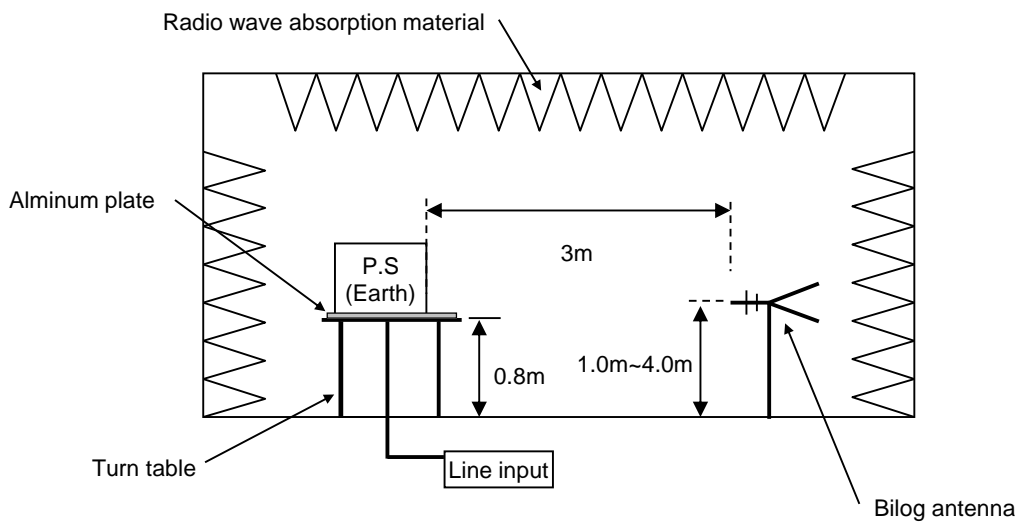
Frequency MHz	Polarization	Stability	Level		Margin dB	Pass/Fail	Height cm	Angle deg	Remark
			QP	QP					
162.749	H	Stable	33.9	50	16.1	Pass	173.1	156.1	
48.167	V	Stable	37.5	50	12.5	Pass	100.2	0	
161.337	V	Stable	34.5	50	15.5	Pass	100.4	81.2	

DATA SHEET		Date	23-Apr-19
Model	Circuit used for measurement	Temp.	25 degreeC
Test	EMI Line conduction & Radiated emission	Humid.	40 %RH
		Tested by	H.Yamaoka

**1. Line conduction**



**2. Radiated emission**



**Conditions**

Test : EMI  
 Model Name : MGFS80□□

○Photographs of Test Set-Up  
**LINE CONDUCTION**



**RADIATED EMISSION**



○Testing circuitry

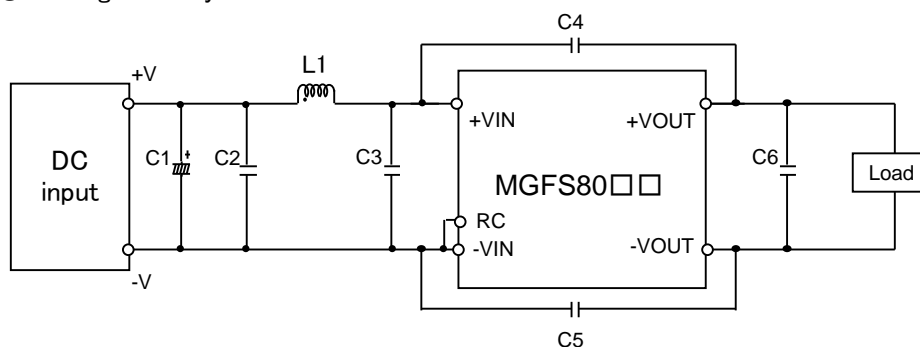


Fig.1 Testing circuitry

- C1 : MGFS8024□□ 63V 470  $\mu$ F Electrolytic capacitor (ELXseries NIPPON CHEMI-CON)  
 MGFS8048□□ 100V 220  $\mu$ F Electrolytic capacitor (KYseries NIPPON CHEMI-CON)
- C2 : MGFS8024□□ 50V 10  $\mu$ F Ceramic capacitor (GRM32ER71H106K MURATA MANUFACTURING)  
 MGFS8048□□ 100V 4.7  $\mu$ F Ceramic capacitor (HMK325C7475K TAIYOU YUDEN)
- C3 : MGFS8024□□ 50V 10  $\mu$ F Ceramic capacitor (GRM32ER71H106K MURATA MANUFACTURING)  
 MGFS8048□□ 100V 4.7  $\mu$ F Ceramic capacitor (HMK325C7475K TAIYOU YUDEN)
- C4,C5 : MGFS8024□□ 2kV 2200pF Ceramic capacitor (GR443QR73D222KW01 MURATA MANUFACTURING)  
 MGFS8048□□ 2kV 3300pF Ceramic capacitor (GR443QR73D332KW01 MURATA MANUFACTURING)
- C6 : MGFS8024□□ 25V 22  $\mu$ F Ceramic capacitor (GRM32ER71E226K MURATA MANUFACTURING)  
 MGFS8048□□ 25V 22  $\mu$ F Ceramic capacitor (GRM32ER71E226K MURATA MANUFACTURING)
- L1 : MGFS8024□□ 12.0A 1.8  $\mu$ H Inductor (SRP7050TA-1R8M BOURNS)  
 MGFS8048□□ 8.0A 3.3  $\mu$ H Inductor (SRP7050TA-3R3M BOURNS)