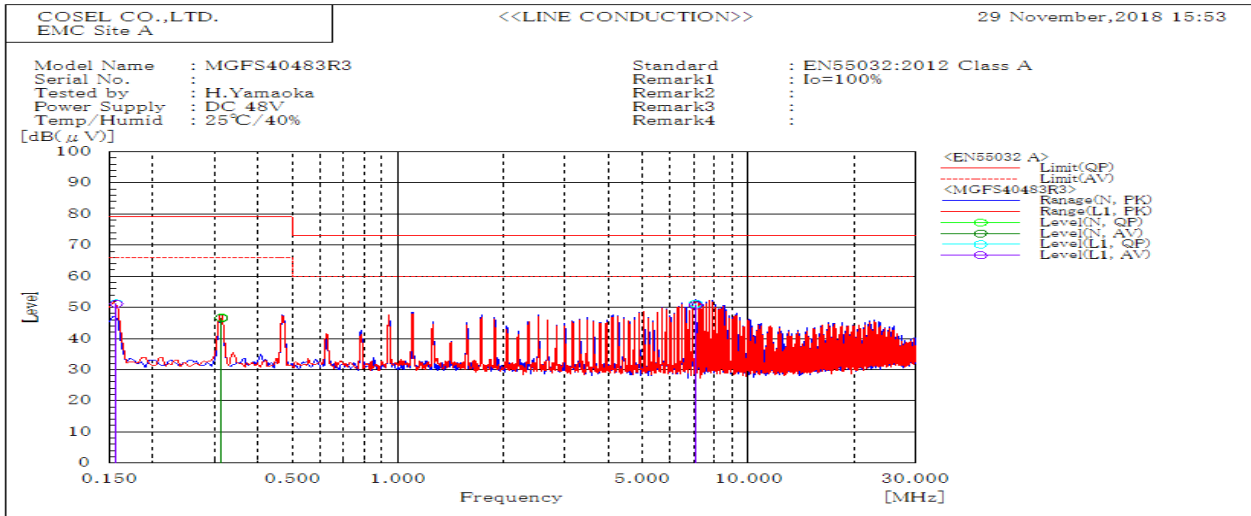
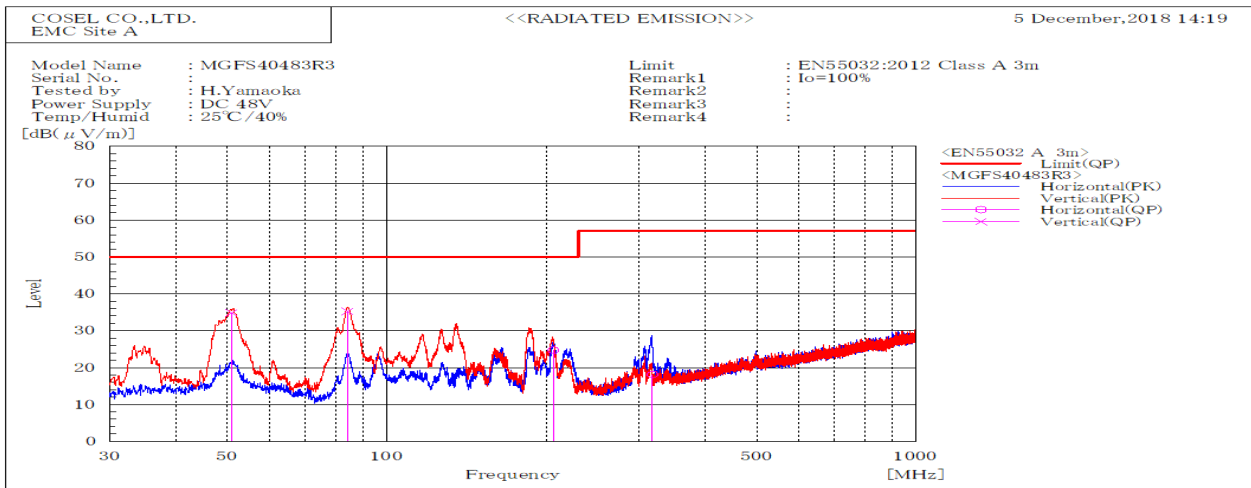


DATA SHEET		Date	15-Jan-19
Model	MGFS40483R3	Temp.	25 degreeC
Test	EMI Line conduction & Radiated emission	Humid.	40 %RH
		Tested by	H.Yamaoka



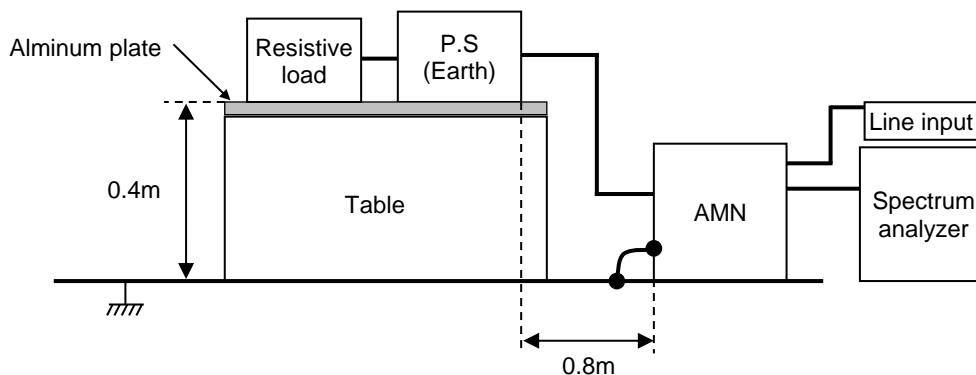
Frequency MHz	Line	Level dB(μV)		Limit dB(μV)		Margin dB		Pass/Fail	Remark
		QP	AV	QP	AV	QP	AV		
7.076	L1	51.2	50.7	73	60	21.8	9.3	Pass	
0.157	L1	51.2	51.2	79	66	27.8	14.8	Pass	
7.073	N	51.2	50.7	73	60	21.8	9.3	Pass	
0.314	N	46.7	46.5	79	66	32.3	19.5	Pass	



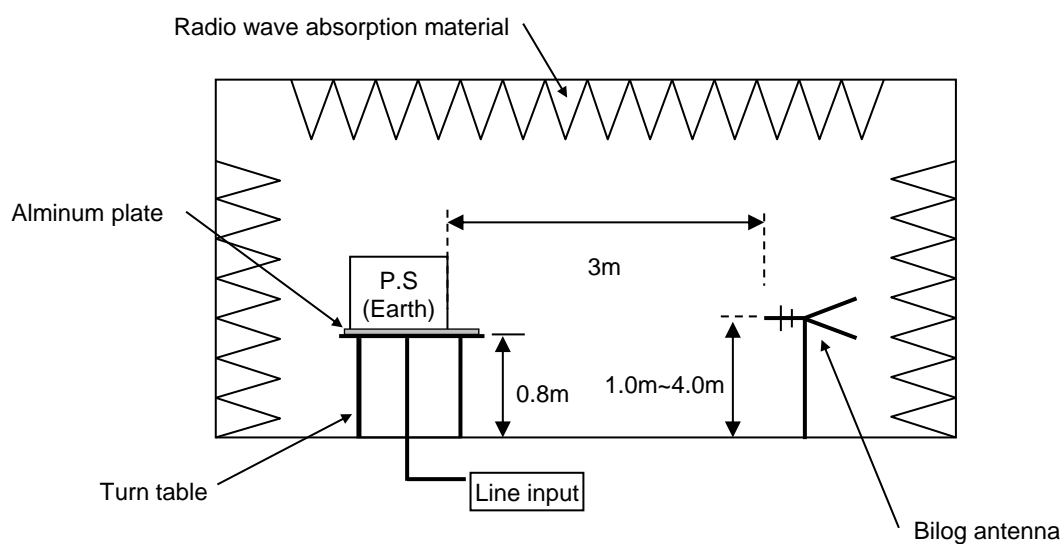
Frequency MHz	Polarization	Stability	Level dB(μV/m)		Limit dB(μV/m)	Margin dB	Pass/Fail	Height cm	Angle deg	Remark
			QP	QP						
84.335	V	Stable	35.3	50	14.7	Pass	100.2	0		
50.975	V	Stable	34.9	50	15.1	Pass	100.2	311.8		
317.704	H	Stable	18.2	57	38.8	Pass	100.2	319.6		
206.31	H	Stable	24.8	50	25.2	Pass	164.6	181.9		

DATA SHEET		Date	15-Jan-19
Model	Circuit used for measurement	Temp.	25 degreeC
Test	EMI Line conduction & Radiated emission	Humid.	40 %RH
		Tested by	H.Yamaoka

1. Line conduction



2. Radiated emission



Conditions

Test : EMI
 Model Name: MGFS40□□

○Photographs of Test Set-Up
LINE CONDUCTION



RADIATED EMISSION



○Testing circuitry

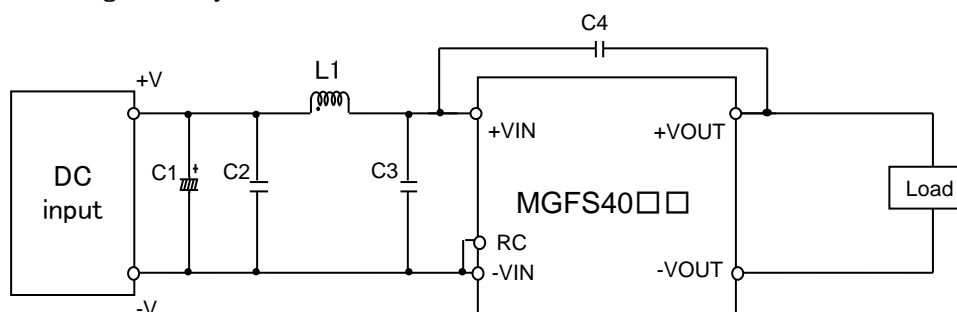


Fig.1 Testing circuitry

- | | | |
|------|------------|---|
| C1 : | MGFS4005□□ | 10V 4700μ F Electrolytic capacitor (UHWseries NICHICON CORPORATION) |
| | MGFS4024□□ | 63V 220μ F Electrolytic capacitor (KYseries NIPPON CHEMI-CON) |
| | MGFS4048□□ | 100V 220μ F Electrolytic capacitor (KYseries NIPPON CHEMI-CON) |
| C2 : | MGFS4005□□ | 16V 22μ F Ceramic capacitor (GRM32ER71C226K MURATA MANUFACTURING) |
| | MGFS4024□□ | 50V 10μ F Ceramic capacitor (GRM32ER71H106K MURATA MANUFACTURING) |
| | MGFS4048□□ | 100V 4.7μ F Ceramic capacitor (HMK325AC7475K TAIYOU YUDEN) |
| C3 : | MGFS4005□□ | 16V 22μ F Ceramic capacitor (GRM32ER71C226K MURATA MANUFACTURING) |
| | MGFS4024□□ | 50V 10μ F Ceramic capacitor (GRM32ER71H106K MURATA MANUFACTURING) |
| | MGFS4048□□ | 100V 4.7μ F Ceramic capacitor (HMK325AC7475K TAIYOU YUDEN) |
| C4 : | MGFS4005□□ | 2kV 1000pF Ceramic capacitor (GR431BR7LA102K MURATA MANUFACTURING) |
| | MGFS4024□□ | 2kV 1000pF Ceramic capacitor (GR431BR7LA102K MURATA MANUFACTURING) |
| | MGFS4048□□ | 2kV 1000pF Ceramic capacitor (GR431BR7LA102K MURATA MANUFACTURING) |
| L1 : | MGFS4005□□ | 15.0A 1.0μ H Inductor (SRP7050TA-1R0M BOURNS) |
| | MGFS4024□□ | 12.0A 1.8μ H Inductor (SRP7050TA-1R8M BOURNS) |
| | MGFS4048□□ | 6.0A 5.6μ H Inductor (SRP7050TA-5R6M BOURNS) |