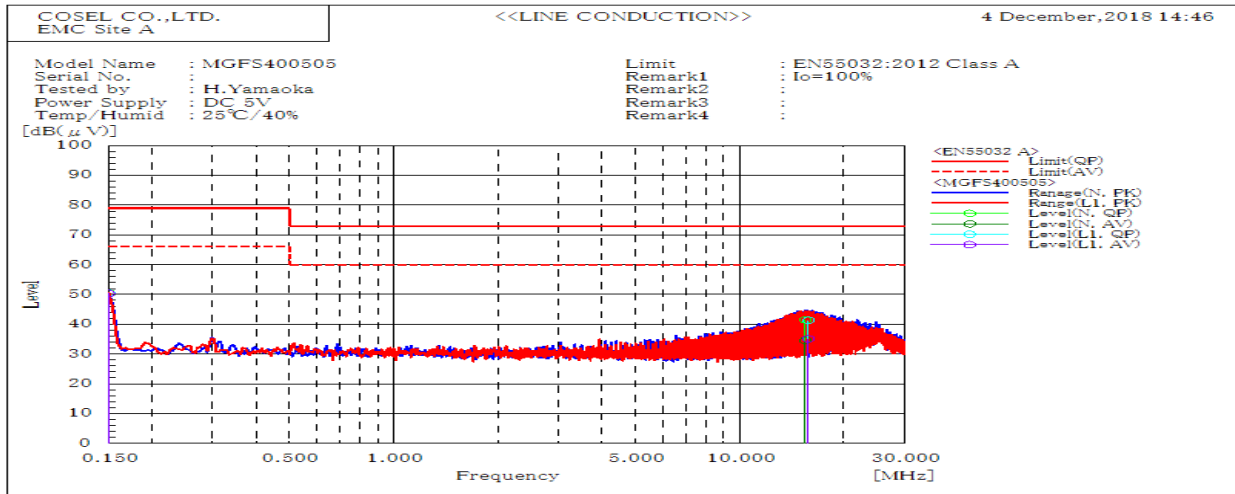
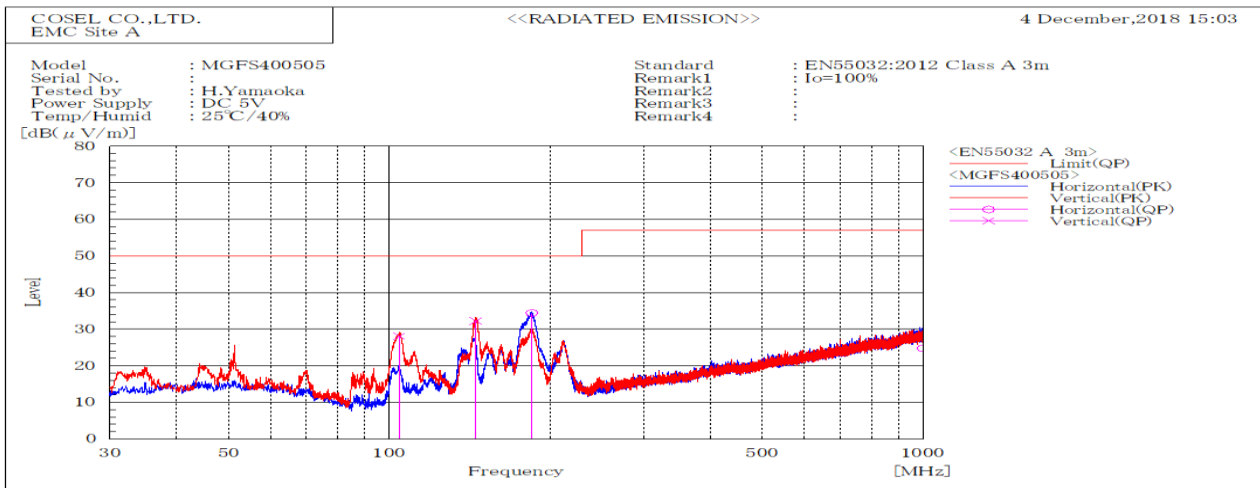


DATA SHEET		Date	15-Jan-19
Model	MGFS400505	Temp.	25 degreeC
Test	EMI Line conduction & Radiated emission	Humid.	40 %RH
		Tested by	H.Yamaoka



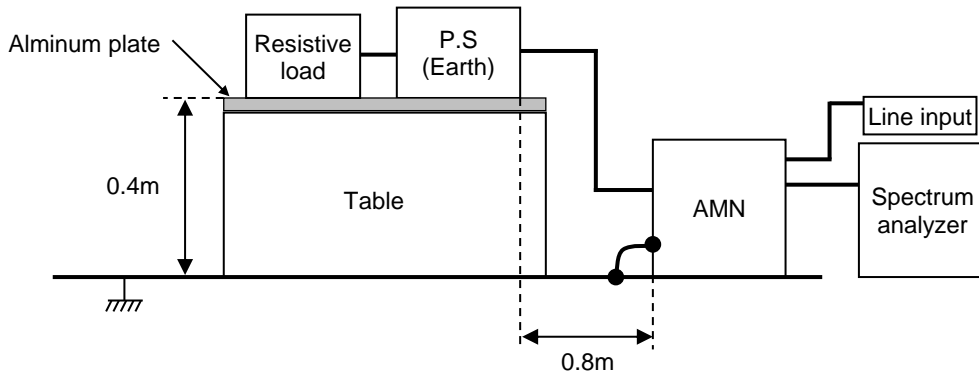
Frequency MHz	Line	Level dB(μV)		Limit dB(μV)		Margin dB		Pass/Fail	Remark
		QP	AV	QP	AV	QP	AV		
0.15	L1	50.4	50.4	79	66	28.6	15.6	Pass	
15.769	L1	41.3	35.1	73	60	31.7	24.9	Pass	
0.15	N	50.4	50.4	79	66	28.6	15.6	Pass	
15.465	N	41.5	34.5	73	60	31.5	25.5	Pass	



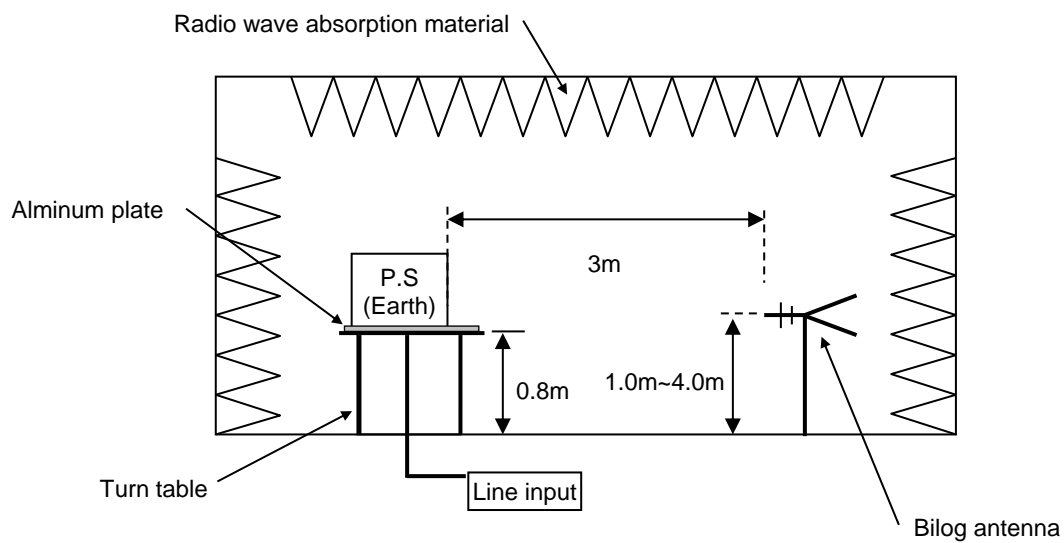
Frequency MHz	Polarization	Stability	Level dB(μV/m)		Margin dB	Pass/Fail	Height cm	Angle deg	Remark
			QP	QP					
145.167	V	Stable	32.2	50	17.8	Pass	101.6	234.7	
185.066	H	Stable	34.4	50	15.6	Pass	131.1	201.4	
998.513	H	Stable	24.8	57	32.2	Pass	219.2	343.6	
104.472	V	Stable	28.1	50	21.9	Pass	103.3	341.5	

DATA SHEET		Date	15-Jan-19
Model	Circuit used for measurement	Temp.	25 degreeC
Test	EMI Line conduction & Radiated emission	Humid.	40 %RH
		Tested by	H.Yamaoka

### 1. Line conduction



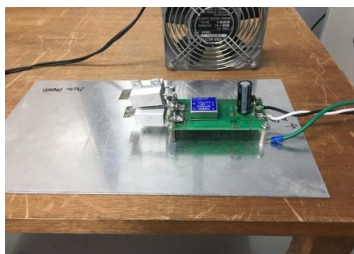
### 2. Radiated emission



**Conditions**

Test : EMI  
 Model Name: MGFS40□□

○Photographs of Test Set-Up  
**LINE CONDUCTION**



**RADIATED EMISSION**



○Testing circuitry

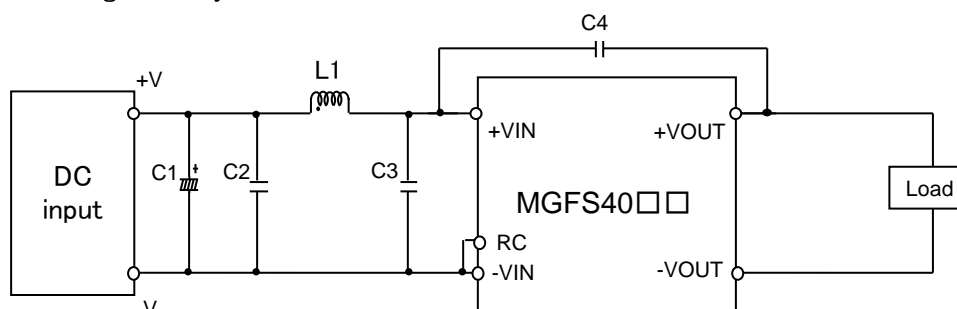


Fig.1 Testing circuitry

- |      |            |   |
|------|------------|---|
| C1 : | MGFS4005□□ | 10V 4700μ F Electrolytic capacitor (UHWseries NICHICON CORPORATION) |
|      | MGFS4024□□ | 63V 220μ F Electrolytic capacitor (KYseries NIPPON CHEMI-CON)       |
|      | MGFS4048□□ | 100V 220μ F Electrolytic capacitor (KYseries NIPPON CHEMI-CON)      |
| C2 : | MGFS4005□□ | 16V 22μ F Ceramic capacitor (GRM32ER71C226K MURATA MANUFACTURING)   |
|      | MGFS4024□□ | 50V 10μ F Ceramic capacitor (GRM32ER71H106K MURATA MANUFACTURING)   |
|      | MGFS4048□□ | 100V 4.7μ F Ceramic capacitor (HMK325AC7475K TAIYOU YUDEN)          |
| C3 : | MGFS4005□□ | 16V 22μ F Ceramic capacitor (GRM32ER71C226K MURATA MANUFACTURING)   |
|      | MGFS4024□□ | 50V 10μ F Ceramic capacitor (GRM32ER71H106K MURATA MANUFACTURING)   |
|      | MGFS4048□□ | 100V 4.7μ F Ceramic capacitor (HMK325AC7475K TAIYOU YUDEN)          |
| C4 : | MGFS4005□□ | 2kV 1000pF Ceramic capacitor (GR431BR7LA102K MURATA MANUFACTURING)  |
|      | MGFS4024□□ | 2kV 1000pF Ceramic capacitor (GR431BR7LA102K MURATA MANUFACTURING)  |
|      | MGFS4048□□ | 2kV 1000pF Ceramic capacitor (GR431BR7LA102K MURATA MANUFACTURING)  |
| L1 : | MGFS4005□□ | 15.0A 1.0μ H Inductor (SRP7050TA-1R0M BOURNS)                       |
|      | MGFS4024□□ | 12.0A 1.8μ H Inductor (SRP7050TA-1R8M BOURNS)                       |
|      | MGFS4048□□ | 6.0A 5.6μ H Inductor (SRP7050TA-5R6M BOURNS)                        |