

# TEST DATA OF MGFS302405

Regulated DC Power Supply  
January 6, 2011

Approved by : *Kazunari Asano*  
Kazunari Asano Design Manager

Prepared by : *Masashi Ueda*  
Masashi Ueda Design Engineer

**COSEL CO.,LTD.**

## CONTENTS

1.Input Current (by Input Voltage) . . . . .	1
2.Input Current (by Load Current) . . . . .	2
3.Input Power (by Load Current) . . . . .	3
4.Efficiency (by Input Voltage) . . . . .	4
5.Efficiency (by Load Current) . . . . .	5
6.Line Regulation . . . . .	6
7.Load Regulation . . . . .	7
8.Dynamic Load Response . . . . .	8
9.Ripple Voltage (by Load Current) . . . . .	9
10.Ripple-Noise . . . . .	10
11.Ripple Voltage (by Ambient Temperature) . . . . .	11
12.Ambient Temperature Drift . . . . .	12
13.Output Voltage Accuracy . . . . .	13
14.Time Lapse Drift . . . . .	14
15.Rise and Fall Time . . . . .	15
16.Minimum Input Voltage for Regulated Output Voltage . . . . .	16
17.Overcurrent Protection . . . . .	17
18.Overvoltage Protection . . . . .	18
19.Figure of Testing Circuitry . . . . .	19

(Final Page 19)



<b>COSEL</b>																																																																																		
Model	MGFS302405	Temperature	25°C																																																																															
Item	Input Current (by Input Voltage)	Testing Circuitry	Figure A																																																																															
Object	_____																																																																																	
<p>1.Graph</p> <div style="display: flex; justify-content: space-between;"> <div style="width: 60%;"> </div> <div style="width: 35%;"> <p>—△— Load 100%</p> <p>- - -□- - Load 50%</p> <p>- · -○- · - Load 0%</p> </div> </div>		<p>2.Values</p> <table border="1" style="width: 100%; border-collapse: collapse; text-align: center;"> <thead> <tr> <th rowspan="2">Input Voltage [V]</th> <th colspan="3">Input Current [A]</th> </tr> <tr> <th>Load 0%</th> <th>Load 50%</th> <th>Load 100%</th> </tr> </thead> <tbody> <tr><td>0.0</td><td>0.000</td><td>0.000</td><td>0.000</td></tr> <tr><td>2.0</td><td>0.000</td><td>0.000</td><td>0.000</td></tr> <tr><td>4.0</td><td>0.000</td><td>0.000</td><td>0.000</td></tr> <tr><td>6.0</td><td>0.000</td><td>0.000</td><td>0.000</td></tr> <tr><td>7.0</td><td>0.000</td><td>0.000</td><td>0.000</td></tr> <tr><td>8.0</td><td>0.000</td><td>0.000</td><td>0.000</td></tr> <tr><td>8.2</td><td>0.109</td><td>2.040</td><td>4.120</td></tr> <tr><td>8.5</td><td>0.100</td><td>1.960</td><td>3.955</td></tr> <tr><td>9.0</td><td>0.093</td><td>1.866</td><td>3.726</td></tr> <tr><td>12.0</td><td>0.079</td><td>1.395</td><td>2.796</td></tr> <tr><td>18.0</td><td>0.068</td><td>0.951</td><td>1.865</td></tr> <tr><td>24.0</td><td>0.062</td><td>0.723</td><td>1.410</td></tr> <tr><td>36.0</td><td>0.058</td><td>0.502</td><td>0.959</td></tr> <tr><td>40.0</td><td>0.058</td><td>0.459</td><td>0.872</td></tr> <tr><td>--</td><td>-</td><td>-</td><td>-</td></tr> <tr><td>--</td><td>-</td><td>-</td><td>-</td></tr> <tr><td>--</td><td>-</td><td>-</td><td>-</td></tr> <tr><td>--</td><td>-</td><td>-</td><td>-</td></tr> </tbody> </table>		Input Voltage [V]	Input Current [A]			Load 0%	Load 50%	Load 100%	0.0	0.000	0.000	0.000	2.0	0.000	0.000	0.000	4.0	0.000	0.000	0.000	6.0	0.000	0.000	0.000	7.0	0.000	0.000	0.000	8.0	0.000	0.000	0.000	8.2	0.109	2.040	4.120	8.5	0.100	1.960	3.955	9.0	0.093	1.866	3.726	12.0	0.079	1.395	2.796	18.0	0.068	0.951	1.865	24.0	0.062	0.723	1.410	36.0	0.058	0.502	0.959	40.0	0.058	0.459	0.872	--	-	-	-	--	-	-	-	--	-	-	-	--	-	-	-
Input Voltage [V]	Input Current [A]																																																																																	
	Load 0%	Load 50%	Load 100%																																																																															
0.0	0.000	0.000	0.000																																																																															
2.0	0.000	0.000	0.000																																																																															
4.0	0.000	0.000	0.000																																																																															
6.0	0.000	0.000	0.000																																																																															
7.0	0.000	0.000	0.000																																																																															
8.0	0.000	0.000	0.000																																																																															
8.2	0.109	2.040	4.120																																																																															
8.5	0.100	1.960	3.955																																																																															
9.0	0.093	1.866	3.726																																																																															
12.0	0.079	1.395	2.796																																																																															
18.0	0.068	0.951	1.865																																																																															
24.0	0.062	0.723	1.410																																																																															
36.0	0.058	0.502	0.959																																																																															
40.0	0.058	0.459	0.872																																																																															
--	-	-	-																																																																															
--	-	-	-																																																																															
--	-	-	-																																																																															
--	-	-	-																																																																															
<p>Note: Slanted line shows the range of the rated input voltage.</p>																																																																																		



Model		MGFS302405		Temperature 25°C																																																																														
Item		Input Current (by Load Current)		Testing Circuitry Figure A																																																																														
Object		_____																																																																																
1.Graph		<p>                     —△— Input Volt. 9V                      - - - □ - - Input Volt. 12V                      - · · * · · - · - Input Volt. 18V                      - · · ○ · · - · - Input Volt. 24V                      - - ◇ - - Input Volt. 36V                 </p>		2.Values																																																																														
				<table border="1"> <thead> <tr> <th rowspan="2">Load Current [A]</th> <th colspan="5">Input Current [A]</th> </tr> <tr> <th>Input Volt. 9[V]</th> <th>Input Volt. 12[V]</th> <th>Input Volt. 18[V]</th> <th>Input Volt. 24[V]</th> <th>Input Volt. 36[V]</th> </tr> </thead> <tbody> <tr><td>0.0</td><td>0.091</td><td>0.077</td><td>0.067</td><td>0.061</td><td>0.058</td></tr> <tr><td>1.2</td><td>0.784</td><td>0.601</td><td>0.418</td><td>0.325</td><td>0.235</td></tr> <tr><td>2.4</td><td>1.498</td><td>1.136</td><td>0.773</td><td>0.593</td><td>0.414</td></tr> <tr><td>3.6</td><td>2.230</td><td>1.677</td><td>1.130</td><td>0.860</td><td>0.594</td></tr> <tr><td>4.8</td><td>2.962</td><td>2.238</td><td>1.504</td><td>1.139</td><td>0.779</td></tr> <tr><td>6.0</td><td>3.748</td><td>2.812</td><td>1.882</td><td>1.420</td><td>0.969</td></tr> <tr><td>6.6</td><td>4.180</td><td>3.120</td><td>2.080</td><td>1.566</td><td>1.063</td></tr> <tr><td>--</td><td>-</td><td>-</td><td>-</td><td>-</td><td>-</td></tr> <tr><td>--</td><td>-</td><td>-</td><td>-</td><td>-</td><td>-</td></tr> <tr><td>--</td><td>-</td><td>-</td><td>-</td><td>-</td><td>-</td></tr> <tr><td>--</td><td>-</td><td>-</td><td>-</td><td>-</td><td>-</td></tr> </tbody> </table>		Load Current [A]	Input Current [A]					Input Volt. 9[V]	Input Volt. 12[V]	Input Volt. 18[V]	Input Volt. 24[V]	Input Volt. 36[V]	0.0	0.091	0.077	0.067	0.061	0.058	1.2	0.784	0.601	0.418	0.325	0.235	2.4	1.498	1.136	0.773	0.593	0.414	3.6	2.230	1.677	1.130	0.860	0.594	4.8	2.962	2.238	1.504	1.139	0.779	6.0	3.748	2.812	1.882	1.420	0.969	6.6	4.180	3.120	2.080	1.566	1.063	--	-	-	-	-	-	--	-	-	-	-	-	--	-	-	-	-	-	--	-	-	-	-	-
Load Current [A]	Input Current [A]																																																																																	
	Input Volt. 9[V]	Input Volt. 12[V]	Input Volt. 18[V]	Input Volt. 24[V]	Input Volt. 36[V]																																																																													
0.0	0.091	0.077	0.067	0.061	0.058																																																																													
1.2	0.784	0.601	0.418	0.325	0.235																																																																													
2.4	1.498	1.136	0.773	0.593	0.414																																																																													
3.6	2.230	1.677	1.130	0.860	0.594																																																																													
4.8	2.962	2.238	1.504	1.139	0.779																																																																													
6.0	3.748	2.812	1.882	1.420	0.969																																																																													
6.6	4.180	3.120	2.080	1.566	1.063																																																																													
--	-	-	-	-	-																																																																													
--	-	-	-	-	-																																																																													
--	-	-	-	-	-																																																																													
--	-	-	-	-	-																																																																													
<p>Note: Slanted line shows the range of the rated load current.</p>																																																																																		



Model		MGFS302405		Temperature 25°C																																																																														
Item		Input Power (by Load Current)		Testing Circuitry Figure A																																																																														
Object		_____																																																																																
1.Graph		<p>                 —△— Input Volt. 9V                  ---□--- Input Volt. 12V                  -·-*·-· Input Volt. 18V                  -·-○-·- Input Volt. 24V                  -·-◇-·- Input Volt. 36V             </p>		2.Values																																																																														
		<table border="1"> <thead> <tr> <th rowspan="2">Load Current [A]</th> <th colspan="5">Input Power [W]</th> </tr> <tr> <th>Input Volt. 9[V]</th> <th>Input Volt. 12[V]</th> <th>Input Volt. 18[V]</th> <th>Input Volt. 24[V]</th> <th>Input Volt. 36[V]</th> </tr> </thead> <tbody> <tr><td>0.0</td><td>0.82</td><td>0.92</td><td>1.21</td><td>1.47</td><td>2.10</td></tr> <tr><td>1.2</td><td>7.07</td><td>7.19</td><td>7.48</td><td>7.78</td><td>8.47</td></tr> <tr><td>2.4</td><td>13.48</td><td>13.58</td><td>13.87</td><td>14.17</td><td>14.89</td></tr> <tr><td>3.6</td><td>20.01</td><td>20.06</td><td>20.32</td><td>20.59</td><td>21.34</td></tr> <tr><td>4.8</td><td>26.73</td><td>26.79</td><td>26.95</td><td>27.22</td><td>27.95</td></tr> <tr><td>6.0</td><td>33.67</td><td>33.63</td><td>33.80</td><td>34.00</td><td>34.80</td></tr> <tr><td>6.6</td><td>37.22</td><td>37.14</td><td>37.30</td><td>37.46</td><td>38.20</td></tr> <tr><td>--</td><td>-</td><td>-</td><td>-</td><td>-</td><td>-</td></tr> <tr><td>--</td><td>-</td><td>-</td><td>-</td><td>-</td><td>-</td></tr> <tr><td>--</td><td>-</td><td>-</td><td>-</td><td>-</td><td>-</td></tr> <tr><td>--</td><td>-</td><td>-</td><td>-</td><td>-</td><td>-</td></tr> </tbody> </table>				Load Current [A]	Input Power [W]					Input Volt. 9[V]	Input Volt. 12[V]	Input Volt. 18[V]	Input Volt. 24[V]	Input Volt. 36[V]	0.0	0.82	0.92	1.21	1.47	2.10	1.2	7.07	7.19	7.48	7.78	8.47	2.4	13.48	13.58	13.87	14.17	14.89	3.6	20.01	20.06	20.32	20.59	21.34	4.8	26.73	26.79	26.95	27.22	27.95	6.0	33.67	33.63	33.80	34.00	34.80	6.6	37.22	37.14	37.30	37.46	38.20	--	-	-	-	-	-	--	-	-	-	-	-	--	-	-	-	-	-	--	-	-	-	-	-
Load Current [A]	Input Power [W]																																																																																	
	Input Volt. 9[V]	Input Volt. 12[V]	Input Volt. 18[V]	Input Volt. 24[V]	Input Volt. 36[V]																																																																													
0.0	0.82	0.92	1.21	1.47	2.10																																																																													
1.2	7.07	7.19	7.48	7.78	8.47																																																																													
2.4	13.48	13.58	13.87	14.17	14.89																																																																													
3.6	20.01	20.06	20.32	20.59	21.34																																																																													
4.8	26.73	26.79	26.95	27.22	27.95																																																																													
6.0	33.67	33.63	33.80	34.00	34.80																																																																													
6.6	37.22	37.14	37.30	37.46	38.20																																																																													
--	-	-	-	-	-																																																																													
--	-	-	-	-	-																																																																													
--	-	-	-	-	-																																																																													
--	-	-	-	-	-																																																																													
<p>Note: Slanted line shows the range of the rated load current.</p>																																																																																		



Model		MGFS302405																																	
Item		Efficiency (by Input Voltage)																																	
Object		Temperature 25°C Testing Circuitry Figure A																																	
1.Graph		2.Values																																	
<p>---□--- Load 50% —△— Load 100%</p> <p>Efficiency [%]</p> <p>Input Voltage [V]</p> <p>Note: Slanted line shows the range of the rated input voltage.</p>		<table border="1"> <thead> <tr> <th rowspan="2">Input Voltage [V]</th> <th colspan="2">Efficiency [%]</th> </tr> <tr> <th>Load 50%</th> <th>Load 100%</th> </tr> </thead> <tbody> <tr><td>8.5</td><td>90.6</td><td>89.9</td></tr> <tr><td>9.0</td><td>90.6</td><td>89.9</td></tr> <tr><td>12.0</td><td>90.3</td><td>90.0</td></tr> <tr><td>15.0</td><td>89.6</td><td>89.9</td></tr> <tr><td>18.0</td><td>88.9</td><td>89.7</td></tr> <tr><td>24.0</td><td>87.4</td><td>89.0</td></tr> <tr><td>30.0</td><td>85.8</td><td>88.2</td></tr> <tr><td>36.0</td><td>83.9</td><td>87.1</td></tr> <tr><td>40.0</td><td>82.7</td><td>86.5</td></tr> </tbody> </table>		Input Voltage [V]	Efficiency [%]		Load 50%	Load 100%	8.5	90.6	89.9	9.0	90.6	89.9	12.0	90.3	90.0	15.0	89.6	89.9	18.0	88.9	89.7	24.0	87.4	89.0	30.0	85.8	88.2	36.0	83.9	87.1	40.0	82.7	86.5
Input Voltage [V]	Efficiency [%]																																		
	Load 50%	Load 100%																																	
8.5	90.6	89.9																																	
9.0	90.6	89.9																																	
12.0	90.3	90.0																																	
15.0	89.6	89.9																																	
18.0	88.9	89.7																																	
24.0	87.4	89.0																																	
30.0	85.8	88.2																																	
36.0	83.9	87.1																																	
40.0	82.7	86.5																																	



Model		MGFS302405		Temperature 25°C																																																																														
Item		Efficiency (by Load Current)		Testing Circuitry Figure A																																																																														
Object		_____																																																																																
1.Graph		<ul style="list-style-type: none"> <li>—△— Input Volt. 9V</li> <li>---□--- Input Volt. 12V</li> <li>-·-·*·-·- Input Volt. 18V</li> <li>-·-·○-·-·- Input Volt. 24V</li> <li>-·-·◇-·-·- Input Volt. 36V</li> </ul>		2.Values																																																																														
		<table border="1"> <thead> <tr> <th rowspan="2">Load Current [A]</th> <th colspan="5">Efficiency [%]</th> </tr> <tr> <th>Input Volt. 9[V]</th> <th>Input Volt. 12[V]</th> <th>Input Volt. 18[V]</th> <th>Input Volt. 24[V]</th> <th>Input Volt. 36[V]</th> </tr> </thead> <tbody> <tr><td>0.0</td><td>-</td><td>-</td><td>-</td><td>-</td><td>-</td></tr> <tr><td>1.2</td><td>86.0</td><td>84.5</td><td>81.3</td><td>78.1</td><td>71.8</td></tr> <tr><td>2.4</td><td>90.2</td><td>89.5</td><td>87.7</td><td>85.8</td><td>81.7</td></tr> <tr><td>3.6</td><td>90.8</td><td>90.6</td><td>89.4</td><td>88.3</td><td>85.2</td></tr> <tr><td>4.8</td><td>90.7</td><td>90.5</td><td>90.0</td><td>89.1</td><td>86.8</td></tr> <tr><td>6.0</td><td>90.0</td><td>90.1</td><td>89.7</td><td>89.2</td><td>87.1</td></tr> <tr><td>6.6</td><td>89.6</td><td>89.8</td><td>89.4</td><td>89.0</td><td>87.3</td></tr> <tr><td>--</td><td>-</td><td>-</td><td>-</td><td>-</td><td>-</td></tr> <tr><td>--</td><td>-</td><td>-</td><td>-</td><td>-</td><td>-</td></tr> <tr><td>--</td><td>-</td><td>-</td><td>-</td><td>-</td><td>-</td></tr> <tr><td>--</td><td>-</td><td>-</td><td>-</td><td>-</td><td>-</td></tr> </tbody> </table>		Load Current [A]	Efficiency [%]					Input Volt. 9[V]	Input Volt. 12[V]	Input Volt. 18[V]	Input Volt. 24[V]	Input Volt. 36[V]	0.0	-	-	-	-	-	1.2	86.0	84.5	81.3	78.1	71.8	2.4	90.2	89.5	87.7	85.8	81.7	3.6	90.8	90.6	89.4	88.3	85.2	4.8	90.7	90.5	90.0	89.1	86.8	6.0	90.0	90.1	89.7	89.2	87.1	6.6	89.6	89.8	89.4	89.0	87.3	--	-	-	-	-	-	--	-	-	-	-	-	--	-	-	-	-	-	--	-	-	-	-	-		
Load Current [A]	Efficiency [%]																																																																																	
	Input Volt. 9[V]	Input Volt. 12[V]	Input Volt. 18[V]	Input Volt. 24[V]	Input Volt. 36[V]																																																																													
0.0	-	-	-	-	-																																																																													
1.2	86.0	84.5	81.3	78.1	71.8																																																																													
2.4	90.2	89.5	87.7	85.8	81.7																																																																													
3.6	90.8	90.6	89.4	88.3	85.2																																																																													
4.8	90.7	90.5	90.0	89.1	86.8																																																																													
6.0	90.0	90.1	89.7	89.2	87.1																																																																													
6.6	89.6	89.8	89.4	89.0	87.3																																																																													
--	-	-	-	-	-																																																																													
--	-	-	-	-	-																																																																													
--	-	-	-	-	-																																																																													
--	-	-	-	-	-																																																																													
<p>Note: Slanted line shows the range of the rated load current.</p>																																																																																		



<b>COSEL</b>																																			
Model	MGFS302405	Temperature	25°C																																
Item	Line Regulation	Testing Circuitry	Figure A																																
Object	+5V6A																																		
<p>1.Graph</p> <div style="text-align: right;"> <p>---□--- Load 50%</p> <p>—△— Load 100%</p> </div> <p style="text-align: center;">Note: Slanted line shows the range of the rated input voltage.</p>		<p>2.Values</p> <table border="1"> <thead> <tr> <th rowspan="2">Input Voltage [V]</th> <th colspan="2">Output Voltage [V]</th> </tr> <tr> <th>Load 50%</th> <th>Load 100%</th> </tr> </thead> <tbody> <tr><td>8.5</td><td>5.053</td><td>5.053</td></tr> <tr><td>9.0</td><td>5.053</td><td>5.054</td></tr> <tr><td>12.0</td><td>5.054</td><td>5.054</td></tr> <tr><td>15.0</td><td>5.054</td><td>5.054</td></tr> <tr><td>18.0</td><td>5.054</td><td>5.054</td></tr> <tr><td>24.0</td><td>5.054</td><td>5.054</td></tr> <tr><td>30.0</td><td>5.054</td><td>5.055</td></tr> <tr><td>36.0</td><td>5.054</td><td>5.055</td></tr> <tr><td>40.0</td><td>5.054</td><td>5.055</td></tr> </tbody> </table>		Input Voltage [V]	Output Voltage [V]		Load 50%	Load 100%	8.5	5.053	5.053	9.0	5.053	5.054	12.0	5.054	5.054	15.0	5.054	5.054	18.0	5.054	5.054	24.0	5.054	5.054	30.0	5.054	5.055	36.0	5.054	5.055	40.0	5.054	5.055
Input Voltage [V]	Output Voltage [V]																																		
	Load 50%	Load 100%																																	
8.5	5.053	5.053																																	
9.0	5.053	5.054																																	
12.0	5.054	5.054																																	
15.0	5.054	5.054																																	
18.0	5.054	5.054																																	
24.0	5.054	5.054																																	
30.0	5.054	5.055																																	
36.0	5.054	5.055																																	
40.0	5.054	5.055																																	



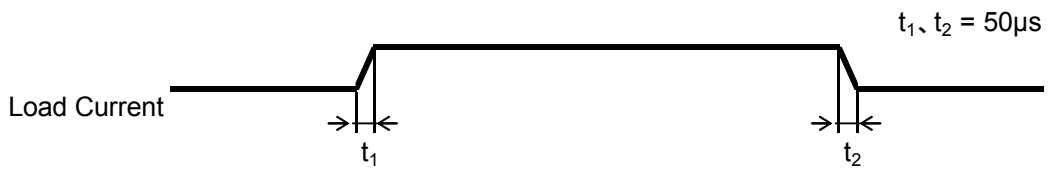


<p>Model MGFS302405</p>		<p>Temperature 25°C</p>																																																																														
<p>Item Load Regulation</p>		<p>Testing Circuitry Figure A</p>																																																																														
<p>Object +5V6A</p>																																																																																
<p>1. Graph</p>		<p>2. Values</p>																																																																														
<p>                     —△— Input Volt. 9V                      ---□--- Input Volt. 12V                      -·-*·-·- Input Volt. 18V                      -·-○-·- Input Volt. 24V                      ---◇--- Input Volt. 36V                 </p> <p>Output Voltage [V]</p> <p>Load Current [A]</p>		<table border="1"> <thead> <tr> <th rowspan="2">Load Current [A]</th> <th colspan="5">Output Voltage [V]</th> </tr> <tr> <th>Input Volt. 9[V]</th> <th>Input Volt. 12[V]</th> <th>Input Volt. 18[V]</th> <th>Input Volt. 24[V]</th> <th>Input Volt. 36[V]</th> </tr> </thead> <tbody> <tr><td>0.0</td><td>5.059</td><td>5.059</td><td>5.059</td><td>5.059</td><td>5.059</td></tr> <tr><td>1.2</td><td>5.059</td><td>5.058</td><td>5.058</td><td>5.058</td><td>5.058</td></tr> <tr><td>2.4</td><td>5.058</td><td>5.058</td><td>5.058</td><td>5.058</td><td>5.058</td></tr> <tr><td>3.6</td><td>5.058</td><td>5.057</td><td>5.057</td><td>5.057</td><td>5.057</td></tr> <tr><td>4.8</td><td>5.057</td><td>5.057</td><td>5.057</td><td>5.057</td><td>5.057</td></tr> <tr><td>6.0</td><td>5.056</td><td>5.056</td><td>5.056</td><td>5.056</td><td>5.056</td></tr> <tr><td>6.6</td><td>5.056</td><td>5.056</td><td>5.056</td><td>5.056</td><td>5.056</td></tr> <tr><td>--</td><td>-</td><td>-</td><td>-</td><td>-</td><td>-</td></tr> <tr><td>--</td><td>-</td><td>-</td><td>-</td><td>-</td><td>-</td></tr> <tr><td>--</td><td>-</td><td>-</td><td>-</td><td>-</td><td>-</td></tr> <tr><td>--</td><td>-</td><td>-</td><td>-</td><td>-</td><td>-</td></tr> </tbody> </table>		Load Current [A]	Output Voltage [V]					Input Volt. 9[V]	Input Volt. 12[V]	Input Volt. 18[V]	Input Volt. 24[V]	Input Volt. 36[V]	0.0	5.059	5.059	5.059	5.059	5.059	1.2	5.059	5.058	5.058	5.058	5.058	2.4	5.058	5.058	5.058	5.058	5.058	3.6	5.058	5.057	5.057	5.057	5.057	4.8	5.057	5.057	5.057	5.057	5.057	6.0	5.056	5.056	5.056	5.056	5.056	6.6	5.056	5.056	5.056	5.056	5.056	--	-	-	-	-	-	--	-	-	-	-	-	--	-	-	-	-	-	--	-	-	-	-	-
Load Current [A]	Output Voltage [V]																																																																															
	Input Volt. 9[V]	Input Volt. 12[V]	Input Volt. 18[V]	Input Volt. 24[V]	Input Volt. 36[V]																																																																											
0.0	5.059	5.059	5.059	5.059	5.059																																																																											
1.2	5.059	5.058	5.058	5.058	5.058																																																																											
2.4	5.058	5.058	5.058	5.058	5.058																																																																											
3.6	5.058	5.057	5.057	5.057	5.057																																																																											
4.8	5.057	5.057	5.057	5.057	5.057																																																																											
6.0	5.056	5.056	5.056	5.056	5.056																																																																											
6.6	5.056	5.056	5.056	5.056	5.056																																																																											
--	-	-	-	-	-																																																																											
--	-	-	-	-	-																																																																											
--	-	-	-	-	-																																																																											
--	-	-	-	-	-																																																																											
<p>Note: Slanted line shows the range of the rated load current.</p>																																																																																

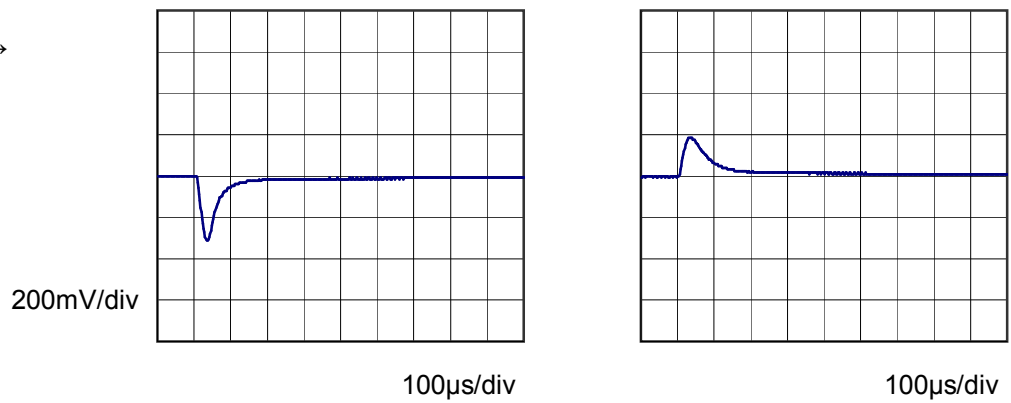


Model	MGFS302405	Temperature	25°C
Item	Dynamic Load Response	Testing Circuitry	Figure A
Object	+5V6A		

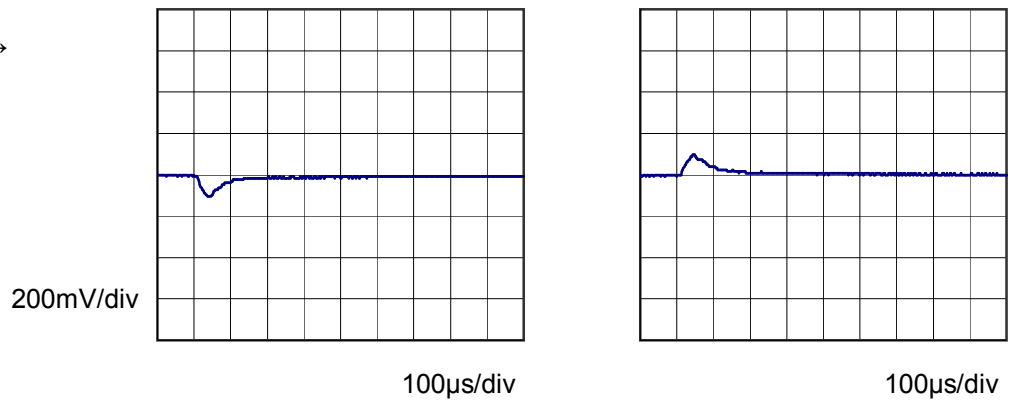
Input Volt. 24 V  
 Cycle 1000 ms



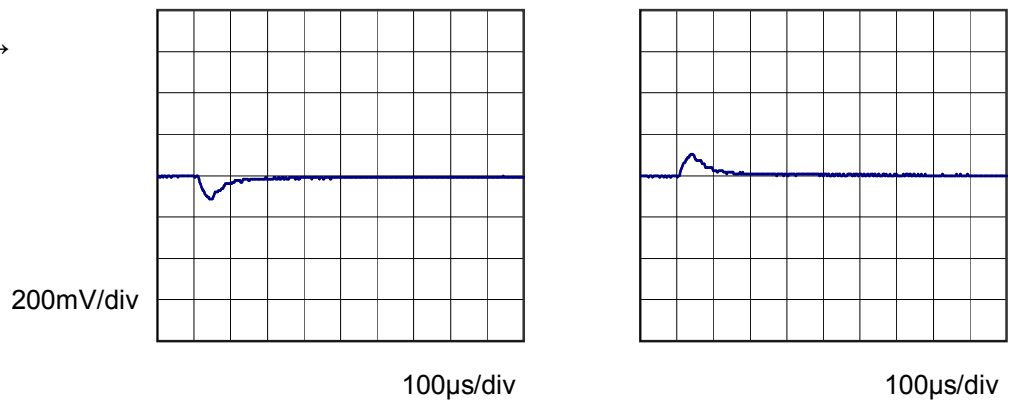
Min. Load (0A) ←→  
 Load 100% (6A)



Min. Load (0A) ←→  
 Load 50% (3A)

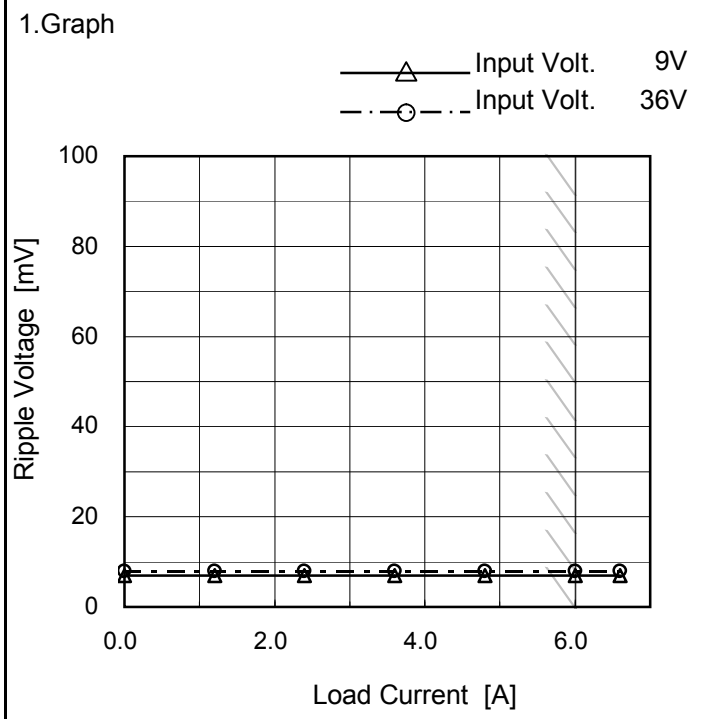


Load 50% (3A) ←→  
 Load 100% (6A)





Model	MGFS302405	Temperature	25°C
Item	Ripple Voltage (by Load Current)	Testing Circuitry	Figure B
Object	+5V6A		



2.Values

Load Current [A]	Ripple Voltage [mV]	
	Input Volt. 9 [V]	Input Volt. 36 [V]
0.0	7	8
1.2	7	8
2.4	7	8
3.6	7	8
4.8	7	8
6.0	7	8
6.6	7	8
--	-	-
--	-	-
--	-	-
--	-	-

Ripple Voltage is shown as p-p in the figure below.  
 Note: Slanted line shows the range of the rated load current.

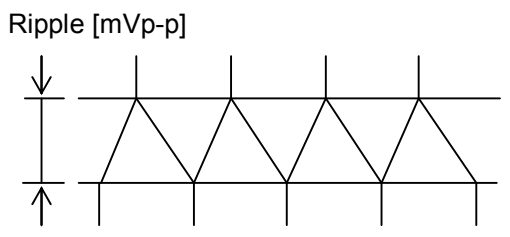
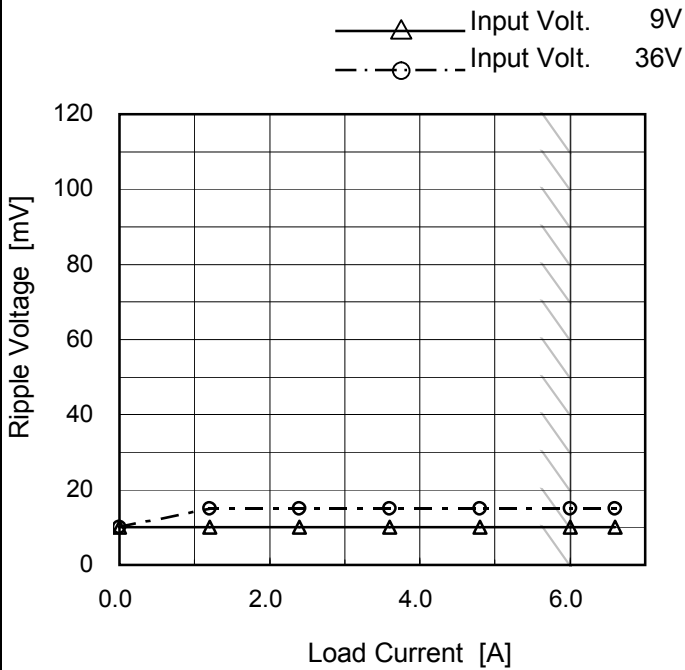


Fig.Complex Ripple Wave Form



Model	MGFS302405	Temperature	25°C
Item	Ripple-Noise	Testing Circuitry	Figure B
Object	+5V6A		

1.Graph



2.Values

Load Current [A]	Ripple-Noise [mV]	
	Input Volt. 9 [V]	Input Volt. 36 [V]
0.0	10	10
1.2	10	15
2.4	10	15
3.6	10	15
4.8	10	15
6.0	10	15
6.6	10	15
--	-	-
--	-	-
--	-	-
--	-	-

Ripple-Noise is shown as p-p in the figure below.  
 Note: Slanted line shows the range of the rated load current.

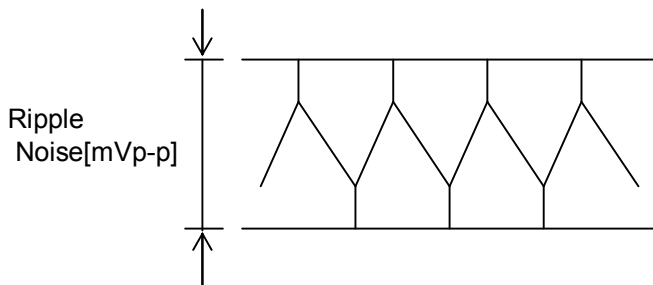


Fig.Complex Ripple Noise Wave Form



Model		MGFS302405																																							
Item		Ripple Voltage (by Ambient Temp.)																																							
Object		+5V6A																																							
1.Graph		Testing Circuitry Figure B																																							
<p>100 80 60 40 20 0</p> <p>Ripple Voltage [mV]</p> <p>---□--- Load 50% —△— Load 100%</p> <p>Ambient Temperature [°C]</p> <p>Input Volt. 24V</p>		2.Values																																							
		<table border="1"> <thead> <tr> <th rowspan="2">Ambient Temperature [°C]</th> <th colspan="2">Ripple Voltage [mV]</th> </tr> <tr> <th>Load 50%</th> <th>Load 100%</th> </tr> </thead> <tbody> <tr> <td>-60</td> <td>9</td> <td>9</td> </tr> <tr> <td>-40</td> <td>6</td> <td>6</td> </tr> <tr> <td>-20</td> <td>6</td> <td>6</td> </tr> <tr> <td>0</td> <td>6</td> <td>6</td> </tr> <tr> <td>25</td> <td>6</td> <td>6</td> </tr> <tr> <td>60</td> <td>5</td> <td>5</td> </tr> <tr> <td>65</td> <td>5</td> <td>5</td> </tr> <tr> <td>--</td> <td>-</td> <td>-</td> </tr> <tr> <td>--</td> <td>-</td> <td>-</td> </tr> <tr> <td>--</td> <td>-</td> <td>-</td> </tr> <tr> <td>--</td> <td>-</td> <td>-</td> </tr> </tbody> </table>		Ambient Temperature [°C]	Ripple Voltage [mV]		Load 50%	Load 100%	-60	9	9	-40	6	6	-20	6	6	0	6	6	25	6	6	60	5	5	65	5	5	--	-	-	--	-	-	--	-	-	--	-	-
Ambient Temperature [°C]	Ripple Voltage [mV]																																								
	Load 50%	Load 100%																																							
-60	9	9																																							
-40	6	6																																							
-20	6	6																																							
0	6	6																																							
25	6	6																																							
60	5	5																																							
65	5	5																																							
--	-	-																																							
--	-	-																																							
--	-	-																																							
--	-	-																																							
<p>Measured by 100 MHz Oscilloscope. Note: Slanted line shows the range of the rated ambient temperature.</p>																																									



<p>Model MGFS302405</p> <p>Item Ambient Temperature Drift</p> <p>Object +5V6A</p>		<p>Testing Circuitry Figure A</p>																																																																												
<p>1.Graph</p> <p>—△— Input Volt. 9V          ---□--- Input Volt. 12V          -·-*·-·- Input Volt. 18V          -·-○-·- Input Volt. 24V          -·-◇-·- Input Volt. 36V</p> <p>Output Voltage [V]</p> <p>Ambient Temperature [°C]</p> <p>Load 100%</p> <p>Note: Slanted line shows the range of the rated ambient temperature.</p>	<p>2.Values</p> <table border="1"> <thead> <tr> <th rowspan="2">Ambient Temperature [°C]</th> <th colspan="5">Output Voltage [V]</th> </tr> <tr> <th>Input Volt. 9[V]</th> <th>Input Volt. 12[V]</th> <th>Input Volt. 18[V]</th> <th>Input Volt. 24[V]</th> <th>Input Volt. 36[V]</th> </tr> </thead> <tbody> <tr><td>-60</td><td>5.023</td><td>5.024</td><td>5.026</td><td>5.028</td><td>5.030</td></tr> <tr><td>-40</td><td>5.033</td><td>5.034</td><td>5.034</td><td>5.035</td><td>5.037</td></tr> <tr><td>-20</td><td>5.040</td><td>5.041</td><td>5.042</td><td>5.042</td><td>5.043</td></tr> <tr><td>0</td><td>5.047</td><td>5.047</td><td>5.047</td><td>5.048</td><td>5.049</td></tr> <tr><td>25</td><td>5.053</td><td>5.053</td><td>5.054</td><td>5.054</td><td>5.054</td></tr> <tr><td>60</td><td>5.057</td><td>5.057</td><td>5.057</td><td>5.058</td><td>5.058</td></tr> <tr><td>65</td><td>5.058</td><td>5.058</td><td>5.058</td><td>5.058</td><td>5.058</td></tr> <tr><td>--</td><td>-</td><td>-</td><td>-</td><td>-</td><td>-</td></tr> <tr><td>--</td><td>-</td><td>-</td><td>-</td><td>-</td><td>-</td></tr> <tr><td>--</td><td>-</td><td>-</td><td>-</td><td>-</td><td>-</td></tr> <tr><td>--</td><td>-</td><td>-</td><td>-</td><td>-</td><td>-</td></tr> </tbody> </table>	Ambient Temperature [°C]	Output Voltage [V]					Input Volt. 9[V]	Input Volt. 12[V]	Input Volt. 18[V]	Input Volt. 24[V]	Input Volt. 36[V]	-60	5.023	5.024	5.026	5.028	5.030	-40	5.033	5.034	5.034	5.035	5.037	-20	5.040	5.041	5.042	5.042	5.043	0	5.047	5.047	5.047	5.048	5.049	25	5.053	5.053	5.054	5.054	5.054	60	5.057	5.057	5.057	5.058	5.058	65	5.058	5.058	5.058	5.058	5.058	--	-	-	-	-	-	--	-	-	-	-	-	--	-	-	-	-	-	--	-	-	-	-	-
Ambient Temperature [°C]	Output Voltage [V]																																																																													
	Input Volt. 9[V]	Input Volt. 12[V]	Input Volt. 18[V]	Input Volt. 24[V]	Input Volt. 36[V]																																																																									
-60	5.023	5.024	5.026	5.028	5.030																																																																									
-40	5.033	5.034	5.034	5.035	5.037																																																																									
-20	5.040	5.041	5.042	5.042	5.043																																																																									
0	5.047	5.047	5.047	5.048	5.049																																																																									
25	5.053	5.053	5.054	5.054	5.054																																																																									
60	5.057	5.057	5.057	5.058	5.058																																																																									
65	5.058	5.058	5.058	5.058	5.058																																																																									
--	-	-	-	-	-																																																																									
--	-	-	-	-	-																																																																									
--	-	-	-	-	-																																																																									
--	-	-	-	-	-																																																																									



<b>COSEL</b>		
Model	MGFS302405	
Item	Output Voltage Accuracy	Testing Circuitry Figure A
Object	+5V6A	

1. Output Voltage Accuracy

This is defined as the value of the output voltage, regulation load, ambient temperature and input voltage varied at random in the range as specified below.

Temperature : -40 - 60°C

Input Voltage : 9 - 36V

Load Current : 0 - 6A

\* Output Voltage Accuracy =  $\pm(\text{Maximum of Output Voltage} - \text{Minimum of Output Voltage}) / 2$

\* Output Voltage Accuracy (Ration) = 
$$\frac{\text{Output Voltage Accuracy}}{\text{Rated Output Voltage}} \times 100$$

2. Values

Item	Temperature [°C]	Input Voltage[V]	Output		Output Voltage Accuracy	
			Current[A]	Voltage[V]	Value [mV]	Ration [%]
Maximum Voltage	60	36	0	5.060	±14	±0.3
Minimum Voltage	-40	9	6	5.033		



<b>COSEL</b>																								
Model	MGFS302405																							
Item	Time Lapse Drift	Temperature 25°C Testing Circuitry Figure A																						
Object	+5V6A																							
<p>1. Graph</p> <p style="text-align: center;">Time [H]</p> <p>Input Volt. 24V Load 100%</p>		<p>2. Values</p> <table border="1"> <thead> <tr> <th>Time since start [H]</th> <th>Output Voltage [V]</th> </tr> </thead> <tbody> <tr><td>0.0</td><td>5.055</td></tr> <tr><td>0.5</td><td>5.056</td></tr> <tr><td>1.0</td><td>5.056</td></tr> <tr><td>2.0</td><td>5.056</td></tr> <tr><td>3.0</td><td>5.056</td></tr> <tr><td>4.0</td><td>5.056</td></tr> <tr><td>5.0</td><td>5.056</td></tr> <tr><td>6.0</td><td>5.056</td></tr> <tr><td>7.0</td><td>5.056</td></tr> <tr><td>8.0</td><td>5.056</td></tr> </tbody> </table>	Time since start [H]	Output Voltage [V]	0.0	5.055	0.5	5.056	1.0	5.056	2.0	5.056	3.0	5.056	4.0	5.056	5.0	5.056	6.0	5.056	7.0	5.056	8.0	5.056
Time since start [H]	Output Voltage [V]																							
0.0	5.055																							
0.5	5.056																							
1.0	5.056																							
2.0	5.056																							
3.0	5.056																							
4.0	5.056																							
5.0	5.056																							
6.0	5.056																							
7.0	5.056																							
8.0	5.056																							

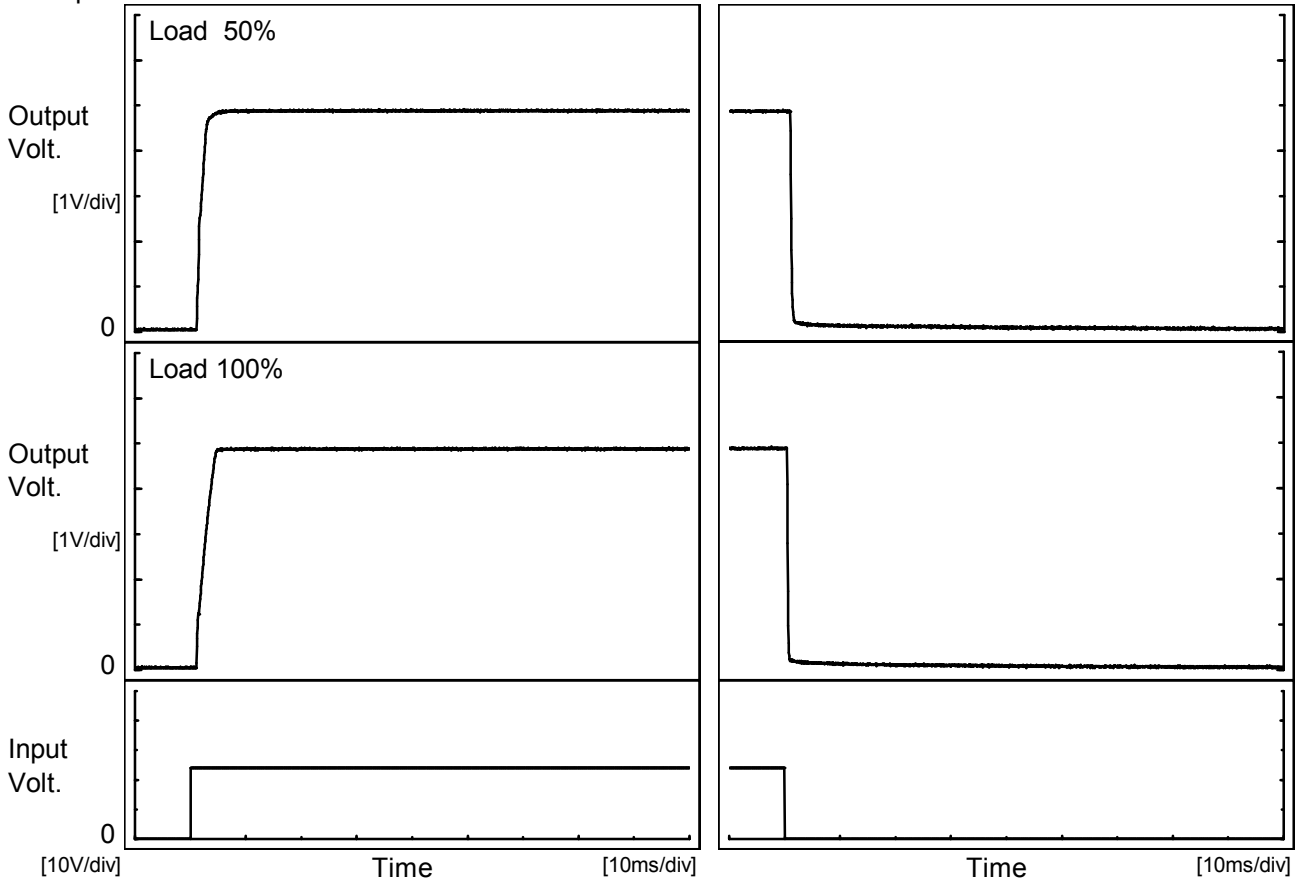




Model		MGFS302405	Temperature	25°C
Item		Rise and Fall Time	Testing Circuitry	Figure A
Object		+5V6A		

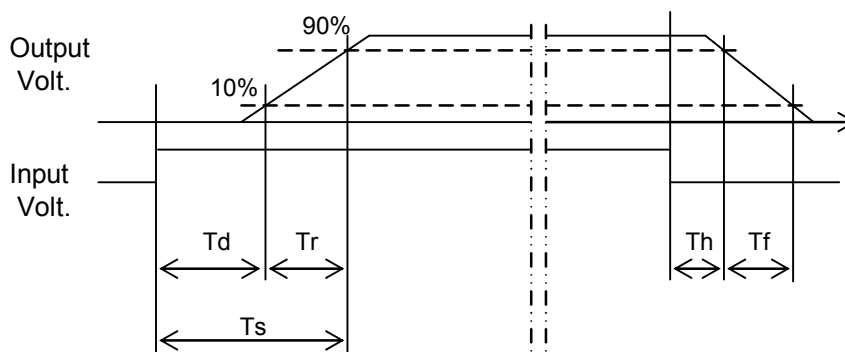
1. Graph

Input Volt. 24 V



2. Values

		[ms]				
Load \ Time	Time	Td	Tr	Ts	Th	Tf
50 %		1.2	1.8	3.0	0.9	0.5
100 %		1.2	3.1	4.3	0.5	0.2





<b>COSEL</b>																																								
Model	MGFS302405																																							
Item	Minimum Input Voltage for Regulated Output Voltage	Testing Circuitry Figure A																																						
Object	+5V6A																																							
<p>1.Graph</p> <p style="text-align: center;"> <span style="margin-right: 20px;">---□--- Load 50%</span>  <span>—△— Load 100%</span> </p>		<p>2.Values</p> <table border="1"> <thead> <tr> <th rowspan="2">Ambient Temperature [°C]</th> <th colspan="2">Input Voltage [V]</th> </tr> <tr> <th>Load 50%</th> <th>Load 100%</th> </tr> </thead> <tbody> <tr><td>-60</td><td>7.9</td><td>7.9</td></tr> <tr><td>-40</td><td>7.9</td><td>7.9</td></tr> <tr><td>-20</td><td>7.9</td><td>7.9</td></tr> <tr><td>0</td><td>7.9</td><td>7.9</td></tr> <tr><td>25</td><td>7.9</td><td>8.0</td></tr> <tr><td>60</td><td>7.8</td><td>7.9</td></tr> <tr><td>65</td><td>7.8</td><td>7.9</td></tr> <tr><td>--</td><td>-</td><td>-</td></tr> <tr><td>--</td><td>-</td><td>-</td></tr> <tr><td>--</td><td>-</td><td>-</td></tr> <tr><td>--</td><td>-</td><td>-</td></tr> </tbody> </table>	Ambient Temperature [°C]	Input Voltage [V]		Load 50%	Load 100%	-60	7.9	7.9	-40	7.9	7.9	-20	7.9	7.9	0	7.9	7.9	25	7.9	8.0	60	7.8	7.9	65	7.8	7.9	--	-	-	--	-	-	--	-	-	--	-	-
Ambient Temperature [°C]	Input Voltage [V]																																							
	Load 50%	Load 100%																																						
-60	7.9	7.9																																						
-40	7.9	7.9																																						
-20	7.9	7.9																																						
0	7.9	7.9																																						
25	7.9	8.0																																						
60	7.8	7.9																																						
65	7.8	7.9																																						
--	-	-																																						
--	-	-																																						
--	-	-																																						
--	-	-																																						
<p>Note: Slanted line shows the range of the rated ambient temperature.</p>																																								



<p>Model MGFS302405</p>		<p>Temperature 25°C Testing Circuitry Figure A</p>																																																																																			
<p>Item Overcurrent Protection</p>																																																																																					
<p>Object +5V6A</p>																																																																																					
<p>1.Graph</p> <div style="display: flex; align-items: flex-start;"> <div style="margin-right: 20px;"> <p>—△ Input Volt. 9V</p> <p>—□ Input Volt. 12V</p> <p>—* Input Volt. 18V</p> <p>—○ Input Volt. 24V</p> <p>—◇ Input Volt. 36V</p> </div> </div>		<p>2.Values</p> <table border="1"> <thead> <tr> <th rowspan="2">Output Voltage [V]</th> <th colspan="5">Load Current [A]</th> </tr> <tr> <th>Input Volt. 9[V]</th> <th>Input Volt. 12[V]</th> <th>Input Volt. 18[V]</th> <th>Input Volt. 24[V]</th> <th>Input Volt. 36[V]</th> </tr> </thead> <tbody> <tr><td>5.00</td><td>8.014</td><td>8.063</td><td>8.046</td><td>8.006</td><td>7.653</td></tr> <tr><td>4.75</td><td>-</td><td>-</td><td>-</td><td>-</td><td>-</td></tr> <tr><td>4.50</td><td>-</td><td>-</td><td>-</td><td>-</td><td>-</td></tr> <tr><td>4.00</td><td>-</td><td>-</td><td>-</td><td>-</td><td>-</td></tr> <tr><td>3.50</td><td>-</td><td>-</td><td>-</td><td>-</td><td>-</td></tr> <tr><td>3.00</td><td>-</td><td>-</td><td>-</td><td>-</td><td>-</td></tr> <tr><td>2.50</td><td>-</td><td>-</td><td>-</td><td>-</td><td>-</td></tr> <tr><td>2.00</td><td>-</td><td>-</td><td>-</td><td>-</td><td>-</td></tr> <tr><td>1.50</td><td>-</td><td>-</td><td>-</td><td>-</td><td>-</td></tr> <tr><td>1.00</td><td>-</td><td>-</td><td>-</td><td>-</td><td>-</td></tr> <tr><td>0.50</td><td>-</td><td>-</td><td>-</td><td>-</td><td>-</td></tr> <tr><td>0.00</td><td>-</td><td>-</td><td>-</td><td>-</td><td>-</td></tr> </tbody> </table>	Output Voltage [V]	Load Current [A]					Input Volt. 9[V]	Input Volt. 12[V]	Input Volt. 18[V]	Input Volt. 24[V]	Input Volt. 36[V]	5.00	8.014	8.063	8.046	8.006	7.653	4.75	-	-	-	-	-	4.50	-	-	-	-	-	4.00	-	-	-	-	-	3.50	-	-	-	-	-	3.00	-	-	-	-	-	2.50	-	-	-	-	-	2.00	-	-	-	-	-	1.50	-	-	-	-	-	1.00	-	-	-	-	-	0.50	-	-	-	-	-	0.00	-	-	-	-	-
Output Voltage [V]	Load Current [A]																																																																																				
	Input Volt. 9[V]	Input Volt. 12[V]	Input Volt. 18[V]	Input Volt. 24[V]	Input Volt. 36[V]																																																																																
5.00	8.014	8.063	8.046	8.006	7.653																																																																																
4.75	-	-	-	-	-																																																																																
4.50	-	-	-	-	-																																																																																
4.00	-	-	-	-	-																																																																																
3.50	-	-	-	-	-																																																																																
3.00	-	-	-	-	-																																																																																
2.50	-	-	-	-	-																																																																																
2.00	-	-	-	-	-																																																																																
1.50	-	-	-	-	-																																																																																
1.00	-	-	-	-	-																																																																																
0.50	-	-	-	-	-																																																																																
0.00	-	-	-	-	-																																																																																
<p>Note: Slanted line shows the range of the rated load current.</p> <p>Intermittent operation occurs when overcurrent protection is activated.</p>																																																																																					



<b>COSEL</b>																																								
Model	MGFS302405																																							
Item	Overvoltage Protection	Testing Circuitry Figure A																																						
Object	+5V6A																																							
<p>1. Graph</p> <div style="text-align: right;"> <p>—△— Input Volt. 24V</p> <p>---□--- Input Volt. 36V</p> </div> <p style="text-align: center;">Ambient Temperature [°C]</p> <p style="text-align: right;">Load 0%</p> <p>Note: Slanted line shows the range of the rated ambient temperature.</p>		<p>2. Values</p> <table border="1"> <thead> <tr> <th rowspan="2">Ambient Temperature [°C]</th> <th colspan="2">Operating Point [V]</th> </tr> <tr> <th>Input Volt. 24[V]</th> <th>Input Volt. 36[V]</th> </tr> </thead> <tbody> <tr><td>-60</td><td>6.95</td><td>6.96</td></tr> <tr><td>-40</td><td>6.93</td><td>6.94</td></tr> <tr><td>-20</td><td>6.92</td><td>6.93</td></tr> <tr><td>0</td><td>6.91</td><td>6.92</td></tr> <tr><td>25</td><td>6.91</td><td>6.92</td></tr> <tr><td>60</td><td>6.91</td><td>6.92</td></tr> <tr><td>65</td><td>6.91</td><td>6.92</td></tr> <tr><td>--</td><td>-</td><td>-</td></tr> <tr><td>--</td><td>-</td><td>-</td></tr> <tr><td>--</td><td>-</td><td>-</td></tr> <tr><td>--</td><td>-</td><td>-</td></tr> </tbody> </table>	Ambient Temperature [°C]	Operating Point [V]		Input Volt. 24[V]	Input Volt. 36[V]	-60	6.95	6.96	-40	6.93	6.94	-20	6.92	6.93	0	6.91	6.92	25	6.91	6.92	60	6.91	6.92	65	6.91	6.92	--	-	-	--	-	-	--	-	-	--	-	-
Ambient Temperature [°C]	Operating Point [V]																																							
	Input Volt. 24[V]	Input Volt. 36[V]																																						
-60	6.95	6.96																																						
-40	6.93	6.94																																						
-20	6.92	6.93																																						
0	6.91	6.92																																						
25	6.91	6.92																																						
60	6.91	6.92																																						
65	6.91	6.92																																						
--	-	-																																						
--	-	-																																						
--	-	-																																						
--	-	-																																						

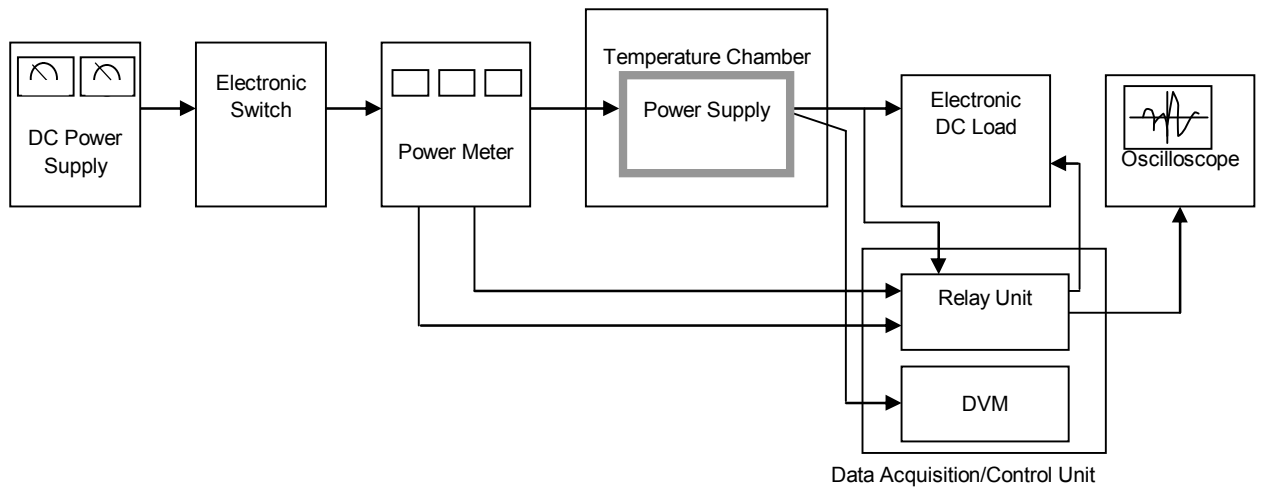


Figure A

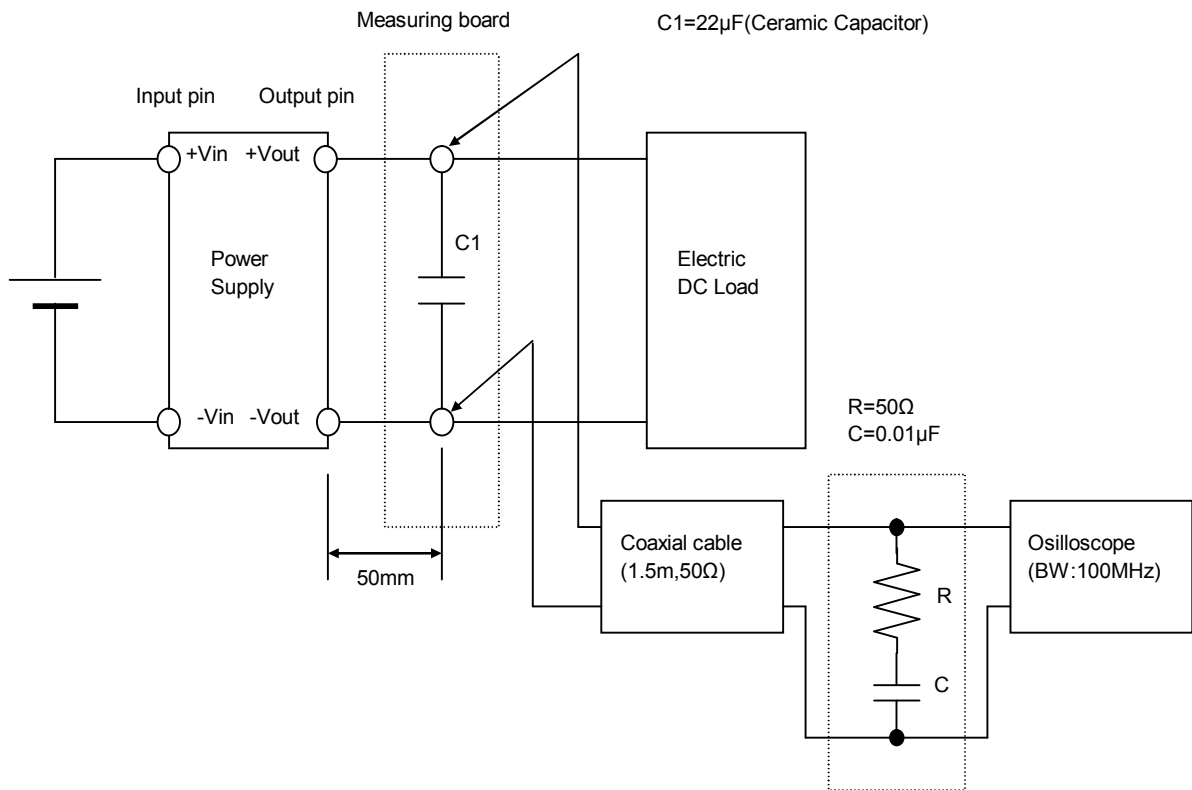


Figure B (Ripple and Ripple noise Characteristic)