

SNR series (10A)

SNR -10 -223 -□

① ② ③ ④

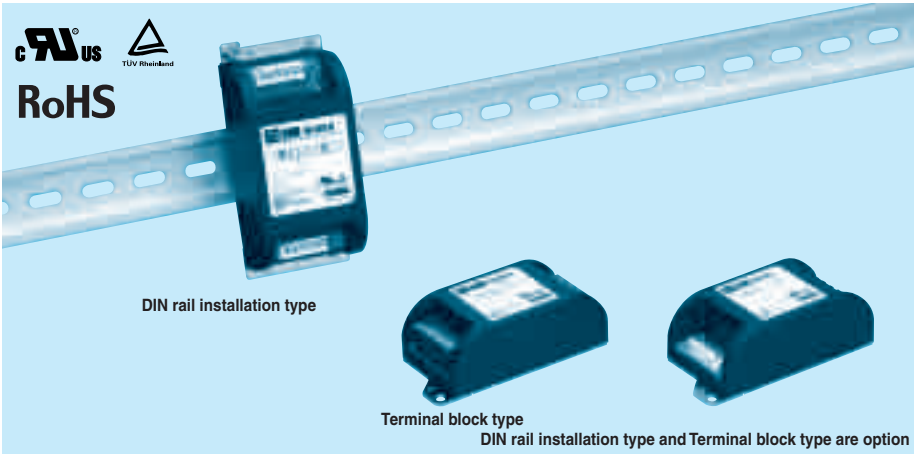
- ① Model Name
- ② Rated Current
- ③ Line to ground capacitor code: See table 1.1.

table 1.1 Line to ground capacitor code

Code	Line to ground capacitor (nominal value)
000	Not Provided
223	22000pF

- ④ Options
- D :DIN rail installation type
- T :Terminal block type
- DT :Terminal block and DIN rail type

* The dimensions change when the option is set. Refer to External view.



RoHS

Features of SNR series (10A)

Ripple noise attenuation type for switch mode power supplies(DC)

· 50 VDC

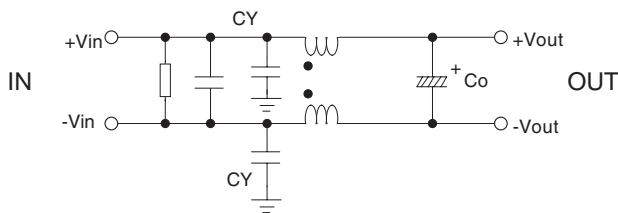
· Best filter for switch mode power supplies of analog circuits

Specifications

No.	Items	SNR-10-223
		Interface:Connector
1	Rated Voltage DC[V]	50
2	Rated Current DC[A]	*1 10 (Peak 20)
3	Test Voltage (Terminal-Mounting Plate)	500 VAC (Cutoff Current = 100mA), 1minute at room temperature and humidity
4	Isolation Resistance (Terminal-Mounting Plate)	500 VDC 50MΩ min at room temperature and humidity
5	D.C Resistance[mΩ]	20 max
6	Operating temperature	-40 to +71°C (Refer to Derating Curve)
7	Operating humidity	20 to 95%RH (Non condensing)
8	Storage temperature/humidity	-40 to +75°C/20 to 95%RH (Non condensing)
9	Vibration	10 to 55Hz, 19.6m/s ² (2G), 3min. Period, 1hour each X, Y and Z axis
10	Impact	196.1m/s ² (20G), 11ms Once each X, Y and Z axis
11	Safety agency approvals	UL60950-1, C-UL (CSA60950-1), EN60950-1
12	Case size (without projection) /Weight	52 X 35 X 117 mm [2.05 X 1.38 X 4.61 inches] (W X H X D) /140g max (Option : -D, -T, -DT refer to external view)

*1 Peak current for 10 sec. And Duty 35% max, refer to Instruction Manual 5. In detail.

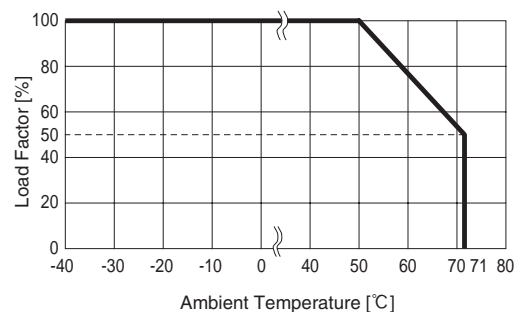
Circuit Diagram



CY : Line to ground capacitor Co : Electrolytic capacitor $\frac{\square}{\square}$: Mounting Plate

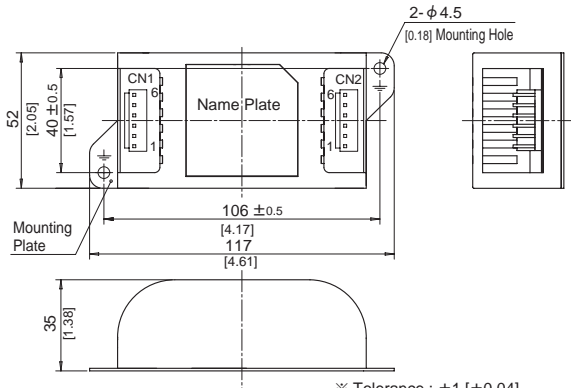
■ Expected life : 10 years

Derating Curve



External view

Standard Type



CN1		CN2	
Pin No.	Function	Pin No.	Function
1,2,3	-Vin	1,2,3	-Vout
4,5,6	+Vin	4,5,6	+Vout

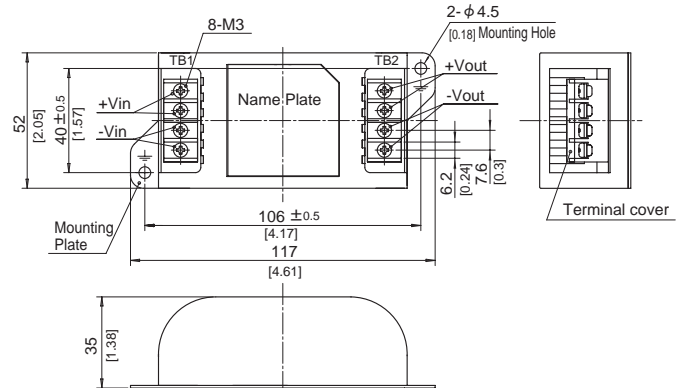
I/O Connector	Mating connector	Terminal
CN1,CN2	B6P-VH	VHR-6N
		Reel:SVH-21T-P1.1
		Bulk:BVH-21T-P1.1

- ※ Tolerance : ±1 [±0.04]
- ※ Weight : 140g max
- ※ PCB Material /thickness : CEM3 /1.6mm [0.06 inches]
- ※ Mounting plate : Iron (surface finishing : nickel plating) t=1.0 [0.04]
- ※ Case : PBT
- ※ Dimensions in mm, []=inches
- ※ Keeping drawing current per pin below 5A (7A at peak current) for CN1 to CN2

(Mfr:J.S.T)

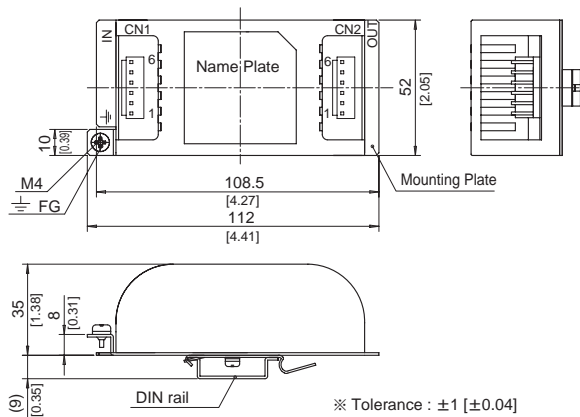
Option harness : Refer to Instruction Manual 4

Terminal block Type



- ※ Tolerance : ±1 [±0.04]
- ※ Weight : 150g max
- ※ PCB Material /thickness : CEM3 /1.6mm [0.06 inches]
- ※ Mounting plate : Iron (surface finishing : nickel plating) t=1.0 [0.04]
- ※ Case : PBT
- ※ Dimensions in mm, []=inches
- ※ Terminal block screw tightening torque M3:0.8N · m (8.5kgf · cm) max
- ※ Keeping drawing current per pin below 8A (10A at peak current) for TB1 to TB2

DIN rail installation Type



CN1		CN2	
Pin No.	Function	Pin No.	Function
1,2,3	-Vin	1,2,3	-Vout
4,5,6	+Vin	4,5,6	+Vout

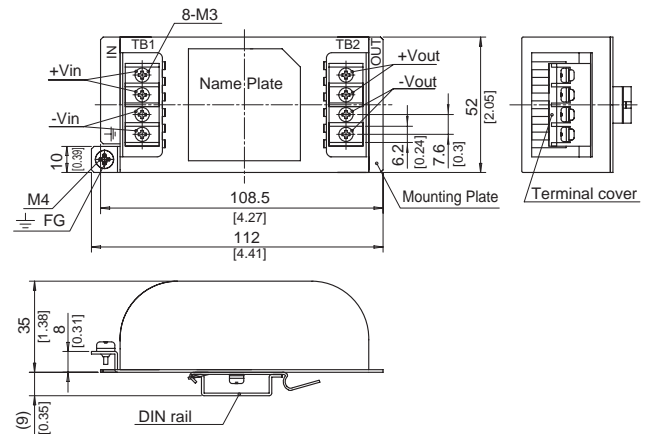
I/O Connector	Mating connector	Terminal
CN1,CN2	B6P-VH	VHR-6N
		Reel:SVH-21T-P1.1
		Bulk:BVH-21T-P1.1

- ※ Tolerance : ±1 [±0.04]
- ※ Weight : 150g max
- ※ PCB Material /thickness : CEM3 / 1.6mm [0.06 inches]
- ※ Mounting plate : Iron (surface finishing : nickel plating) t=1.0 [0.04]
- ※ Case : PBT
- ※ Dimensions in mm, []=inches
- ※ Keeping drawing current per pin below 5A (7A at peak current) for CN1 to CN2

(Mfr:J.S.T)

Option harness : Refer to Instruction Manual 4

Terminal block type+DIN rail installation Type



- ※ Tolerance : ±1 [±0.04]
- ※ Weight : 160g max
- ※ PCB Material /thickness : CEM3 /1.6mm [0.06 inches]
- ※ Mounting plate : Iron (surface finishing : nickel plating) t=1.0 [0.04]
- ※ Case : PBT
- ※ Dimensions in mm, []=inches
- ※ Terminal block screw tightening torque M3:0.8N · m (8.5kgf · cm) max
- ※ Keeping drawing current per pin below 8A (10A at peak current) for TB1 to TB2

■Note when installing the EM/EMC Filter on a DIN rail.

When the EM/EMC Filter is grounded through the DIN rail, the proper noise attenuation may not be achieved.

Be sure to connect the FG terminal of the EM/EMC Filter body to the earth.

